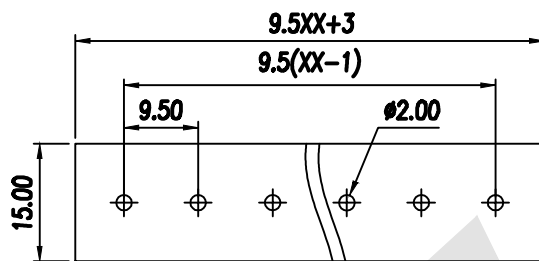


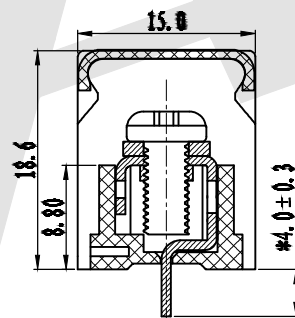
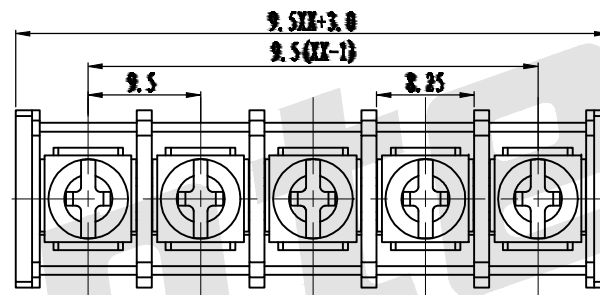
HSF



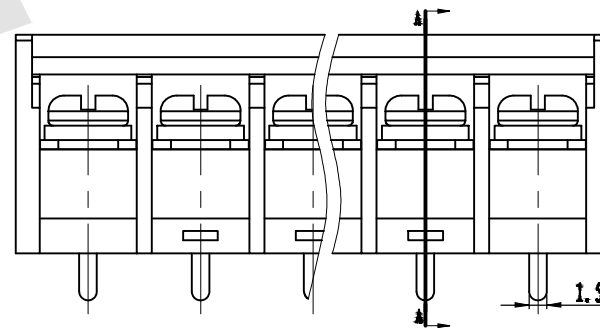
ROHS



P.C.B. LAYOUT



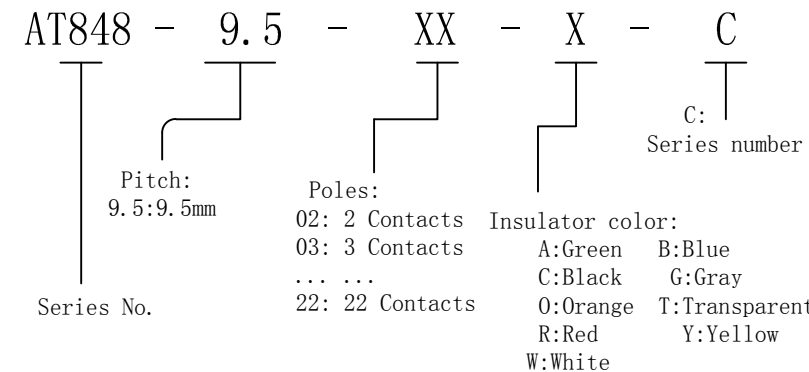
SECTION A-A



SPECIFICATION

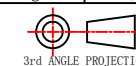
Standard(参考标准): UL IEC
 Voltage Rating(额定电压): 300V 450V
 Current Rating(额定电流): 20A 24A
 Wire range(使用线径): 22-12AWG 2.5mm²
 Withstanding voltage(耐电压): AC2000V/1Min
 Insulation resistance(绝缘电阻): 500MΩ/DC500V
 Temp Rang(温度范围): -40° C ~ +105° C
 Max Torque(最大锁紧力矩): 1.2Nm(10.6lb. in)
 Housing(塑件): PA66, UL94V-0
 Screw(螺丝): Steel, M4.0 Ni plated
 Terminal(端子): Brass.0.8t, Tin plated
 Pitch(间距): 9.5mm
 Poles(极数): 2P-22P

Ordering Code:



Unless Otherwise specified tolerance
 X. ±0.35 X.XX: ±0.20
 X.X: ±0.25 X.XXX: ±0.15

SCALE: As Shown UNIT: mm
 DRAW: Wu Sai DATE: 22/03/2018
 CHECK: BobYang DATE: 22/03/2018



Antenk® ANTENK ELECTRONICS CO., LTD
 Http://www.antenk.com
 E-mail:sales@antenk.com

TITLE: Barrier Terminal Block Pitch:9.5mm

DRAWING NO: AT848-9.5XXX-C
 PRODUCT NO: AT848-9.5XXX-C

REV	DESCRIPTION	DATE
1		
2		
3		
4		
5		