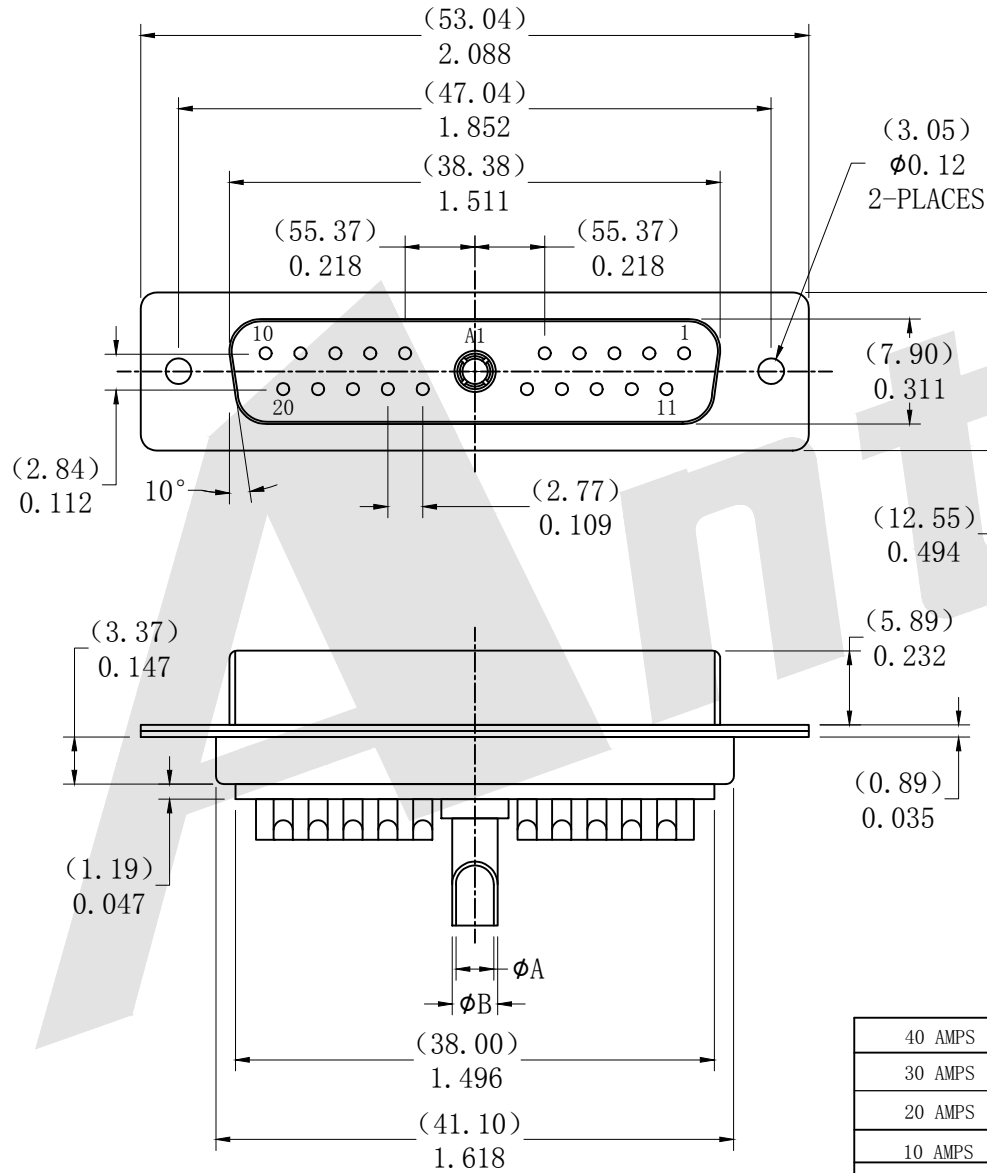
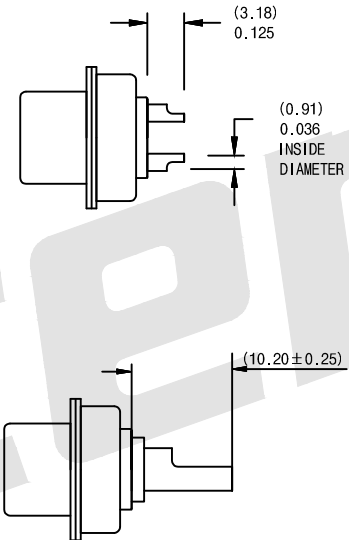


HSF



NOTE:
SIGNAL AND POWER CONTACTS
COME PRE-LOADED INTO INSULATORS



SPECIFICATIONS:

ELECTRICAL:
 INSULATOR RESISTANCE: 5,000 MegOHMS Min.
 DIELECTRIC WITHSTANDING: 1,000 VAC r.m.s.
 OPERATING TEMPERATURE: -55°C ~ +125°C
 CONTACT RESISTANCE: 30 MILLIOHMS Max.
 POWER PINS: SEE PART No. BELOW
 SIGNAL PINS: 3AMPS

MECHANICAL:
 CONTACT INSERTION FORCE: 4.5kg Max
 CONTACT SEPARATOR FORCE: 0.3kg Min

MATERIALS:
 CONTACTS: BRASS
 INSULATOR: PBT UL94V-0 RATED, 230°C PROCESS TEMP.

SHELL: STEEL
FINISH:
SHELL: NICKEL

Ordering Code:

PDB21W1 -F -G0 -B -20
 ① ② ③ ④ ⑤

- ① Series
- ② Contact Type:
M:Male F:Female
- ③ Contact NO. :
G0: Gold flash G1: 3u" Gold
G2: 5u" Gold G3: 10u" Gold
G4: 15u" Gold G5: 30u" Gold
- ④ Insulation Color Code:
B:Black L:Blue
W:White
- ⑤ Power AMP:
10 = 10AMPS; 20 = 20AMPS;
30 = 30AMPS; 40 = 40AMPS;

40 AMPS	$\phi 4.6$	$\phi 5.5$
30 AMPS	$\phi 3.4$	$\phi 4.4$
20 AMPS	$\phi 2.6$	$\phi 3.6$
10 AMPS	$\phi 1.75$	$\phi 2.54$
Current Rating	ϕA	ϕB
	Dimension	

Unless Otherwise specified tolerance
 X. XX: ±0.20 X. X: ±0.25 X. XXX: ±0.15

SCALE: As Shown UNIT: mm
 DRAW: Lv Xun Hua DATE: 27/05/2019
 CHECK: BobYang DATE: 27/05/2019



Antenk® ANTENK ELECTRONICS CO.,LTD
 Http://www.antenk.com
 E-mail:sales@antenk.com

TITLE:
POWER D-SUB 21W1 SOLDER CUP-FEMALE

DRAWING NO: PDB21W1-FXXX
 PRODUCT NO: PDB21W1-FXXX

REV	DESCRIPTION	DATE
1		
2		
3		
4		
5		