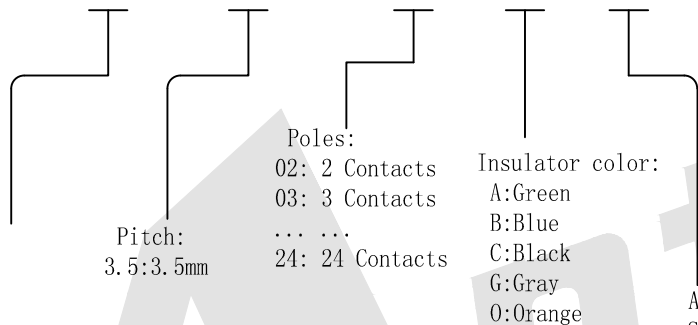


HSF



AT302R - 3.5 - XX - X - A

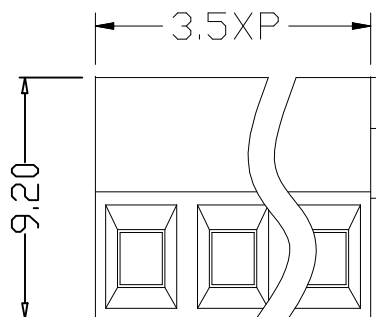
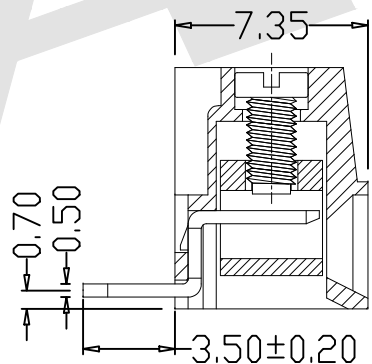
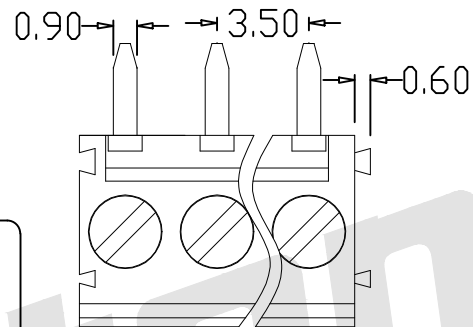


Pitch:
3.5:3.5mm

Poles:
02: 2 Contacts
03: 3 Contacts
... ..
24: 24 Contacts

Insulator color:
A:Green
B:Blue
C:Black
G:Gray
O:Orange

A:
Series No.



SPECIFICATION

Voltage Rating (额定电压): 130V

Current Rating (额定电流): 9A

Wire range (使用线径):
24-16AWG 1.5mm²

Housing (塑件):
PA66+23%GF, UL94V-0

Terminal (端子):
Brass, Tin-Plated (黄铜, 镀锡)

Screw (螺丝):
Steel, M2.0 Ni-Plated (钢, 镀镍)

Torque (扭力): 0.2N.m

Unless Otherwise specified tolerance
X. ±0.35 X.XX: ±0.20
X.X: ±0.25 X.XXX: ±0.15

SCALE:
As Shown UNIT: mm

DRAW
Wu Sai DATE 22/03/2018

CHECK
BobYang DATE 22/03/2018



Antenk ANTENK ELECTRONICS CO., LTD
Http://www.antenk.com
E-mail:sales@antenk.com

TITLE:
PCB Screw Terminal Block
Pitch:3.5

DRAWING NO: AT302R-3.5XXX-A

PRODUCT NO: AT302R-3.5XXX-A

Added A to the end of this code number

REV	DESCRIPTION	DATE

D

D