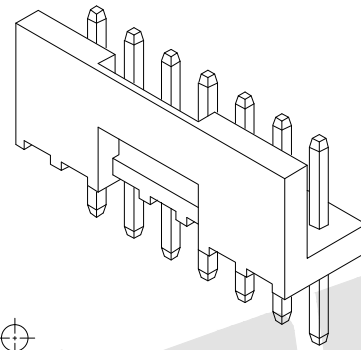


HSF



RoHS

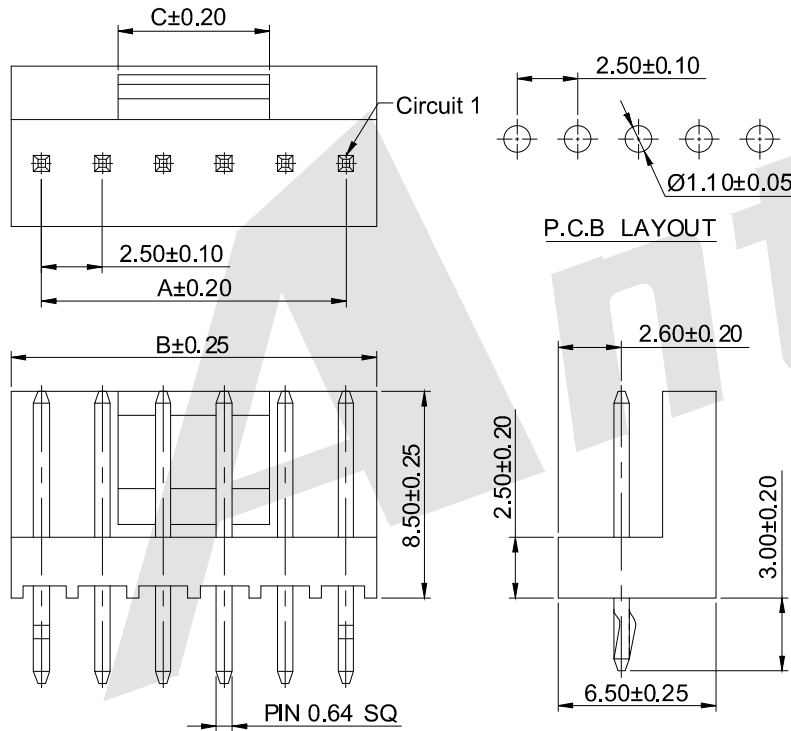


SPECIFICATIONS

- Voltage rating: 250V AC,DC
- Current rating: 3A AC,DC
- Withstanding Voltage: 1000V AC/minute
- Insulation resistance:1000MΩ min
- Temperature range: -40°C~+105°C

WAFER

- Part NO: AW2506V-xP
- Material: Pin: Brass/Tin over Nickel  
Insulator: Nylon 66, UL94V-0
- Mates with: AH2506 series Housing
- Color: White



P.C.B LAYOUT

Ordering Information & Dimensions

PART NO.	Dimensions		
	A	B	C
AW2506V-2P	2.50	5.00	2.20
AW2506V-3P	5.00	7.50	2.70
AW2506V-4P	7.50	10.00	5.20
AW2506V-5P	10.00	12.50	5.20
AW2506V-6P	12.50	15.00	6.20
AW2506V-7P	15.00	17.50	8.20
AW2506V-8P	17.50	20.00	10.20
AW2506V-9P	20.00	22.50	10.20
AW2506V-10P	22.50	25.00	10.20
AW2506V-11P	25.00	27.50	11.20
AW2506V-12P	27.50	30.00	11.20
AW2506V-13P	30.00	32.50	13.20
AW2506V-14P	32.50	35.00	13.20
AW2506V-15P	35.00	38.50	13.20

Unit: mm

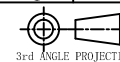
Unless Otherwise specified tolerance  
 X. ±0.35 X.XX: ±0.20  
 X.X: ±0.25 X.XXX: ±0.15



ANTENK ELECTRONICS CO.,LTD  
[Http://www.antenk.com](http://www.antenk.com)  
 E-mail:sales@antenk.com

SCALE: As Shown	UNIT: mm
DRAW Jack Bao	DATE 5/3/2018
CHECK Bob Yang	DATE 5/3/2018

TITLE: 2.5mm pitch 180° Wafer Connector Series



DRAWING NO: AW2506V-xP

PRODUCT NO: AW2506V-xP

REV	DESCRIPTION	DATE

