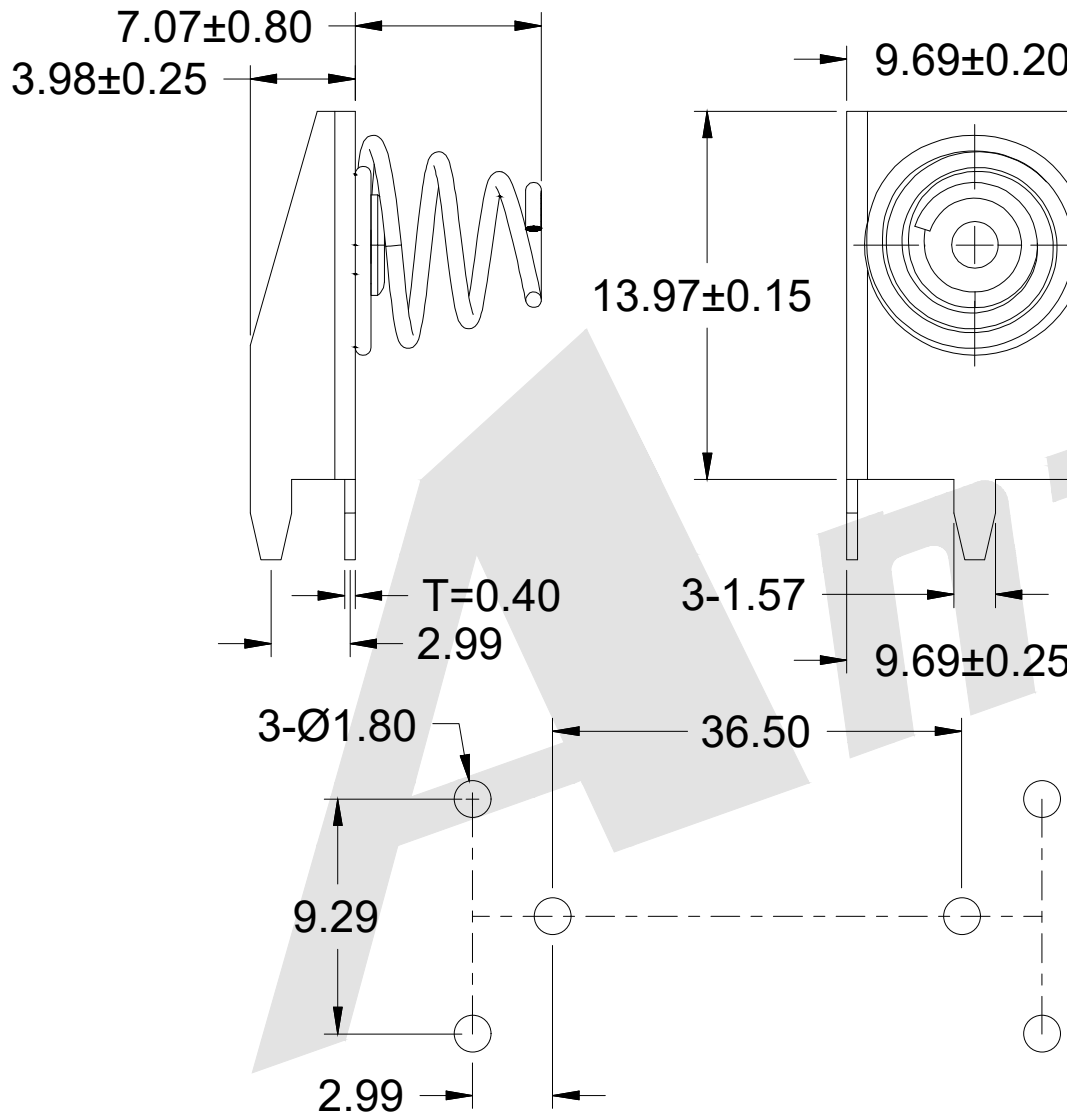


HSF



NOTES:

- 1.SPRING CONTACT:Ø=0.60 MUSIC WIRE
- 2.RoHS COMPLIANT
- 3.500PCS/BAG
- 4.Mate with 595

Order code:

BS - S - NI - B - 628
 ① ② ③ ④ ⑤

- ① BS: Battery contacts
- ② Apperance for the product

S: 180 TYPE

- ③ Contact Plating
 NI: NICKEL Plated
 SN: Tin
 GO: Gold flash
 G1: 3U" Gold
 G2: 5U" Gold
 G3: 10U" Gold
 G4: 15U" Gold
 G5: 30U" Gold
- ④ Packing method
 B: BAG

- ⑤ Product number:
628

FOR "CR123A" MOUNTING DETAIL

Unless Otherwise specified tolerance
 X.±0.35 X.XX:±0.20
 X.X:±0.25 X.XXX:±0.15

SCALE: As Shown UNIT: mm
 DRAW ZLA DATE 06/19/2023
 CHECK BobYang DATE 06/19/2023

VER./版本号

 3rd ANGLE PROJECTION

Antenk ANTENK ELECTRONICS CO.,LTD
[Http://www.antenk.com](http://www.antenk.com)
 E-mail:sales@antenk.com

TITLE: CR123A NEGATIVE BATTERY CONTACT

DRAWING NO: BS-S-NI-B-628

PRODUCT NO: BS-S-NI-B-628

MK/标记	DESCRIPTION/修订内容	DATE/日期(M/D/Y)
-------	------------------	----------------