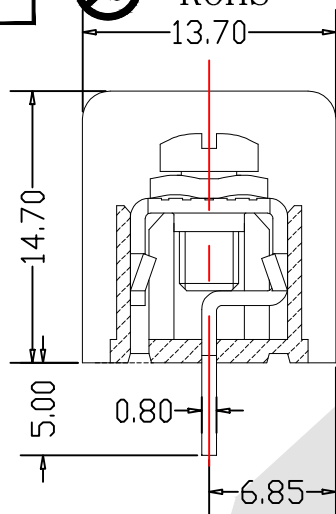
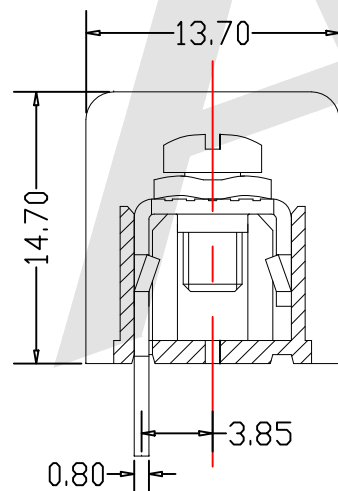
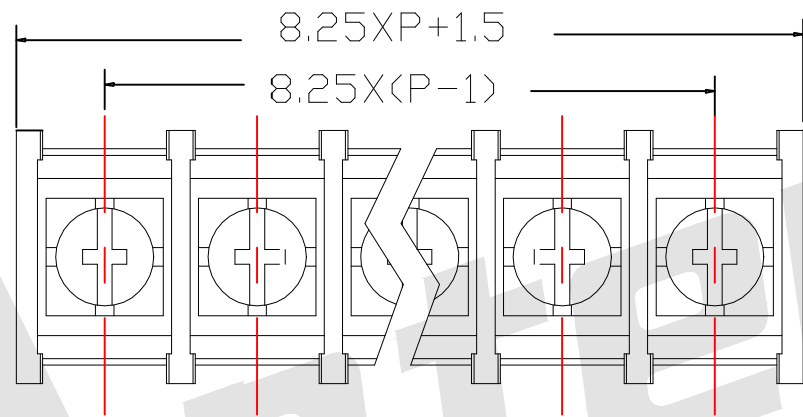


HSF

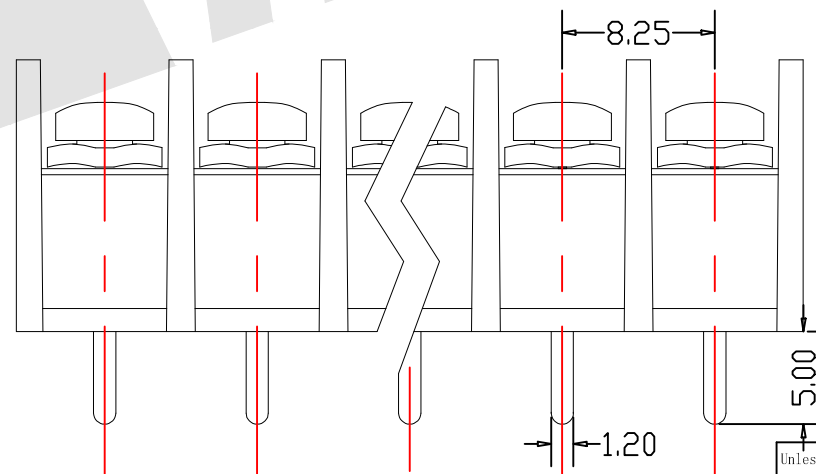
RoHS



Type: A



Type: C



SPECIFICATION

Voltage Rating (额定电压): 300V
 Current Rating (额定电流): 15A
 Wire range (使用线径): 22-12AWG 2.5mm²
 Housing (塑件): PA66+23%GF, UL94V-0
 Terminal (端子):
 Brass. Tin Plated (黄铜, 镀锡)
 Screw (螺丝):
 Steel, M3.0 Ni-Plated (钢, 镀锌)
 Torque (扭力): 0.8N.m

Ordering Code:

AT835 - 8.25 - XX - X - X - AC

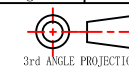
Pitch: 8.25: 8.25mm
 Poles: 02: 2 Contacts, 03: 3 Contacts,, 32: 32 Contacts
 Option: A: TypeA, C: TypeC
 Insulator color: A: Green, B: Blue, C: Black, G: Gray, 0: Orange, AC: Series number.

Unless Otherwise specified tolerance
 X. ±0.35 X.XX: ±0.20
 X.X: ±0.25 X.XXX: ±0.15

Antenk® ANTENK ELECTRONICS CO., LTD
[Http://www.antenk.com](http://www.antenk.com)
 E-mail: sales@antenk.com

SCALE: As Shown UNIT: mm
 DRAW: Wu Sai DATE: 22/03/2018
 CHECK: BobYang DATE: 22/03/2018

TITLE: Barrier Terminal Block Pitch: 8.25mm



DRAWING NO: AT835-8.25XXX-AC

PRODUCT NO: AT835-8.25XXX-AC

REV	DESCRIPTION	DATE
1		
2		
3		
4		
5		