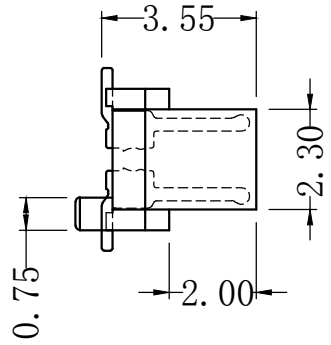
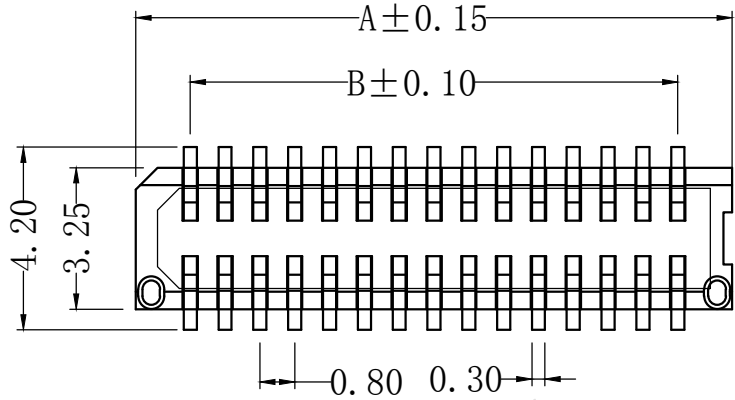


HSF  RoHS



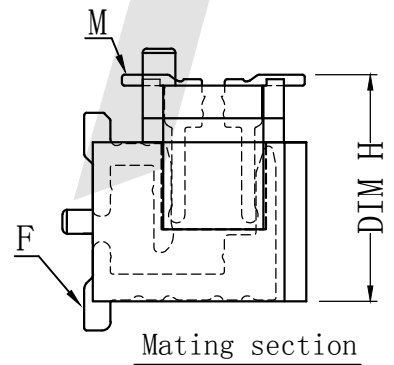
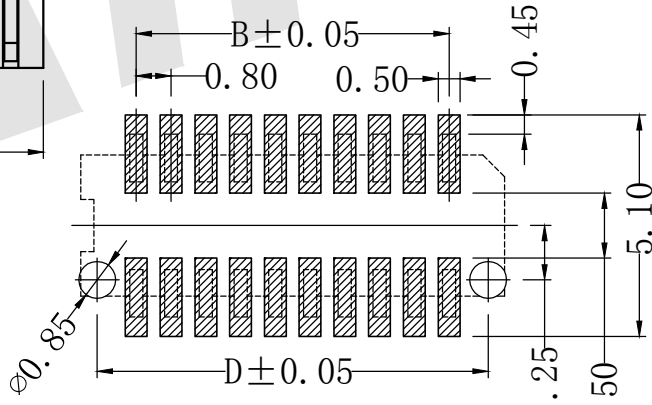
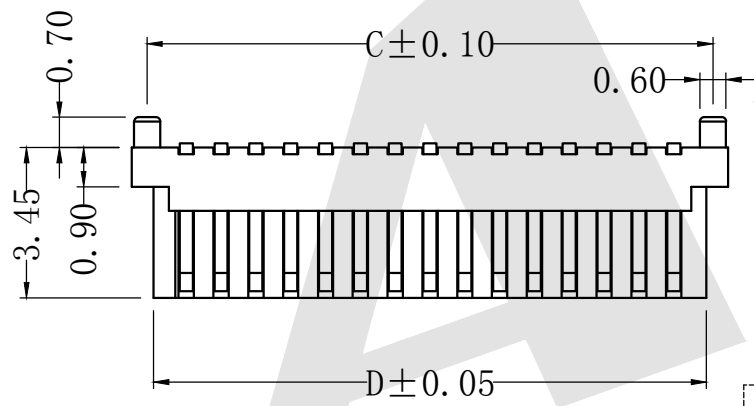
NO. of Contacts	Dimensions			
	A	B	D	C
4	3.35	0.80	2.35	2.60
6	4.15	1.60	3.15	3.40
8	4.95	2.40	3.95	4.20
10	5.75	3.20	4.75	5.00
12	6.55	4.00	5.55	5.80
14	7.35	4.80	6.35	6.60
16	8.15	5.60	7.15	7.40
18	8.95	6.40	7.95	8.20
20	9.75	7.20	8.75	9.00
22	10.55	8.00	9.55	9.80
24	11.35	8.80	10.35	10.60
26	12.15	9.60	11.15	11.40
28	12.95	10.40	11.95	12.20
30	13.75	11.20	12.75	13.00
32	14.55	12.00	13.55	13.80
34	15.35	12.80	14.35	14.60
36	16.15	13.60	15.15	15.40
38	16.95	14.40	15.95	16.20
40	17.75	15.20	16.75	17.00
42	18.55	16.00	17.55	17.80
44	19.35	16.80	18.35	18.60
46	20.15	17.60	19.15	19.40
48	20.95	18.40	19.95	20.20
50	21.75	19.20	20.75	21.00
52	22.55	20.00	21.55	21.80

- 1: Specification
- a.1 Current rating:0.5A AC/DC
 - a.2 Voltage rating:50v AC/DC
 - a.3 Contact resistance:20m milliohms max
 - a.4 Insulation Resistance:100Mega ohmsmin
 - a.5 Withstanding voltage:500vAC/minute
 - a.6 Temperature range:-25° cto+80° c

2. Material and plating
- b.1 Insulator:pa9t. piastic (u194v-0)
 - b.2 Contact:Brass
 - b.3 Finish:Gold plated

Ordering Code:
 BB0.8 - M - X - X - X - X - 01
 ① ② ③ ④ ⑤ ⑥ ⑦

- ① Series NO:
0.8mm Board to Board connector
- ② M:Male F:Female
- ③ mating Height:
H:4.5=4.50mm
H:5.0=5.00mm
H:5.2=5.20mm
- ④ NO. of contacts:
see table
For example
24:24poles
- ⑤ Contact Plating
G0: Gold flash
G1: 3u" Gold
G2: 5u" Gold
G3: 10u" Gold
G4: 15u" Gold
G5: 30u" Gold
SN: Tin
- ⑥ Packing
T:Tube A:Tray
B:Bag U:Tube+CAP
R:tape&Reel
W:tape&Reel+CAP
- ⑦ serial number: 01



Recommended PCB pattern dim
 Tolerance: ±0.05

Unless Otherwise specified tolerance

X. ±0.35	X.XX: ±0.20
X.X: ±0.25	X.XXX: ±0.15

SCALE: As Shown	UNIT: mm
DRAW Mo Guo Xuan	DATE 12/11/2018
CHECK BobYang	DATE 12/11/2018

 ANTENK ELECTRONICS CO., LTD
[Http://www.antenk.com](http://www.antenk.com)
 E-mail:sales@antenk.com

TITLE: 0.8mm Board to Board connector, male, mating Height=4.5~5.2mm

DRAWING NO: BB0.8M-XXXX01
 PRODUCT NO: BB0.8M-XXXX01

REV	DESCRIPTION	DATE
1		
2		
3		
4		
5		

