

HSF



Material:  
Base: PA46+30%GF,BLACK,UL94V-0;  
CONTACT:0.3MM THK STAINLESS STEEL  
FINISH:BRIGHT TIN 200U" OVER NICKEL 50U"

BBC - S - SN - A - 097P

① ② ③ ④ ⑤

① BBC: Battery Holder 电池盒  
② Apperance for the product 连接形式

S:180°

③ Contact Plating 端子电镀

SI: Tin NICKEL Plated 锡镍合金

G2: 5U" Gold 金

SN: Tin 锡

G3: 10U" Gold 金

GO: Gold flash 普金

G4: 15U" Gold 金

G1: 3U" Gold 金

G5: 30U" Gold 金

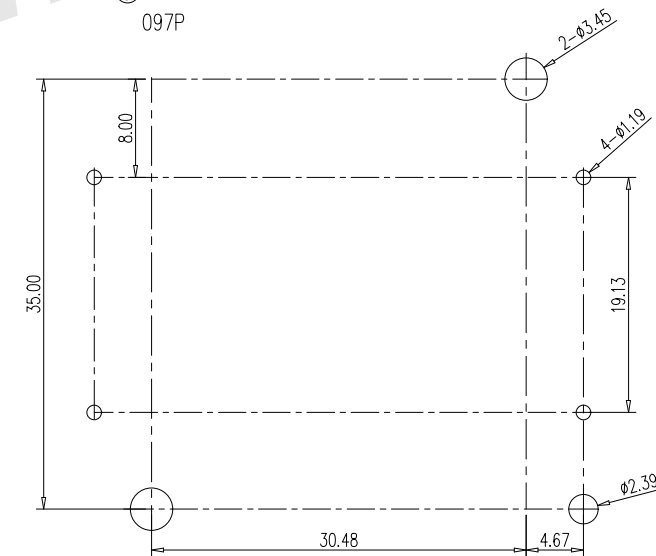
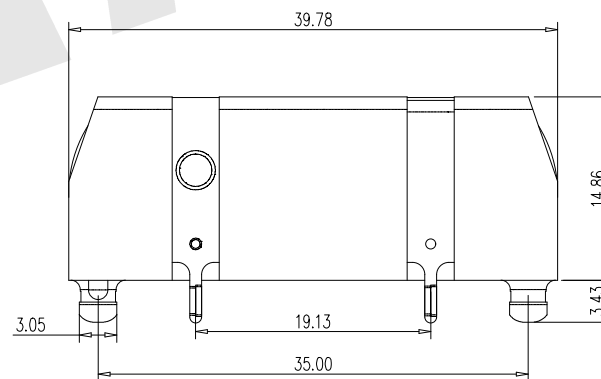
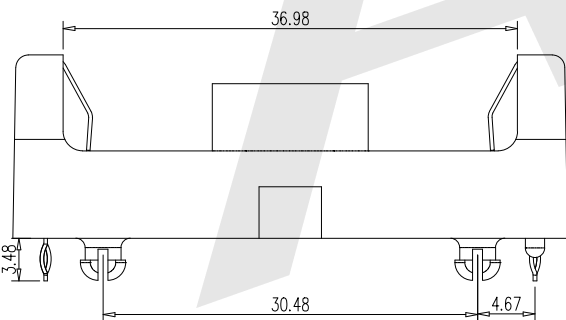
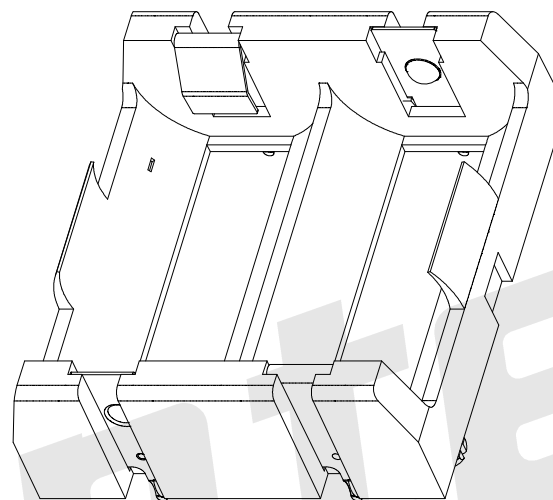
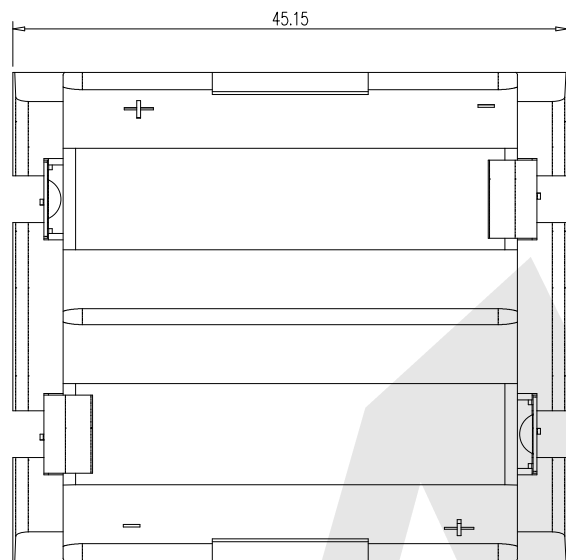
④ Packing method 包装方式

A: Tray packing 吸塑盒装

B: BAG 袋装

⑤ Product number 产品编号

097P



Unless Otherwise specified tolerance  
X.±0.35 X.XX:±0.20  
X.X:±0.25 X.XXX:±0.15

SCALE: As Shown UNIT: mm  
DRAW YH DATE 01/02/2024  
CHECK BobYang DATE 01/02/2024

VER./版本号 3rd ANGLE PROJECTION

Antenk® ANTENK ELECTRONICS CO.,LTD  
Http://www.antenk.com  
E-mail:sales@antenk.com

TITLE: Dual Battery Holder For 18350 THM

DRAWING NO: BBC-S-SN-A-097P

PRODUCT NO: BBC-S-SN-A-097P

MK/标记	DESCRIPTION/修订内容	DATE/日期(M/D/Y)
1	2	3