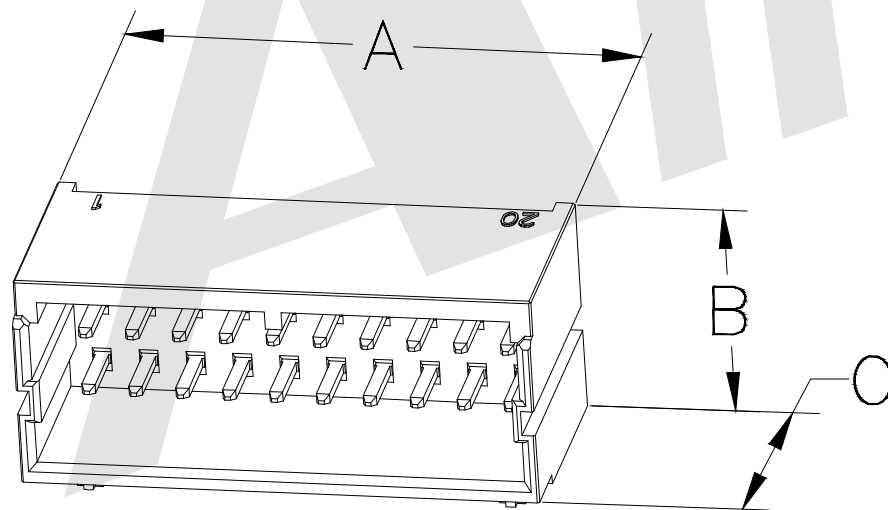
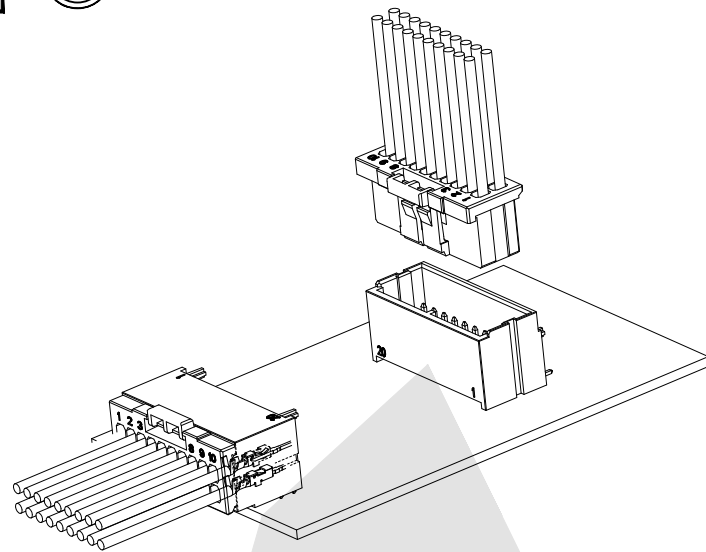


HSF



RoHS



Specifications

Voltage rating: 250V AC/DC
 Rated insulation voltage: 1500V AC/DC
 Temperature range: -55°C to +105°C
 Applicable wire: AWG #30 to #18
 *Compliant with RoHS:
 Current rating: Unit: A

AWG	18	20	22	24	26	28	30
A	5	4	3	2.5	2	1.5	1

Pin	A	B	C
4	7.6	12.5	11.3
6	10.1	12.5	11.3
8	12.6	12.5	11.3
10	15.1	12.5	11.3
12	17.6	12.5	11.3
14	20.1	12.5	11.3
16	22.6	12.5	11.3
18	25.1	12.5	11.3
20	27.6	12.5	11.3
22	30.1	12.5	11.3
24	32.6	12.5	11.3
26	35.1	12.5	11.3
28	37.6	12.5	11.3
30	40.1	12.5	11.3

Odering Information:

AW2516R-XP-**

① ②

① Part No.

② Color:
(Blank)-White
BK-Black

Unless Otherwise specified tolerance
 X.±0.35 X.XX:±0.20
 X.X:±0.25 X.XXX:±0.15

SCALE: As Shown UNIT: mm
 DRAW ZLA DATE 08/06/2022
 CHECK BobYang DATE 08/06/2022



Antenk® ANTENK ELECTRONICS CO.,LTD
 Http://www.antenk.com
 E-mail:sales@antenk.com

TITLE:
2.5mm pitch 90° DIP wafer connector board side

DRAWING NO: AW2516R-XP

PRODUCT NO: AW2516R-XP

REV	DESCRIPTION	DATE