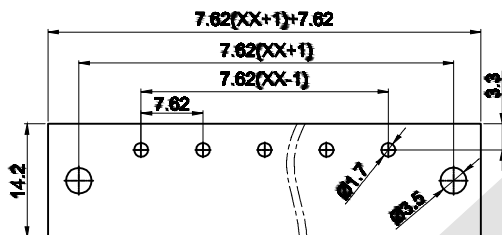
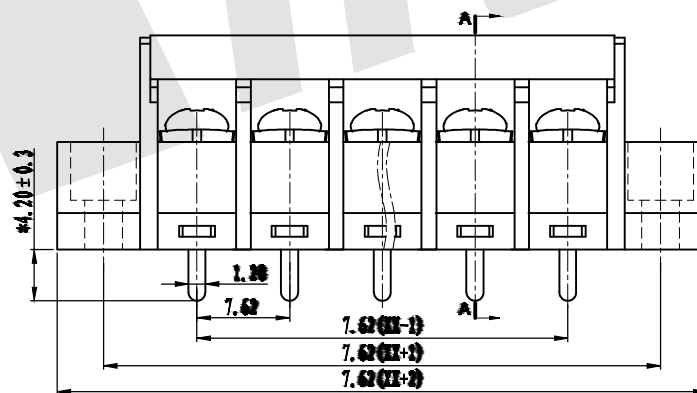
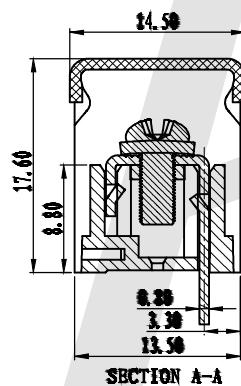
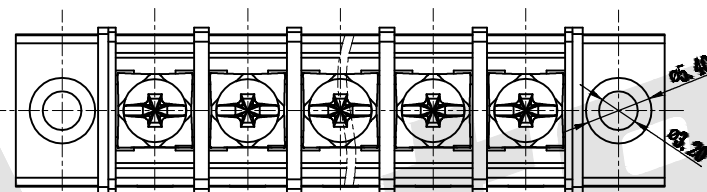


HSF



P.C.B. LAYOUT

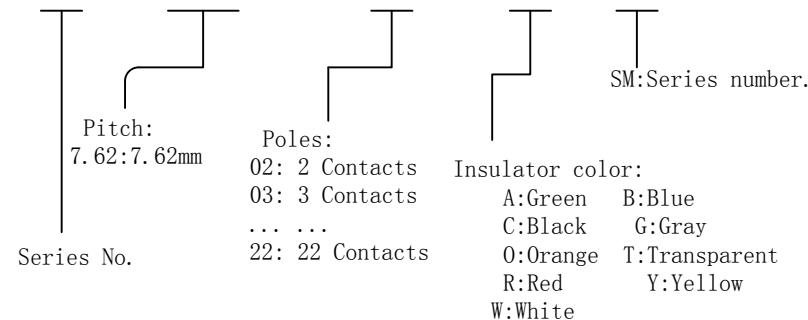


SPECIFICATION

Standard(参考标准): UL IEC
 Voltage Rating (额定电压): 300V 450V
 Current Rating(额定电流): 15A 17.5A
 Wire range(使用线径): 22-14AWG 1.5mm²
 Withstanding voltage(耐电压): AC2000V/1Min
 Insulation resistance(绝缘电阻): 500MΩ/DC500V
 Temp Rang(温度范围): -40° C ~ +105° C
 Max Torque(最大锁紧力矩): 0.5Nm(4.5lb. in)
 Housing(塑件): PA66, UL94V-0
 Screw(螺丝): Steel, M3.0 Ni-Plated
 Terminal(端子): Brass.0.8t, Tin Plated
 Pitch(间距): 7.62mm
 Poles(极数): 2P-24P

Ordering Code:

AT828 - 7.62 - XX - X - SM



Unless Otherwise specified tolerance
 X. ±0.35 X.XX: ±0.20
 X.X: ±0.25 X.XXX: ±0.15

Antenk® ANTENK ELECTRONICS CO., LTD
 Http://www.antenk.com
 E-mail:sales@antenk.com

SCALE: As Shown UNIT: mm
 DRAW: Wu Sai DATE: 22/03/2018
 CHECK: BobYang DATE: 22/03/2018

TITLE:
 Barrier Terminal Block Pitch:7.62mm



DRAWING NO: AT828-7.62XXX-SM
 PRODUCT NO: AT828-7.62XXX-SM

REV	DESCRIPTION	DATE
1		
2		
3		
4		
5		