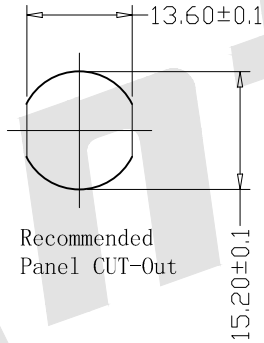
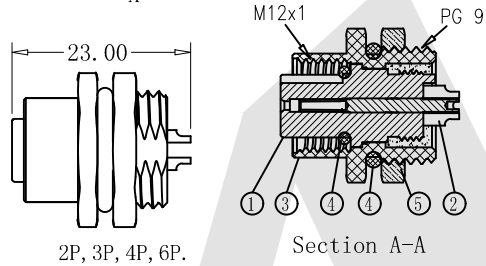
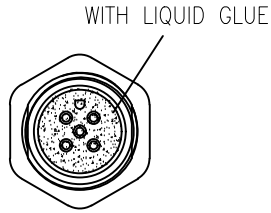
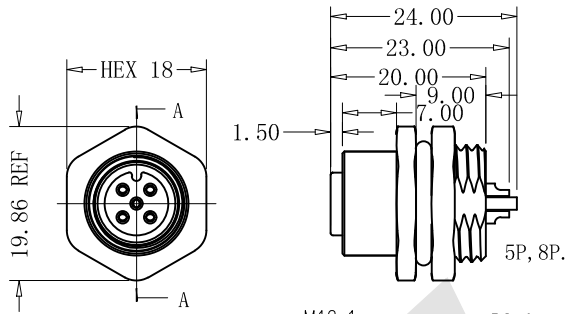


HSF



3D View

Notes:

- Waterproof rate: IP68
IP68: Immersed in 1M water for 24 hours
- Electrical characteristics
Temperature range: -40° C to +100° C
2~5P rating: 60V AC/DC 5A
6~8P rating: 60V AC/DC 2A
Dielectric withstanding voltage: 500V AC for one minute
- For panel thickness Max of 4.0mm

Order Code:

M12 - D - XP - F - 111
① ② ③ ④ ⑤

- Type of M series: M12
- Code option: D Code
- NO. of PINS: 02~08
- Gender option: Female
- Series number: 111

M12-D-02P -F-111	
M12-D-03P -F-111	
M12-D-04P -F-111	
M12-D-05P -F-111	
M12-D-06P -F-111	
M12-D-08P -F-111	
P/N	PIN ASSIGNMENTS FRONT VIEW

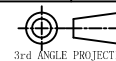
5	Nut	Copper alloy	Nickel plating 60u	1
4	Waterproof ring	Silicone ∅10*1.5/∅16*2.0	Red	2
3	Shell	Copper alloy	Nickel plating 60u	1
2	Female PIN	Copper alloy	Gold plating 3u	2~8
1	Plastic core	Nylon UL94 V-0	Black	1
NO.	ITEM	MATERIALS	SURFACE	QUANTITY

Unless Otherwise specified tolerance
X. ±0.35 X.XX: ±0.20
X.X: ±0.25 X.XXX: ±0.15

SCALE: As Shown UNIT: mm

DRAW ZLA DATE 07/04/2022

CHECK BobYang DATE 07/04/2022



Antenk ANTENK ELECTRONICS CO., LTD
Http://www.antenk.com
E-mail:sales@antenk.com

TITLE:
M12 2~8P Female Lock Back PG9 A Code
Solder Type

DRAWING NO: M12-D-XP-F-111

PRODUCT NO: M12-D-XP-F-111

REV	DESCRIPTION	DATE
1		