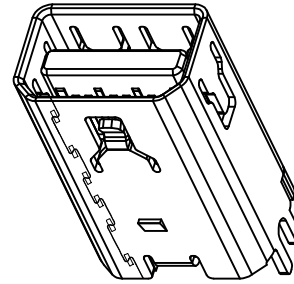
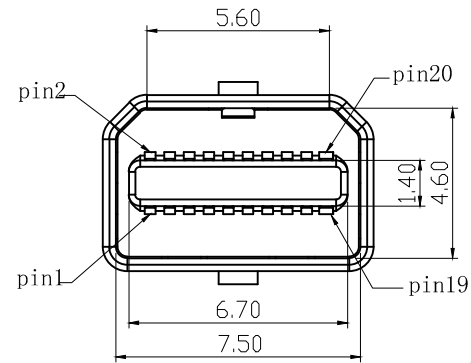


HSF

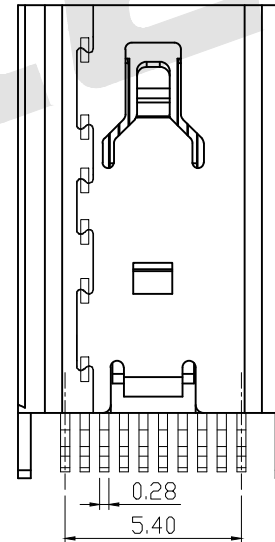
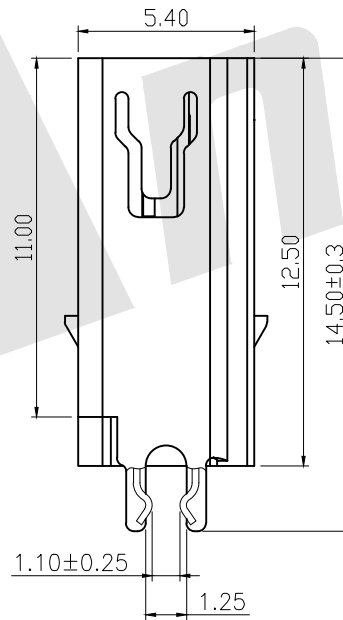
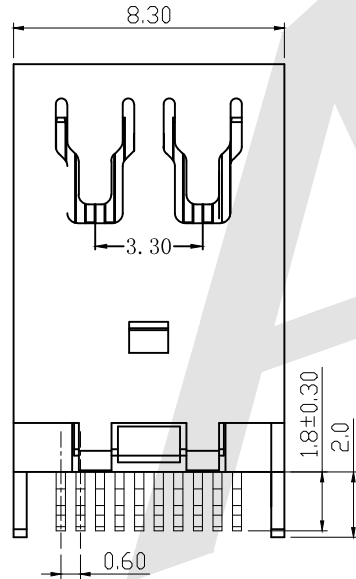


ROHS



NOTES:

*Material
 Body and sheath: LCP UL94V-0
 Insert (Molding): LCPF UL94V-0
 Color: Black
 Contact: C5191;
 Plating: Gold plating over Nickel(40~80u'') on contact area, Tin(100~250u'') Plating on Solder Tail.
 Shell: Brass;
 Plating: Nickle(30~80u'') Plating.
 *Electrical Specification
 Current Rating: 0.5 Ampere per contact
 Contact Resistance: 30 mΩ max.
 Insulation Resistance: 100MΩ Min
 Dielectric Withstanding Voltage: 300V AC Min
 *Environmental
 Operating Temperature: -40°C to +85°C.



Ordering Code:

MDP - F - X - X - 06
 ① ② ③ ④ ⑤

- ① Series No:
- ② Male/female:
F: female
- ③ Contact Plating:
1: Selective 1u"
2: Selective 3u"
3: Selective 5u"
4: Selective 15u"
5: Selective 30u"
6: All Gold
- ④ Shell Plating:
1: Nickel Plated
2: Tin-Nickel Plated
3: Gold Plated
- ⑤ series number:
06

Unless Otherwise specified tolerance

X. ±0.35 X.XX: ±0.20
 X.X: ±0.25 X.XXX: ±0.15

SCALE: As Shown UNIT: mm

DRAW ZLA DATE 24/03/2022

CHECK BobYang DATE 24/03/2022



Antenk ANTENK ELECTRONICS CO., LTD
 Http://www.antenk.com
 E-mail: sales@antenk.com

TITLE: Mini Display Port Receptacle (straddle 1.2mm type)

DRAWING NO: MDP-F-X-X-06

PRODUCT NO: MDP-F-X-X-06

REV DESCRIPTION

DATE

1 2 3 4 5 6 7 8