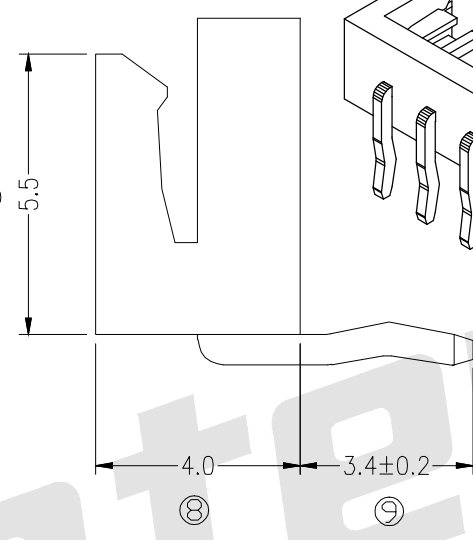
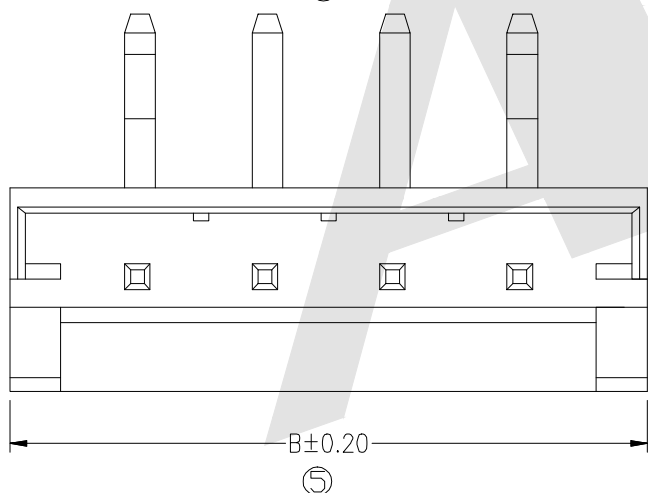
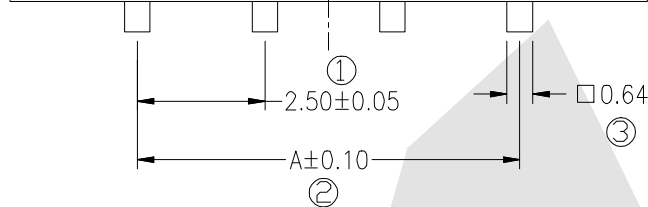
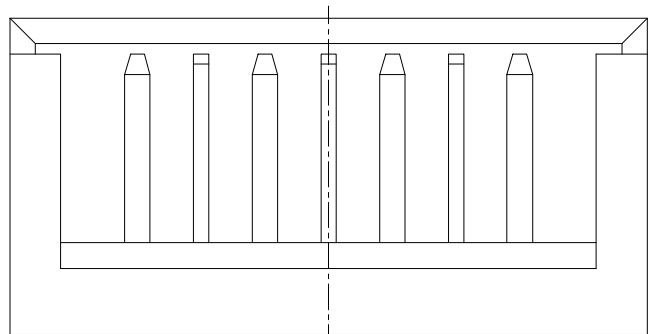


HSF



ROHS



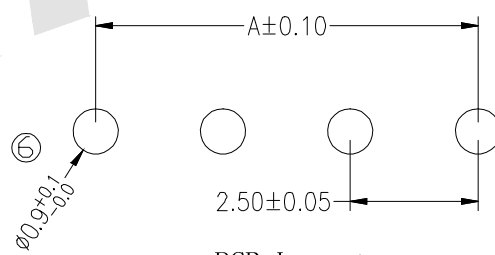
SPECIFICATIONS

- Poles: 2-15
  - Applicable: AWG#30-#22
  - Voltage rating: 250V AC, DC
  - Current rating: 3A AC, DC
  - Withstanding Voltage: 800V AC/minute
  - Temperature range: -25°C~+85°C
  - Insulation resistance: 1000MΩ min
  - Contact resistance: 0.02 Ω
- WAFER
- Part NO: AW2502VR-xP
  - Material: Pin: Brass/Tin over Nickel  
Insulator: PA66, UL94V-0
  - PACKAGE: BAG Package

Ordering Information & Dimensions

PART NO.	Dimensions	
	A	B
AW2502VR-2P	2.50	7.50
AW2502VR-3P	5.00	10.00
AW2502VR-4P	7.50	12.50
AW2502VR-5P	10.00	15.00
AW2502VR-6P	12.50	17.50
AW2502VR-7P	15.00	20.00
AW2502VR-8P	17.50	22.50
AW2502VR-9P	20.00	25.00
AW2502VR-10P	22.50	27.50
AW2502VR-11P	25.00	30.00
AW2502VR-12P	27.50	32.50
AW2502VR-13P	30.00	35.00
AW2502VR-14P	32.50	37.50
AW2502VR-15P	35.00	40.00

PCB Layout



Unless otherwise specified tolerance  
 X. ±0.35 X.XX: ±0.20  
 X.X: ±0.25 X.XXX: ±0.15

SCALE: As Shown	UNIT: mm
DRAW Lv Xun Hua	DATE 22/04/2019
CHECK Bob Yang	DATE 22/04/2019

**Antenk**® ANTENK ELECTRONICS CO., LTD  
[Http://www.antenk.com](http://www.antenk.com)  
 E-mail:sales@antenk.com

TITLE: 2.5mm pitch 90° Wafer Connector Series

DRAWING NO: AW2502VR-xP

PRODUCT NO: AW2502VR-xP



REV	DESCRIPTION	DATE