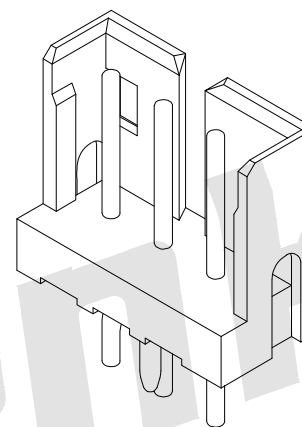
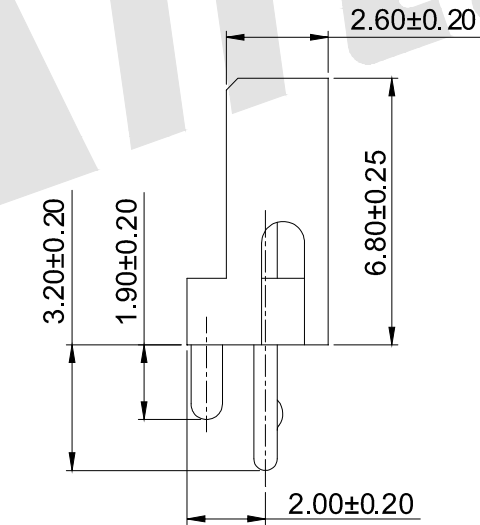
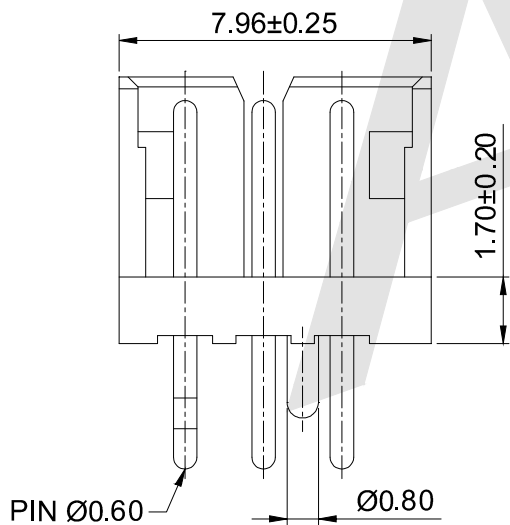
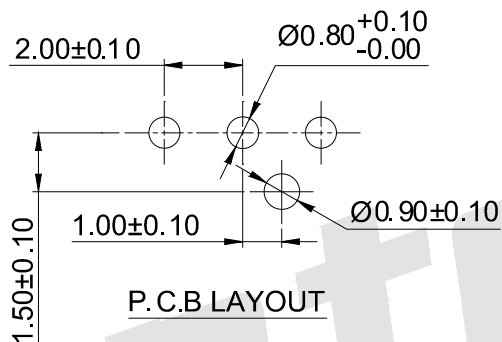
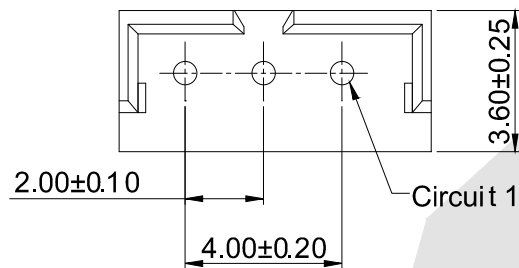


HSF



SPECIFICATIONS

- Voltage rating: 125V AC,DC
- Current rating: 4A, AC, DC
- Withstanding Voltage: 1000V AC/minute
- Insulation resistance: 1000MΩ min
- Temperature range: -40°C~+105°C

WAFER

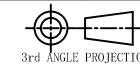
- Part NO: AW2007V-F-3P
- Material: Pin: Brass/Tin over Nickel
Insulator: Nylon 66, UL94V-0
- Mates with: AH2007 series Housing
- Color: White

Unless Otherwise specified tolerance
 X. ±0.35 X.XX: ±0.20
 X.X: ±0.25 X.XXX: ±0.15

Antenk ANTENK ELECTRONICS CO., LTD
[Http://www.antenk.com](http://www.antenk.com)
 E-mail:sales@antenk.com

SCALE: As Shown	UNIT: mm
DRAW Jack Bao	DATE 10/21/2017
CHECK Bob Yang	DATE 10/21/2017

TITLE: 2.00mm pitch 180° Wafer With Foot Connector Series



DRAWING NO: AW2007V-F-3P

PRODUCT NO: AW2007V-F-3P

REV	DESCRIPTION	DATE
1		
2		
3		
4		
5		