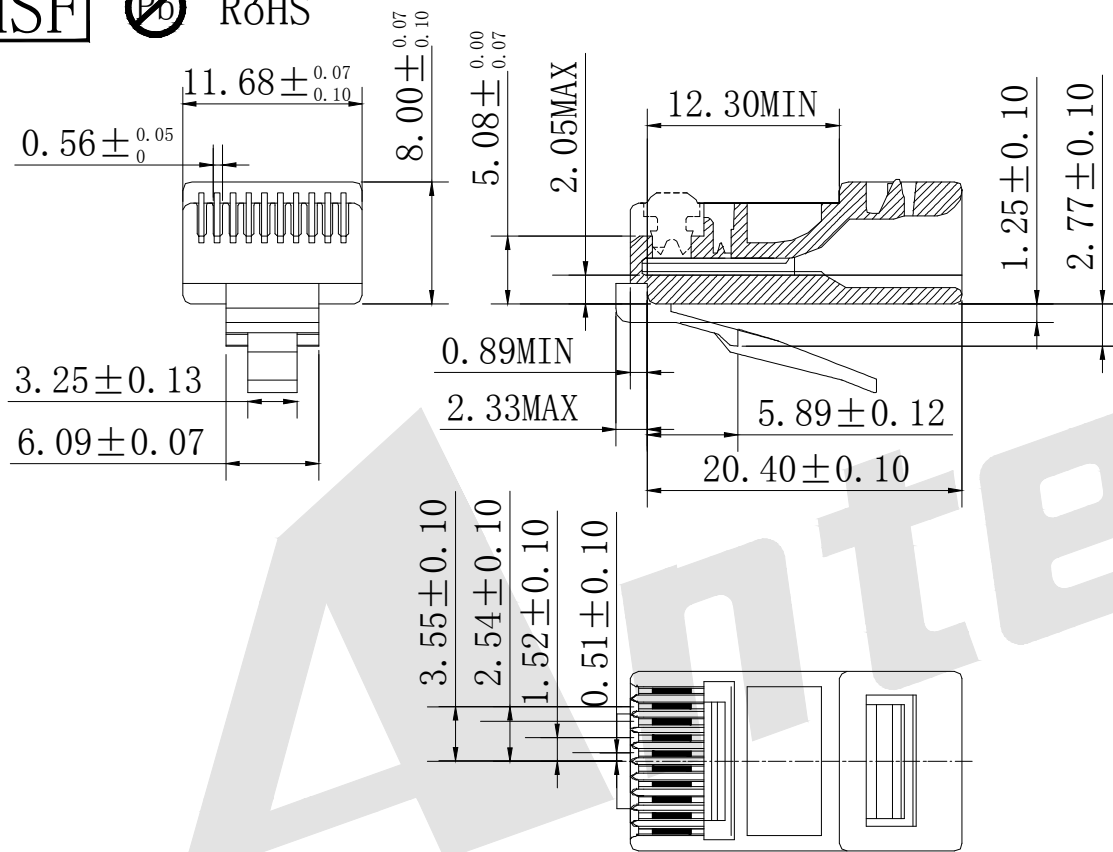


HSF



1. Electrical Test:

- A: 250V AC max at 2 Amps
- B: Dielectric with standing 500volts AC
- C: Insulation Resistance: 500 mega Ω
- D: Termination Resistance: 35 mega Ω

2. Mechanical:

- A: Cable to Plug tensile strength 20LBs (89N) min
- B: Durability: 1000 mating cycles

Ordering Code:

ATRP10P10C - X - A - X - 001

①

②

③

④

⑤

1. Series:

2. Housing Material:

- A: UL 94V-0
- B: UL 94V-2

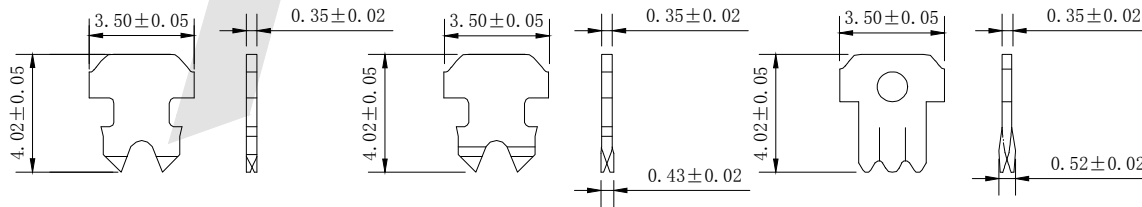
3. Contact Type:

- A: 2 Prongs for stranded wire
- B: 2 prongs for solid wire (SS)
- C: 3 prongs for solid wire (S)

4. Gold plating :

- A: 1u" B: 3u"
- C: 6u" D: 15u"
- E: 30u" F: 50u"

5. Serial number:



A: 2 Prongs for stranded wire

B: 2 prongs for solid wire (SS)

C: 3 prongs for solid wire (S)

Unless Otherwise specified tolerance  
 X. ±0.35 X.XX: ±0.20  
 X.X: ±0.25 X.XXX: ±0.15



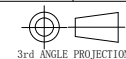
ANTENK ELECTRONICS CO., LTD  
[Http://www.antenk.com](http://www.antenk.com)  
 E-mail: sales@antenk.com

SCALE: As Shown	UNIT: mm
DRAW Wu Feng Rong	DATE 17/09/2019
CHECK BobYang	DATE 17/09/2019

TITLE:  
 Plug 10P10C Serial shielded Type

DRAWING NO: ATRP10P10C-XAX-001

PRODUCT NO: ATRP10P10C-XAX-001



D

D

REV	DESCRIPTION	DATE
1		
2		
3		
4		
5		