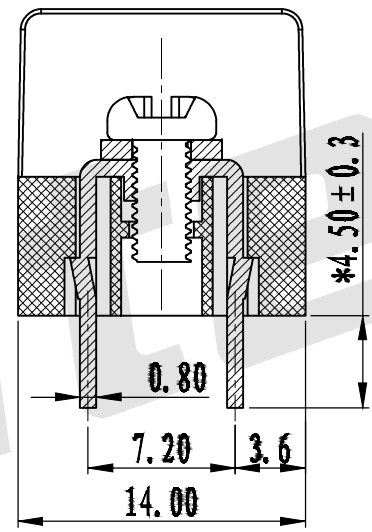
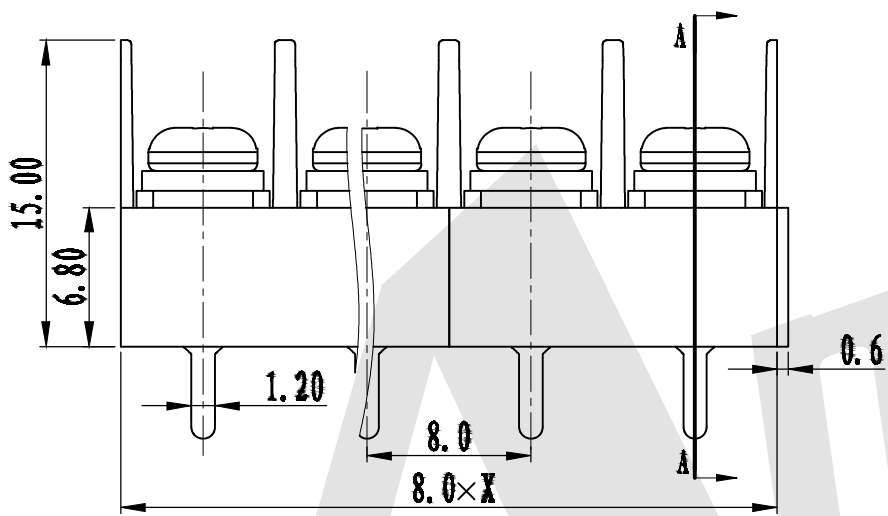


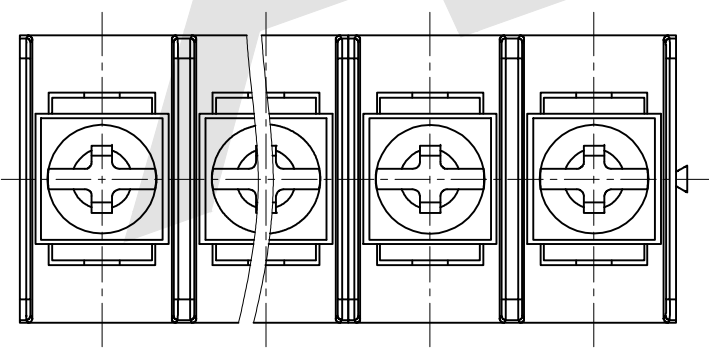
HSF



ROHS



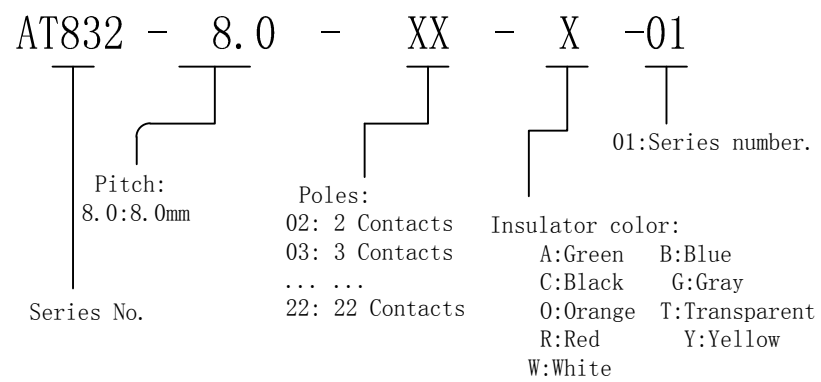
SECTION A-A



SPECIFICATION

Standard(参考标准): UL IEC  
 Voltage Rating (额定电压): 300V 450V  
 Current Rating(额定电流): 15A 24A  
 Wire range(使用线径): 22-14AWG 2.5mm<sup>2</sup>  
 Withstanding voltage(耐电压): AC2000V/1Min  
 Insulation resistance(绝缘电阻): 500MΩ/DC500V  
 Temp Rang(温度范围): -40° C ~ +105° C  
 Max Torque(最大锁紧力矩): 0.5Nm(4.5lb. in)  
 Housing(塑件): PA66, UL94V-0  
 Screw(螺丝): Steel, M3.0 Ni-Plated  
 Terminal(端子): Brass. 0.8t, Tin Plated  
 Pitch(间距): 8.0mm  
 Poles(极数): 2P-XXP

Ordering Code:

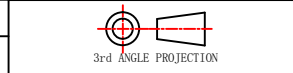


Unless Otherwise specified tolerance  
 X. ±0.35      X.XX: ±0.20  
 X.X: ±0.25      X.XXX: ±0.15

**Antenk**® ANTENK ELECTRONICS CO., LTD  
[Http://www.antenk.com](http://www.antenk.com)  
 E-mail:sales@antenk.com

SCALE: As Shown      UNIT: mm  
 DRAW Wu Sai      DATE 22/03/2018  
 CHECK BobYang      DATE 22/03/2018

TITLE: Barrier Terminal Block Pitch:8.0mm



DRAWING NO: AT832-8.0XXX-01  
 PRODUCT NO: AT832-8.0XXX-01

REV	DESCRIPTION	DATE