

HSF



ROHS

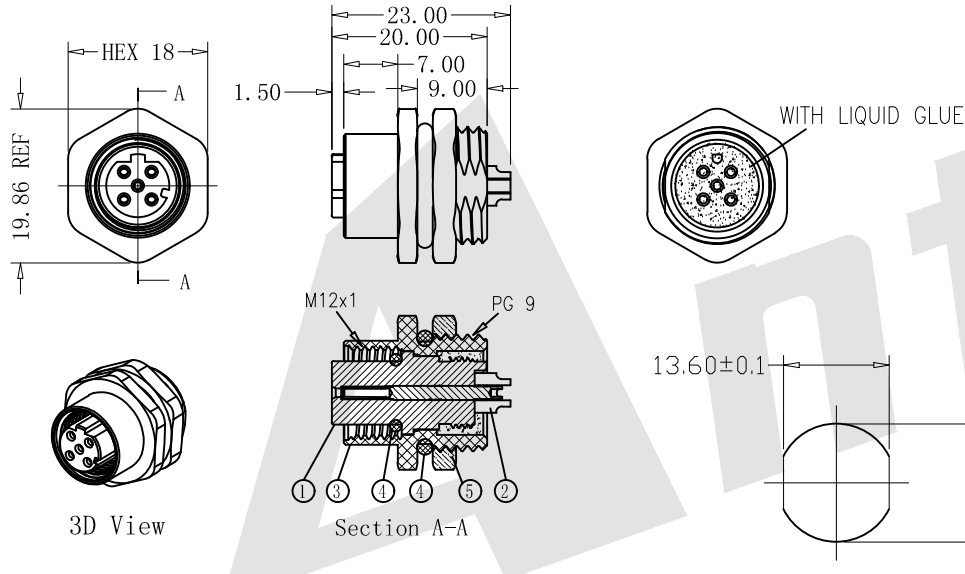
Notes:

- Waterproof rate: IP68
IP68: Immersed in 1M water for 24 hours
- Electrical characteristics
Temperature range: -40° C to +100° C
rating: 60V AC/DC 5A
Dielectric withstanding voltage: 500V AC for one minute
- For panel thickness Max of 4.0mm

Order Code:

M12 - D - XP - F - 115
① ② ③ ④ ⑤

- ① Type of M series: M12
- ② Code option: D Code
- ③ NO. of PINS: 03~05
- ④ Gender option: Female
- ⑤ Series number: 115



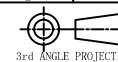
Recommended
Panel CUT-Out

M12-D-03P -F-115	
M12-D-04P -F-115	
M12-D-05P -F-115	
P/N	PIN ASSIGNMENTS FRONT VIEW

5	Nut	Copper alloy	Nickel plating 60u	1
4	Waterproof ring	Silicone	Red	2
3	Shell	Copper alloy	Nickel plating 60u	1
2	Female PIN	Copper alloy	Gold plating 3u	3~5
1	Plastic core	Nylon UL94 V-0	Black	1
NO.	ITEM	MATERIALS	SURFACE	QUANTITY

Unless Otherwise specified tolerance
X. ±0.35 X.XX: ±0.20
X.X: ±0.25 X.XXX: ±0.15

SCALE: As Shown UNIT: mm
DRAW ZLA DATE 07/04/2022
CHECK BobYang DATE 07/04/2022



Antenk ANTENK ELECTRONICS CO., LTD
Http://www.antenk.com
E-mail: sales@antenk.com

TITLE: M12 3~5P Female Lock Back PG9 D Code
Solder Type

DRAWING NO: M12-D-XP-F-115

PRODUCT NO: M12-D-XP-F-115

REV	DESCRIPTION	DATE
1	2	3
4	5	6
7	8	