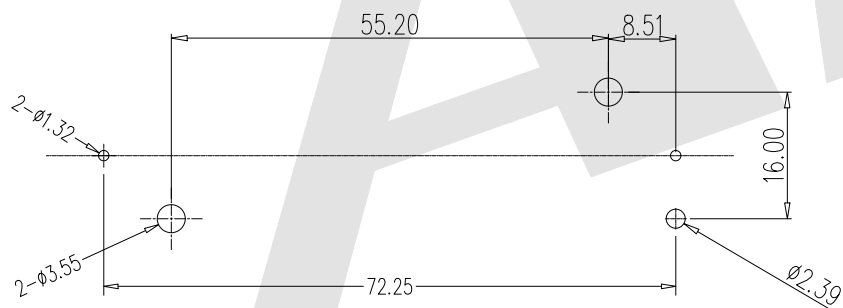
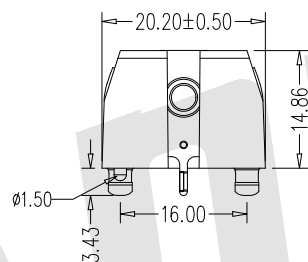
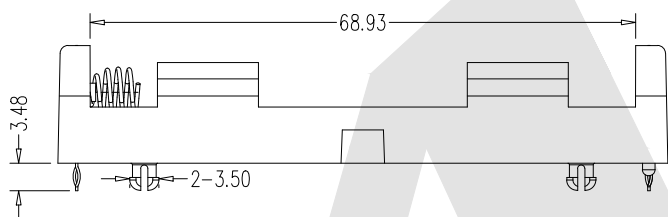
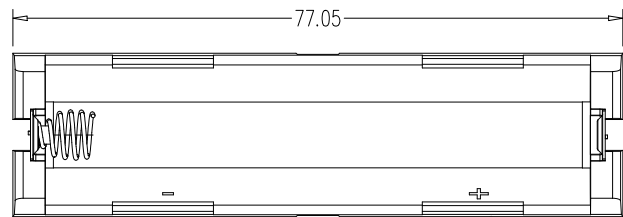
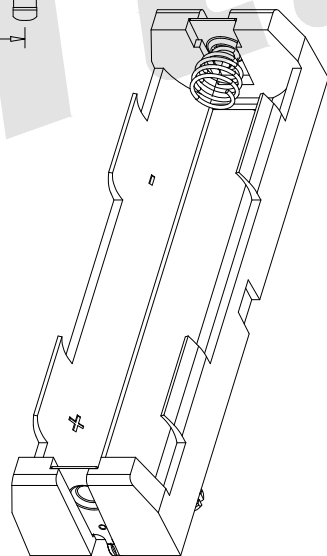


HSF



PCB LAYOUT



NOTES 说明:

- 1. BASE 底座:  
MAT'L 材质: PBT UL94V-0, GREY 灰色
- 2. CONTACT:  
MATL: .012 [0.30] THK STAINLESS STEEL  
0.3mm 厚不锈钢
- 3. Spring 弹簧  
MATL 材质: 0.5 DIA. MUSIC WIRE 0.5mm 直径琴用钢丝

BBC - S - SN - A - 18650-131

① ② ③ ④ ⑤

- ① BBC: Battery Holder 电池盒
- ② Appearance for the product 连接形式  
S: 180°
- ③ Contact Plating 端子电镀  
SI: Tin NICKEL Plated 锡镍合金 G2: 5U" Gold 金  
SN: Tin 锡 G3: 10U" Gold 金  
GO: Gold flash 普金 G4: 15U" Gold 金  
G1: 3U" Gold 金 G5: 30U" Gold 金
- ④ Packing method 包装方式  
A: Tray packing 吸塑盒装  
B: BAG 袋装
- ⑤ Product number 产品编号  
18650-131

Unless Otherwise specified tolerance  
X.±0.35 X.XX:±0.20  
X.X:±0.25 X.XXX:±0.15

SCALE: As Shown UNIT: mm  
DRAW ZLA DATE 04/07/2023  
CHECK BobYang DATE 04/07/2023  
VER./版本号



**Antenk**® ANTENK ELECTRONICS CO., LTD  
Http://www.antenk.com  
E-mail:sales@antenk.com

TITLE:  
Single Battery Holder For 18650 THM

DRAWING NO: BBC-S-SN-A-18650-131

PRODUCT NO: BBC-S-SN-A-18650-131

MK/标记	DESCRIPTION/修订内容	DATE/日期(M/D/Y)

AO 3rd ANGLE PROJECTION