

SPECIFICATIONS:

- Voltage rating: 100V AC/DC
- Current rating: 2A AC/DC
- Withstanding Voltage: 800V AC/minute
- Insulation resistance: 1000MΩ Min.
- Temperature range: -25°C To +85°C
- Contact resistance: 20mΩ Max.

Standards

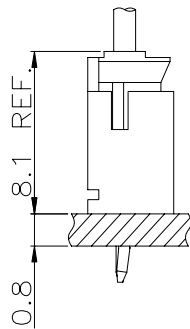
HSF



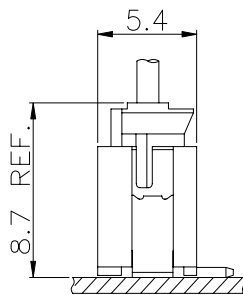
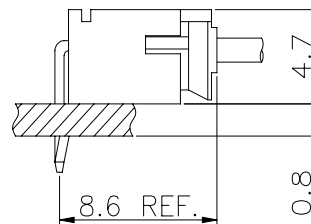
RoHS

Wire to Board

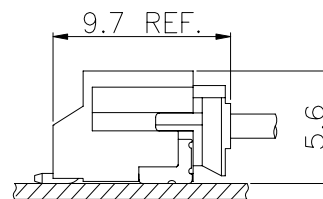
Assembly Layout



DIP TYPE



SMT TYPE

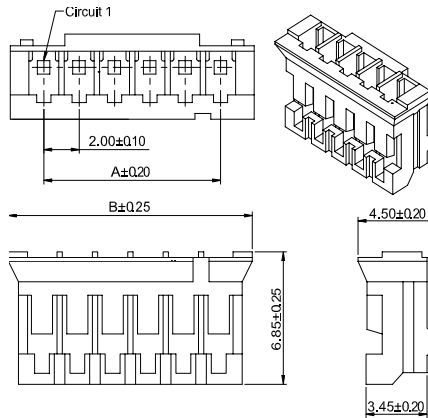


Connectors Expert Around You

2.00mm Pitch housing connector

HOUSING

- Part NO.:AH2001-xxP
- Poles:02-20P
- Mates with:AW2001 series Wafer
- Housing Material:Nylon66 UL94V-0 White



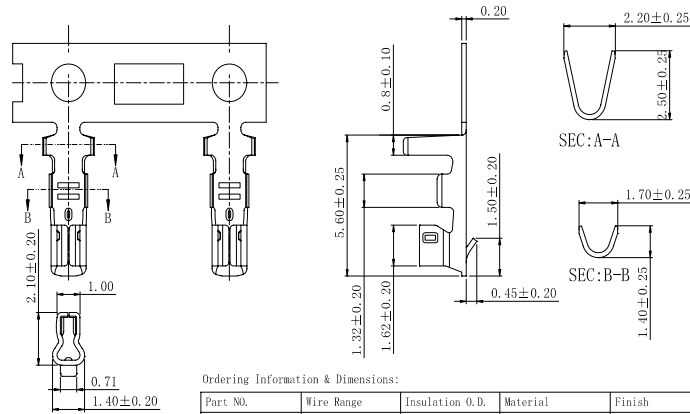
Ordering Information & Dimensions:

Poles	Part No.	Dimensions(mm)	
		A	B
2	AH2001-02P	2.00	5.80
3	AH2001-03P	4.00	7.80
4	AH2001-04P	6.00	9.80
5	AH2001-05P	8.00	11.80
6	AH2001-06P	10.00	13.80
7	AH2001-07P	12.00	15.80
8	AH2001-08P	14.00	17.80
9	AH2001-09P	16.00	19.80
10	AH2001-10P	18.00	21.80
11	AH2001-11P	20.00	23.80
12	AH2001-12P	22.00	25.80
13	AH2001-13P	24.00	27.80
14	AH2001-14P	26.00	29.80
15	AH2001-15P	28.00	31.80
16	AH2001-16P	30.00	33.80
17	AH2001-17P	32.00	35.80
18	AH2001-18P	34.00	37.80
19	AH2001-19P	36.00	39.80
20	AH2001-20P	38.00	41.80

2.00mm Pitch crimp terminal connector

TERMINAL

- Part NO:AT2001T-xP
- Applicable wire:AWG#24-#30
- Material:Phosphor Bronze
- Finish:Tin Plated or Gold
- Used in AH2001 series Housing



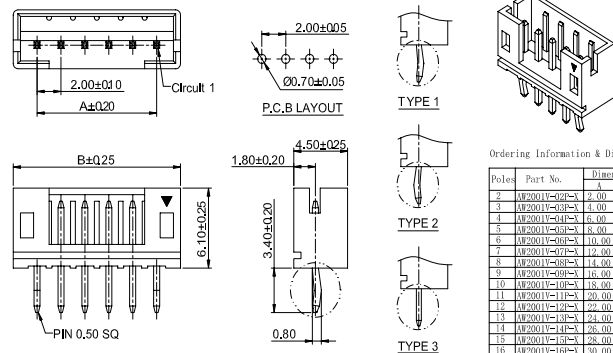
Ordering Information & Dimensions:

Part No.	Wire Range	Insulation O.D.	Material	Finish	Qty/reel
AT2001T-TP	AWG#24-#30	1.50mm(max)	Phosphor Bronze	Tin over Nickel	10,000 PCS
AT2001T-GP	AWG#24-#30	1.50mm(max)	Phosphor Bronze	Gold over Nickel	10,000 PCS

2.00mm Pitch 180° wafer connector

WAFER

- Part NO:AW2001V-xxP-X
- Material:Pin:Brass/Tin over Nickel
- Insulator:Nylon 66,UL94V-0
- Mates with:AH2001 series Housing
- Color:White



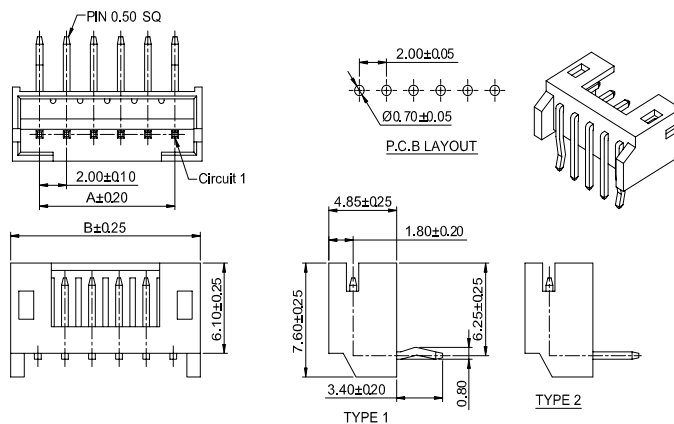
Ordering Information & Dimensions:

Poles	Part No.	Dimensions(mm)	
		A	B
2	AW2001V-02P-X	2.00	6.00
3	AW2001V-03P-X	4.00	8.00
4	AW2001V-04P-X	6.00	10.00
5	AW2001V-05P-X	8.00	12.00
6	AW2001V-06P-X	10.00	14.00
7	AW2001V-07P-X	12.00	16.00
8	AW2001V-08P-X	14.00	18.00
9	AW2001V-09P-X	16.00	20.00
10	AW2001V-10P-X	18.00	22.00
11	AW2001V-11P-X	20.00	24.00
12	AW2001V-12P-X	22.00	26.00
13	AW2001V-13P-X	24.00	28.00
14	AW2001V-14P-X	26.00	30.00
15	AW2001V-15P-X	28.00	32.00
16	AW2001V-16P-X	30.00	34.00
17	AW2001V-17P-X	32.00	36.00
18	AW2001V-18P-X	34.00	38.00
19	AW2001V-19P-X	36.00	40.00
20	AW2001V-20P-X	38.00	42.00

2.00mm Pitch 90° wafer connector

WAFER

- Part NO:AW2001R-xxP-X
- Material:Pin:Brass/Tin over Nickel
- Insulator:Nylon 66,UL94V-0
- Mates with:AW2001 series Housing
- Color:White



Ordering Information & Dimensions:

Poles	Part No.	Dimensions(mm)	
		A	B
2	AW2001R-02P-X	2.00	6.00
3	AW2001R-03P-X	4.00	8.00
4	AW2001R-04P-X	6.00	10.00
5	AW2001R-05P-X	8.00	12.00
6	AW2001R-06P-X	10.00	14.00
7	AW2001R-07P-X	12.00	16.00
8	AW2001R-08P-X	14.00	18.00
9	AW2001R-09P-X	16.00	20.00
10	AW2001R-10P-X	18.00	22.00
11	AW2001R-11P-X	20.00	24.00
12	AW2001R-12P-X	22.00	26.00
13	AW2001R-13P-X	24.00	28.00
14	AW2001R-14P-X	26.00	30.00
15	AW2001R-15P-X	28.00	32.00
16	AW2001R-16P-X	30.00	34.00
17	AW2001R-17P-X	32.00	36.00
18	AW2001R-18P-X	34.00	38.00
19	AW2001R-19P-X	36.00	40.00
20	AW2001R-20P-X	38.00	42.00

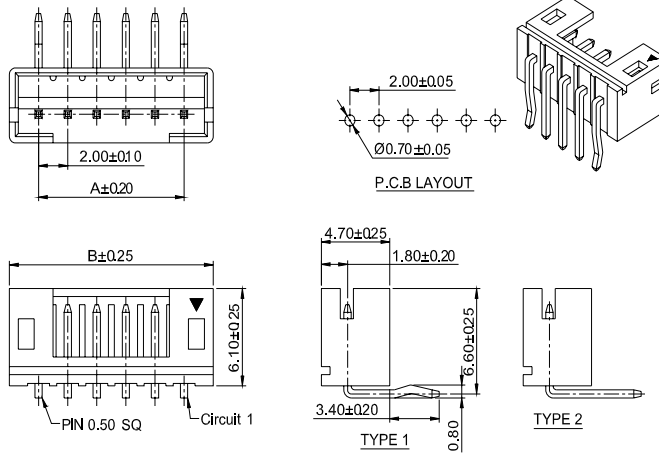
Wire to Board

Connectors Expert Around You

2.00mm Pitch 90° wafer connector

WAFER

- Part NO:AW2001VR-xxP-X
- Material:Pin:Brass/Tin over Nickel
- Insulator:Nylon 66,UL94V-0
- Mates with:AH2001 series Housing
- Color:White



Ordering Information & Dimensions:

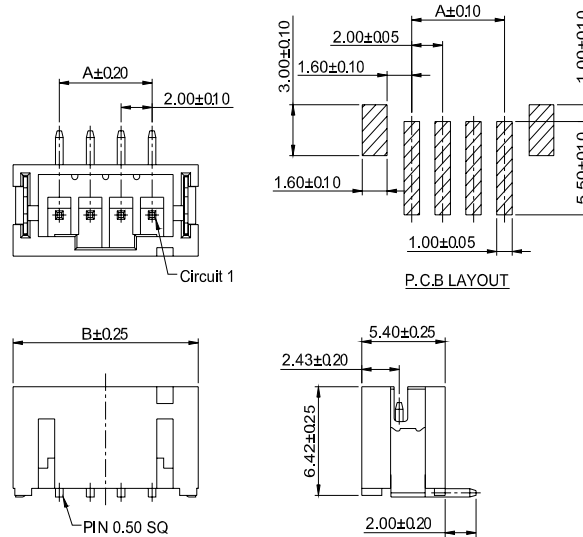
Poles	Part No.	Dimensions (mm)	
		A	B
2	AW2001VR-02P-X	2.00	6.00
3	AW2001VR-03P-X	4.00	8.00
4	AW2001VR-04P-X	6.00	10.00
5	AW2001VR-05P-X	8.00	12.00
6	AW2001VR-06P-X	10.00	14.00
7	AW2001VR-07P-X	12.00	16.00
8	AW2001VR-08P-X	14.00	18.00
9	AW2001VR-09P-X	16.00	20.00
10	AW2001VR-10P-X	18.00	22.00
11	AW2001VR-11P-X	20.00	24.00
12	AW2001VR-12P-X	22.00	26.00
13	AW2001VR-13P-X	24.00	28.00
14	AW2001VR-14P-X	26.00	30.00
15	AW2001VR-15P-X	28.00	32.00
16	AW2001VR-16P-X	30.00	34.00
17	AW2001VR-17P-X	32.00	36.00
18	AW2001VR-18P-X	34.00	38.00
19	AW2001VR-19P-X	36.00	40.00
20	AW2001VR-20P-X	38.00	42.00

Wire to Board

2.00mm Pitch 180° wafer smt connector

WAFER

- Part NO:AW2001V-S-xxP
- Material:Pin:Brass/Tin over Nickel
- Insulator:Nylon 6T,UL94V-0
- Mates with:AH2001 series Housing
- Color:White



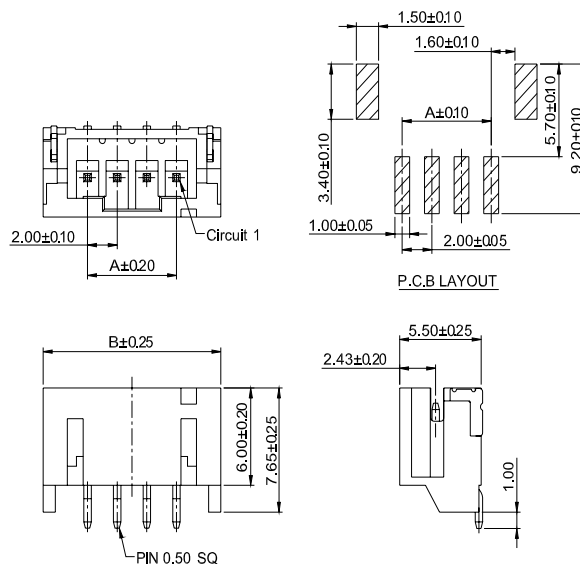
Ordering Information & Dimensions:

Poles	Part No.	Dimensions (mm)	
		A	B
2	AW2001V-S-02P	2.00	6.00
3	AW2001V-S-03P	4.00	8.00
4	AW2001V-S-04P	6.00	10.00
5	AW2001V-S-05P	8.00	12.00
6	AW2001V-S-06P	10.00	14.00
7	AW2001V-S-07P	12.00	16.00
8	AW2001V-S-08P	14.00	18.00
9	AW2001V-S-09P	16.00	20.00
10	AW2001V-S-10P	18.00	22.00
11	AW2001V-S-11P	20.00	24.00
12	AW2001V-S-12P	22.00	26.00
13	AW2001V-S-13P	24.00	28.00
14	AW2001V-S-14P	26.00	30.00
15	AW2001V-S-15P	28.00	32.00
16	AW2001V-S-16P	30.00	34.00
17	AW2001V-S-17P	32.00	36.00
18	AW2001V-S-18P	34.00	38.00
19	AW2001V-S-19P	36.00	40.00
20	AW2001V-S-20P	38.00	42.00

2.00mm Pitch 90° wafer smt connector

WAFER

- Part NO:AW2001R-S-xxP
- Material:Pin:Brass/Tin over Nickel
- Insulator:Nylon 6T,UL94V-0
- Mates with:AH2001 series Housing
- Color:White



Ordering Information & Dimensions:

Poles	Part No.	Dimensions (mm)	
		A	B
2	AW2001R-S-02P	2.00	6.00
3	AW2001R-S-03P	4.00	8.00
4	AW2001R-S-04P	6.00	10.00
5	AW2001R-S-05P	8.00	12.00
6	AW2001R-S-06P	10.00	14.00
7	AW2001R-S-07P	12.00	16.00
8	AW2001R-S-08P	14.00	18.00
9	AW2001R-S-09P	16.00	20.00
10	AW2001R-S-10P	18.00	22.00
11	AW2001R-S-11P	20.00	24.00
12	AW2001R-S-12P	22.00	26.00
13	AW2001R-S-13P	24.00	28.00
14	AW2001R-S-14P	26.00	30.00
15	AW2001R-S-15P	28.00	32.00
16	AW2001R-S-16P	30.00	34.00
17	AW2001R-S-17P	32.00	36.00
18	AW2001R-S-18P	34.00	38.00
19	AW2001R-S-19P	36.00	40.00
20	AW2001R-S-20P	38.00	42.00