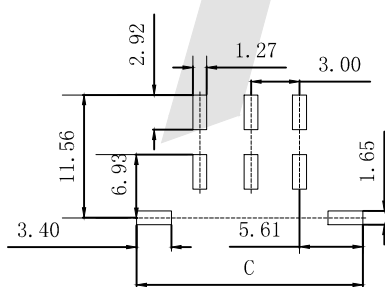
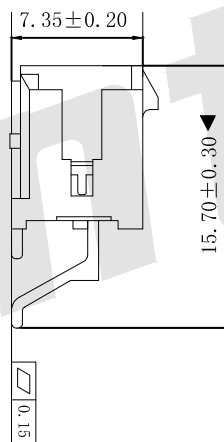
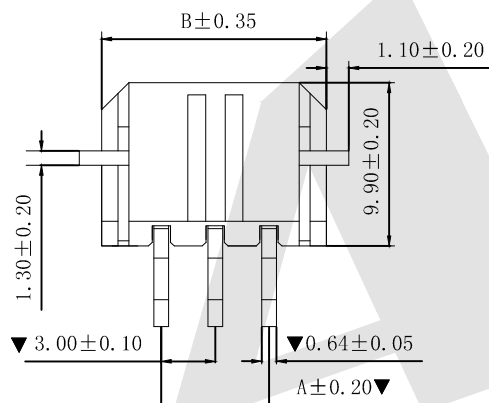
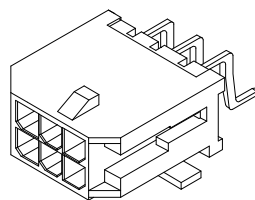
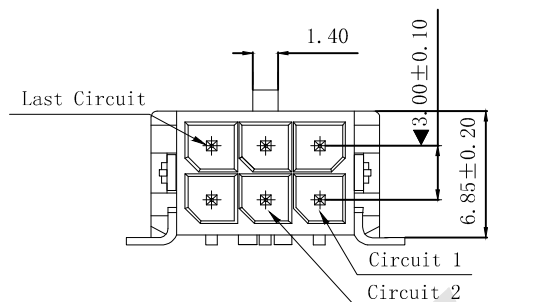


HSF



P. C. B LAYOUT

SPECIFICATIONS

- Voltage rating: 250V AC/DC
- Current rating: 5A, AC, DC
- Withstanding Voltage: 1500V AC/minute
- Insulation resistance: 1000MΩ min
- Temperature range: -25°C~+85°C
- Contact resistance: 20mΩ max

WAFER

- Part NO: AW3045SR-2xNP (Y)
- Poles: 02-24P
- Housing Material: LCP UL94 V-0 Black
- Contact Area Plating: Tin-Plated
- The Dimension Marked “▼” Must Be Recorded

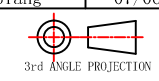
Poles	Part No.	Dimensions (mm)		
		A	B	C
2	AW3045SR-2*1Y	---	6.65	11.20
4	AW3045SR-2*2Y	3.00	9.65	14.20
6	AW3045SR-2*3Y	6.00	12.65	17.20
8	AW3045SR-2*4Y	9.00	15.65	20.20
10	AW3045SR-2*5Y	12.00	18.65	23.20
12	AW3045SR-2*6Y	15.00	21.65	26.20
14	AW3045SR-2*7Y	18.00	24.65	29.20
16	AW3045SR-2*8Y	21.00	27.65	32.20
18	AW3045SR-2*9Y	24.00	30.65	35.20
20	AW3045SR-2*10Y	27.00	33.65	38.20
22	AW3045SR-2*11Y	30.00	36.65	41.20
24	AW3045SR-2*12Y	33.00	39.65	44.20

Unless Otherwise specified tolerance
 X. ±0.35 X.XX: ±0.20
 X.X: ±0.25 X.XXX: ±0.15

Antenk® ANTENK ELECTRONICS CO., LTD
[Http://www.antenk.com](http://www.antenk.com)
 E-mail: sales@antenk.com

SCALE: As Shown UNIT: mm
 DRAW: Jack Bao DATE: 07/06/2017
 CHECK: BobYang DATE: 07/06/2017

TITLE: MX3.0mm SMT 90° With soldering lug
 Wafer Connector Series



DRAWING NO: AW3045SR-2xNP (Y)
 PRODUCT NO: AW3045SR-2xNP (Y)

REV	DESCRIPTION	DATE