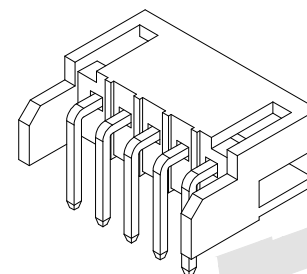


HSF



Ordering information:  
**AW2515R-XP** -  $\frac{**}{2}$  -  $\frac{***}{3}$

- 1.Part No.
- 2.Finish:  
 (blank)-Tin over Nickel  
 G-Gold over Nickel
- 3.Material:  
 (blank)-Nylon 66,UL94v-0  
 GWT:Nylon 66,UL94v-0 GWT 750°C



**SPECIFICATIONS**

- Voltage rating: 100V AC/DC
- Current rating: 2A AC,DC
- Withstanding Voltage: 750V AC/minute
- Insulation resistance:500MΩ min
- Temperature range: -40°C+105°C

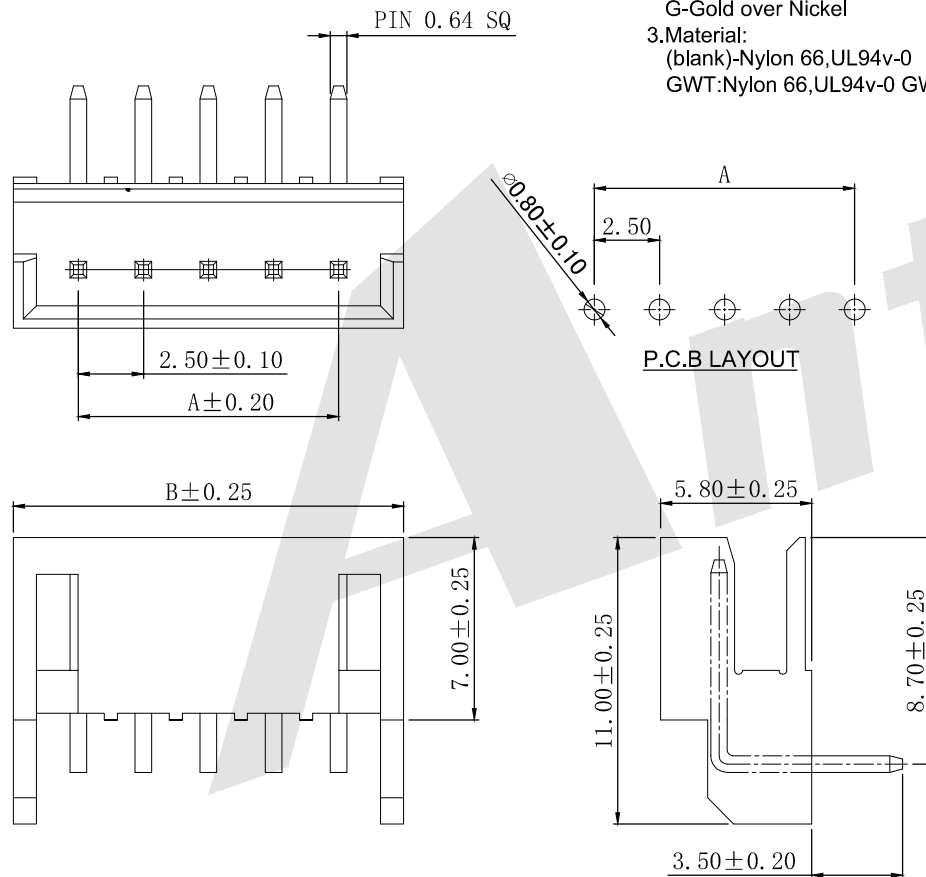
**WAFER**

- Part NO: AW2515R-xP
- Material: Pin: Brass/Tin over Nickel  
 Insulator: Nylon 66, UL94V-0
- Mates with: AH2515 series Housing
- Color: Black

**Ordering Information & Dimensions:**

PART NO.	Dimensions	
	A	B
AW2515R-2P	2.50	7.50
AW2515R-3P	5.00	10.00
AW2515R-4P	7.50	12.50
AW2515R-5P	10.00	15.00
AW2515R-6P	12.50	17.50
AW2515R-7P	15.00	20.00
AW2515R-8P	17.50	22.50
AW2515R-9P	20.00	25.00
AW2515R-10P	22.50	27.50
AW2515R-11P	25.00	30.00
AW2515R-12P	27.50	32.50
AW2515R-13P	30.00	35.00
AW2515R-14P	32.50	37.50
AW2515R-15P	35.00	40.00
AW2515R-16P	37.50	42.50
AW2515R-17P	37.50	45.00
AW2515R-18P	40.00	47.50
AW2515R-19P	45.00	50.00
AW2515R-20P	47.50	52.50

Unit: mm

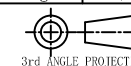


Unless Otherwise specified tolerance  
 X. ±0.35 X.XX: ±0.20  
 X.X: ±0.25 X.XXX: ±0.15

SCALE: As Shown	UNIT: mm
DRAW Jack Bao	DATE 5/15/2018
CHECK Bob Yang	DATE 5/15/2018

**Antenk** ANTENK ELECTRONICS CO., LTD  
[Http://www.antenk.com](http://www.antenk.com)  
 E-mail:sales@antenk.com

TITLE: 2.50mm pitch 90° Wafer Connector Series



DRAWING NO: AW2515R-xP

PRODUCT NO: AW2515R-xP

REV	DESCRIPTION	DATE
1		
2		
3		
4		
5		