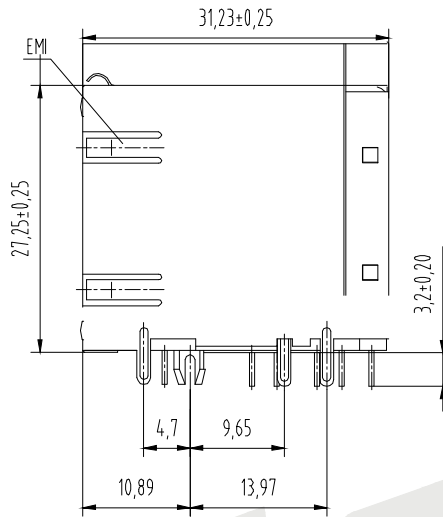
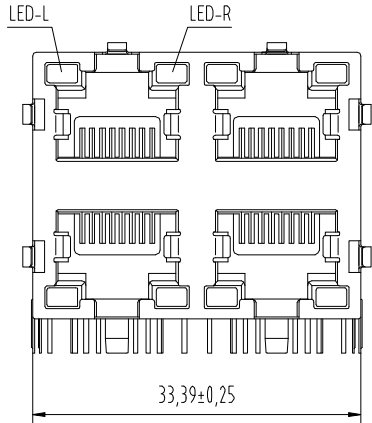


HSF



ROHS



SPECIFICATIONS:

1. Material:

- 1.1 Housing: Glass Filled Polyester UL94V-0
- 1.2 Contact: Phosphor Bronze, $\phi 0.46\text{mm}$
- 1.3 Plating: Gold Plating Over Nickel

2. Electrical Characteristic:

- 2.1 Voltage Rating: 125 VAC RMS
- 2.2 Current Rating: 1.5 AMP
- 2.3 Contact Resistance: 45 Milliohms Max
- 2.4 Insulation Resistance: 1000 Megohms Min@500V DC
- 2.5 Dielectric Withstanding Resistance: 1000V AC RMS 60HZ, 1 Min

3. Mechanical Characteristic:

- 3.1 Durability: 750 Cycles Min
- 3.2 PCB Retention PRE-Solder: 1 LB Min

4. Environmental:

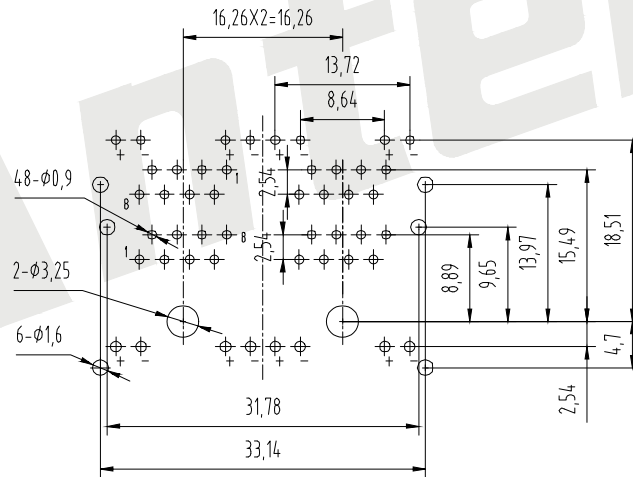
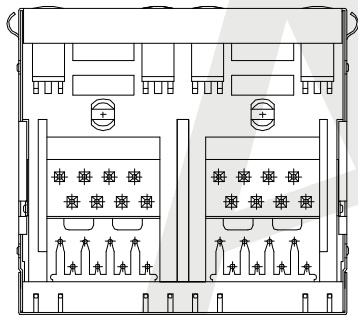
- 4.1 Storage: -40° C To 85° C
- 4.2 Operation: 0° C To 70° C

Mates With Modular Plug Conforming To FCC Part 68, Subpart F

ATRJ5922 - 8P - 8C - X - C1 - H - B

① ② ③ ④ ⑤ ⑥ ⑦

- ① SERIES NO:
- ② NUMBER OF POSITIONS (10P, 8P, 6P, 4P)
- ③ NUMBER OF CONTACTS (10C, 8C, 6C, 4C)
- ④ Contact Plating
- ⑤ Shield
- ⑥ A: W/O Shield
B: Half Shield
C: Shield W/Eml
D: Shield W/O Eml
- ⑦ LED STYLE:
A: W/O LED
B: LEFT YELLOW/RIGHT GREEN
C: LEFT GREEN/RIGHT YELLOW
D: LEFT RED/RIGHT GREEN
E: LEFT GREEN/RIGHT RED
F: LEFT YELLOW/RIGHT YELLOW
G: LEFT GREEN/RIGHT GREEN



PC Board Layout
Component Side Shown

Unless Otherwise specified tolerance
X. ± 0.35 X.XX: ± 0.20
X.X: ± 0.25 X.XXX: ± 0.15

SCALE: As Shown UNIT: mm
DRAW: Wu Feng Rong DATE: 22/03/2018
CHECK: BobYang DATE: 22/03/2018

3rd ANGLE PROJECTION

Antenk ANTENK ELECTRONICS CO., LTD
Http://www.antenk.com
E-mail:sales@antenk.com

TITLE:
RJ45 Jack Side Entry 2X2P
Shielded With LED & EMI

DRAWING NO: ATRJ5922-8P8C-X-C1-H-B

PRODUCT NO: ATRJ5922-8P8C-X-C1-H-B

REV		CHANGE C TO C1		12/08/2020
		DESCRIPTION		DATE