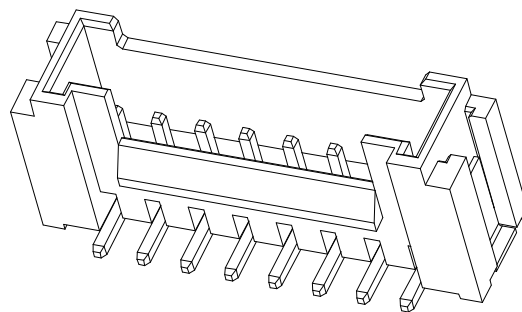


HSF



SPECIFICATIONS

- Voltage rating: 250V AC/DC
- Current rating: 3A, AC, DC
- Withstanding Voltage: 1000V AC/minute
- Insulation resistance: 1000MΩ min
- Temperature range: -40°C~+105°C

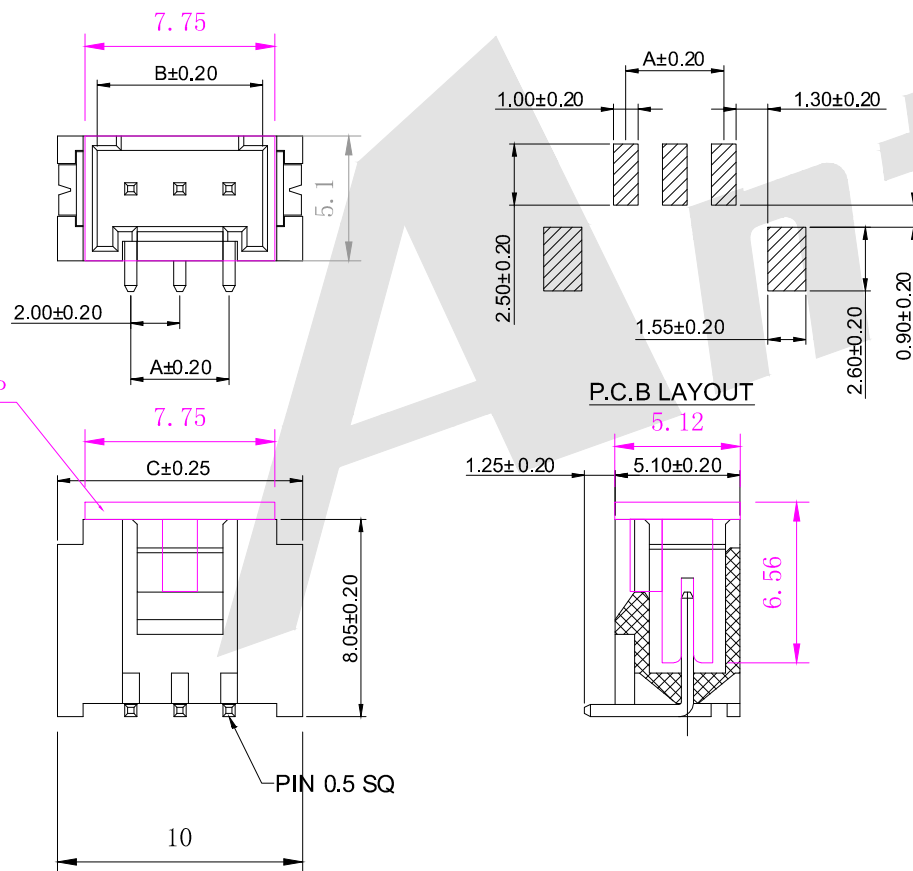
WAFER

- Part NO: AW2008V-S-NP
- Material: Pin: Brass/Tin over Nickel
Insulator: Nylon 66, UL94V-0
- Mates with: AH2008 Single Row series Housing
- Color: Ivory

Ordering Information & Dimensions:

Poles	Part No.	Dimensions (mm)		
		A	B	C
2	AW2008V-S-02P	2.00	4.75	8.00
3	AW2008V-S-03P	4.00	6.75	10.00
4	AW2008V-S-04P	6.00	8.75	12.00
5	AW2008V-S-05P	8.00	10.75	14.00
6	AW2008V-S-06P	10.00	12.75	16.00
7	AW2008V-S-07P	12.00	14.75	18.00
8	AW2008V-S-08P	14.00	16.75	20.00
9	AW2008V-S-09P	16.00	18.75	22.00
10	AW2008V-S-10P	18.00	20.75	24.00
11	AW2008V-S-11P	20.00	22.75	26.00
12	AW2008V-S-12P	22.00	24.75	28.00
13	AW2008V-S-13P	24.00	26.75	30.00
14	AW2008V-S-14P	26.00	28.75	32.00
15	AW2008V-S-15P	28.00	30.75	34.00
16	AW2008V-S-16P	30.00	32.75	36.00

Unit: mm

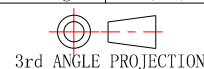


Unless otherwise specified tolerance
 X. ±0.35 X.XX: ±0.20
 X.X: ±0.25 X.XXX: ±0.15

Antenk® ANTENK ELECTRONICS CO., LTD
[Http://www.antenk.com](http://www.antenk.com)
 E-mail:sales@antenk.com

SCALE: As Shown UNIT: mm
 DRAW Jack Bao DATE 10/22/2017
 CHECK Bob Yang DATE 10/22/2017

TITLE: 2.00mm pitch 180° Wafer-SMT TYPE Connector Series



DRAWING NO: AW2008V-S-NP
 PRODUCT NO: AW2008V-S-NP

ADD CAP
 DESCRIPTION

07/01/2021
 DATE

REV