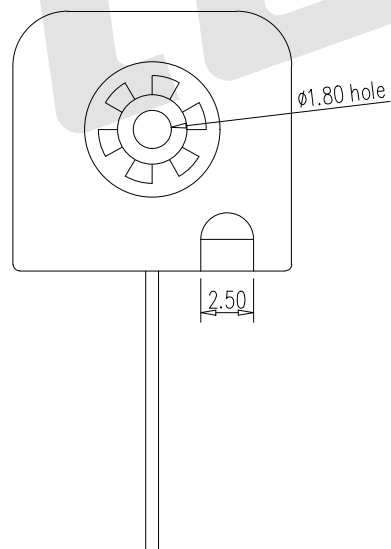
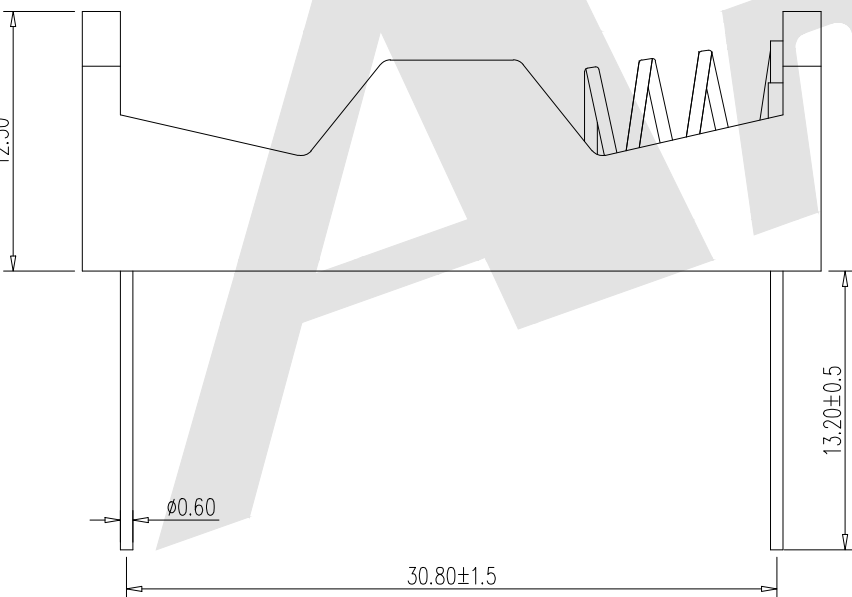
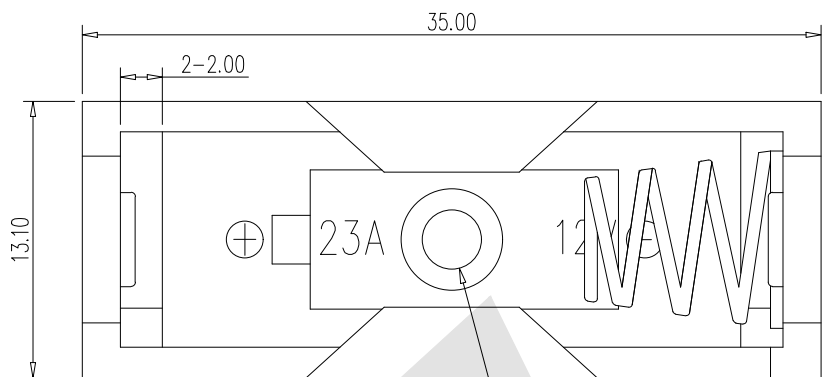


HSF



Material:
Housing: PP
Contact: carbon steel, nickel plated

Ordering Code:

BBA - 23A - 1 - X - 1
① ② ③ ④ ⑤

- ① BBA: Battery Holders
- ② 23A : BATTERY TYPE
- ③ BATTERY NUMBERS
1: 1 piece
- ④ Packing
A: TRAY
B: BAG
- ⑤ 1 : Series Number

Unless Otherwise specified tolerance
X.±0.35 X.XX:±0.20
X.X:±0.25 X.XXX:±0.15

SCALE: As Shown UNIT: mm
DRAW ZLA DATE 07/17/2023
CHECK BobYang DATE 07/17/2023

VER./版本号 3rd ANGLE PROJECTION

Antenk ANTENK ELECTRONICS CO.,LTD
Http://www.antenk.com
E-mail:sales@antenk.com

TITLE: Battery Holder For 23A THT

DRAWING NO: BBA-23A-1-X-1

PRODUCT NO: BBA-23A-1-X-1

MK/标记

DESCRIPTION/修订内容

DATE/日期(M/D/Y)