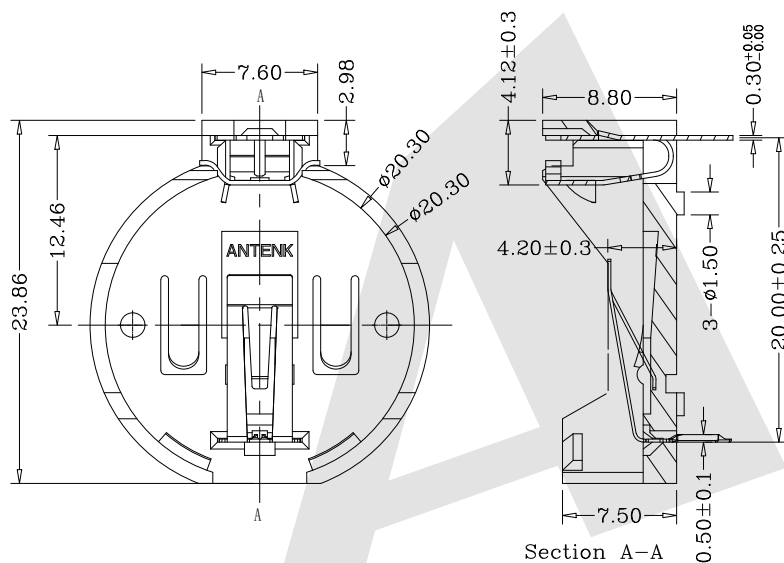
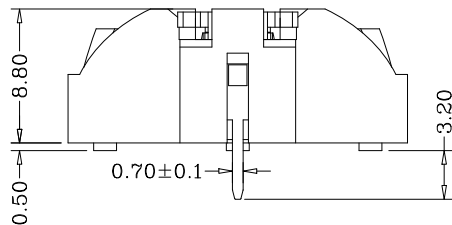
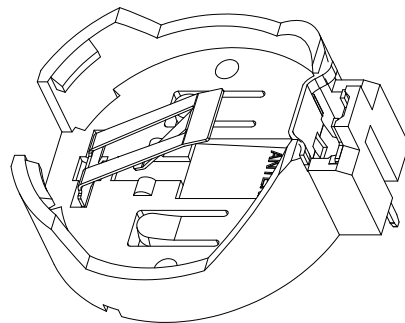


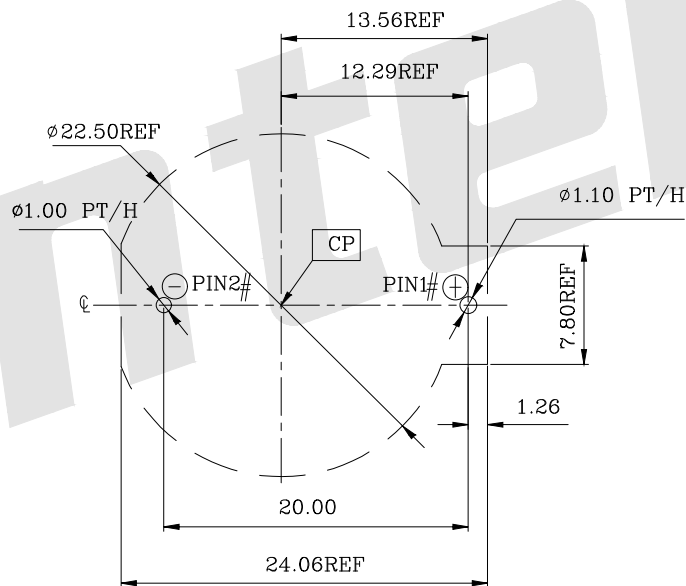
HSF



RoHS



Section A-A



RECOMMENDED PCB LAYOUT(TOP VIEW)

(PCB THICKNESS:T= 1.60mm)(TOLERANCE:±0.05)

NOTES:

- 1、BASE:
MATERIAL:PA66+30%G.F(UL94V-0) BLACK
- 2、CONTACT:
MATERIAL:POSITIVE POLE T=0.30 THK BRASS C2680,
NEGATIVE POLE T=0.2 THK BRASS C2680;
FINISH:Weldable nickel plated 50u.
3. ELECTRIC:
 - a. CONTACT RESISTANCE:30 MILLIOHMS MAX
 - b. INSULATION RESISTANCE:1000 MEGA OHMS MIN
 - c. DIELECTNIC VOLTAGE:500V AC ONE SEC LEVEL
 - d. OPERATING TEMPERATURE:-25° C TO +85° C

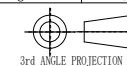
Ordering code:

BT - S - SN - A - 029
① ② ③ ④ ⑤

- | | |
|--|---|
| ① BT: Coin Cell Holders | ④ Packing method
A: Tray B:Bag
R: Tape & reel |
| ② Apperance for the product
S:180 TYPE | ⑤ Product number
029 |
| ③ Contact Plating
SN:Tin
G0:Gold flash
G1: 3U" Gold
G2: 5U" Gold
G3:10U" Gold
G4:15U" Gold
G5:30U" Gold | |

Unless Otherwise specified tolerance
X. ±0.35 X.XX:±0.20
X.X:±0.25 X.XXX:±0.15

SCALE: As Shown UNIT: mm
DRAW ZLA DATE 21/02/2022
CHECK BobYang DATE 21/02/2022



Antenk® ANTENK ELECTRONICS CO.,LTD
Http://www.antenk.com
E-mail:sales@antenk.com

TITLE:
Coin Cell Holders For CR2032 THM

DRAWING NO: BT-S-SN-B-A-029

PRODUCT NO: BT-S-SN-B-A-029

REV	DESCRIPTION	DATE
1		
2		
3		
4		
5		