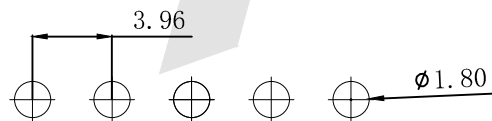
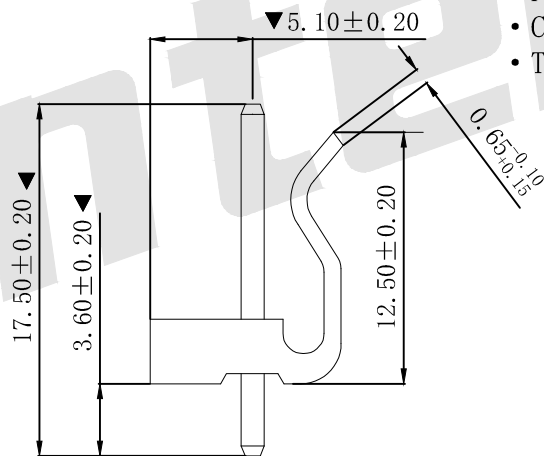
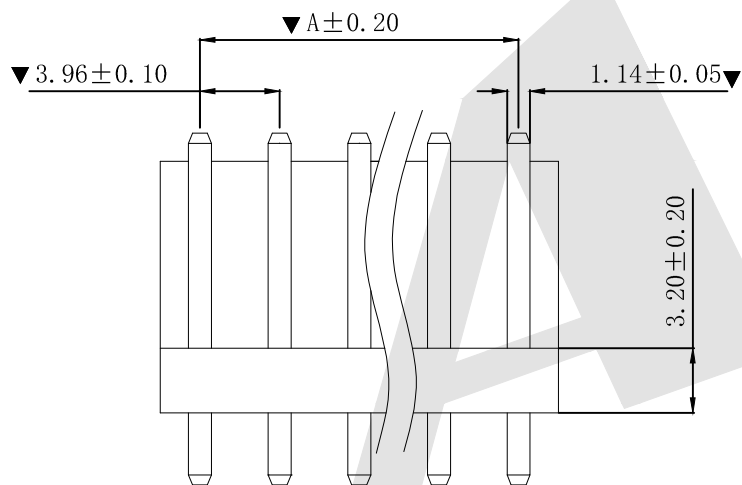
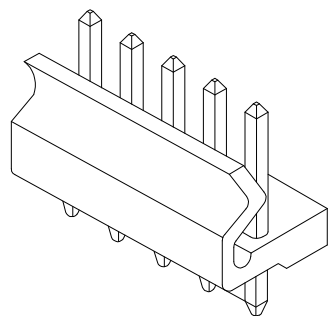
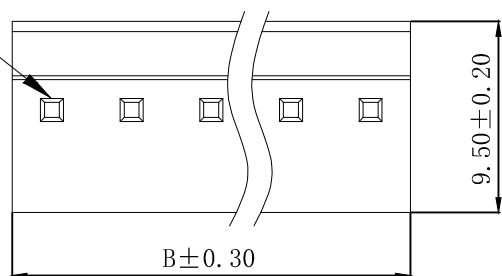


HSF



Circuit 1



P. C. B LAYOUT

SPECIFICATIONS

- Voltage rating: 250V AC,DC
- Current rating: 7A, AC, DC
- Withstanding Voltage: 1500V AC/minute
- Insulation resistance: 1000MΩ min
- Temperature range: -25°C~+85°C
- Contact resistance: 20mΩ max

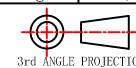
WAFER

- Part NO: AW3962V-NP
- Poles: 02-20P
- Housing Material: Nylon66 UL94V-2
- Pin Material: Brass
- Contact Area Plating: Tin-plated
- The Dimension Marked “▼” Must Be Recorded

Poles	Part No.	Dimensions (mm)	
		A	B
2	AW3962V-02P	3.96	7.92
3	AW3962V-03P	7.92	11.88
4	AW3962V-04P	11.88	15.84
5	AW3962V-05P	15.84	19.80
6	AW3962V-06P	19.80	23.76
7	AW3962V-07P	23.76	27.72
8	AW3962V-08P	27.72	31.68
9	AW3962V-09P	31.68	35.64
10	AW3962V-10P	35.64	39.60
11	AW3962V-11P	39.60	43.56
12	AW3962V-12P	43.56	47.52
13	AW3962V-13P	47.52	51.48
14	AW3962V-14P	51.48	55.44
15	AW3962V-15P	55.44	59.40
16	AW3962V-16P	59.40	63.36
17	AW3962V-17P	63.36	67.32
18	AW3962V-18P	67.32	71.28
19	AW3962V-19P	71.28	75.24
20	AW3962V-20P	75.24	79.20

Unless Otherwise specified tolerance  
 X. ±0.35    X.XX: ±0.20  
 X.X: ±0.25    X.XXX: ±0.15

SCALE: As Shown    UNIT: mm  
 DRAW: Jack Bao    DATE: 07/31/2017  
 CHECK: Bob Yang    DATE: 07/31/2017



**Antenk**® ANTENK ELECTRONICS CO., LTD  
[Http://www.antenk.com](http://www.antenk.com)  
 E-mail: sales@antenk.com

TITLE: MX3.96mm 180° Wafer Connector Series

DRAWING NO: AW3962V-NP

PRODUCT NO: AW3962V-NP

REV	DESCRIPTION	DATE