

HSF



RoHS

Material:
Base: PA46+30%GF, BLACK, UL94V-0;
CONTACT: 0.3MM THK STAINLESS STEEL
FINISH: BRIGHT TIN 200U" OVER NICKEL 50U"

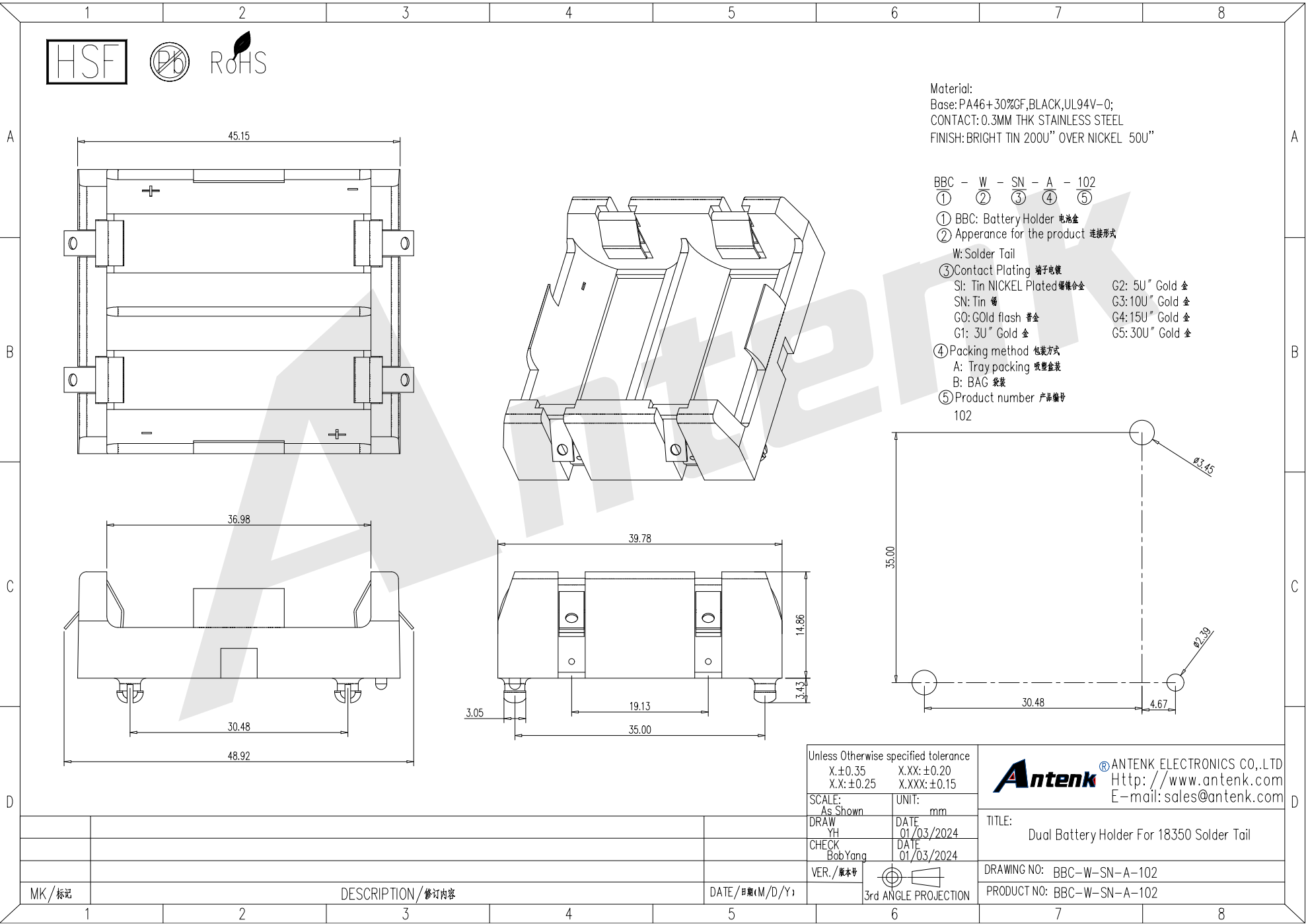
BBC - W - SN - A - 102
① ② ③ ④ ⑤

① BBC: Battery Holder 电池盒
② Appliance for the product 连接形式

W: Solder Tail
③ Contact Plating 端子电镀
SI: Tin NICKEL Plated 锡镍合金 G2: 5U" Gold 金
SN: Tin 锡 G3: 10U" Gold 金
GO: Gold flash 普金 G4: 15U" Gold 金
G1: 3U" Gold 金 G5: 30U" Gold 金

④ Packing method 包装方式
A: Tray packing 吸塑盒装
B: BAG 袋装

⑤ Product number 产品编号
102



Unless Otherwise specified tolerance
X. \pm 0.35 X.XX: \pm 0.20
X.X: \pm 0.25 X.XXX: \pm 0.15

SCALE: As Shown UNIT: mm

DRAW YH DATE 01/03/2024

CHECK BobYang DATE 01/03/2024

VER./版本号

3rd ANGLE PROJECTION

Antenk® ANTENK ELECTRONICS CO., LTD
Http://www.antenk.com
E-mail:sales@antenk.com

TITLE: Dual Battery Holder For 18350 Solder Tail

DRAWING NO: BBC-W-SN-A-102

PRODUCT NO: BBC-W-SN-A-102

MK/标记	DESCRIPTION/修订内容	DATE/日期(M/D/Y)