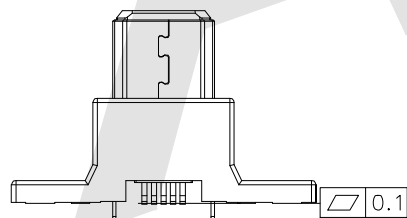
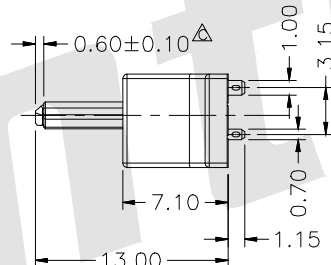
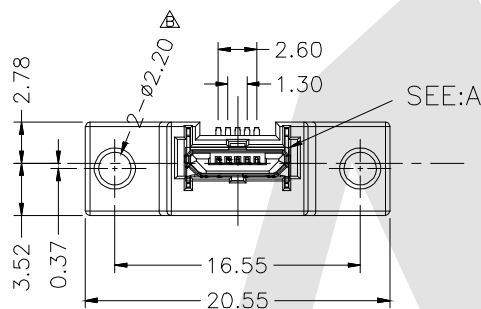
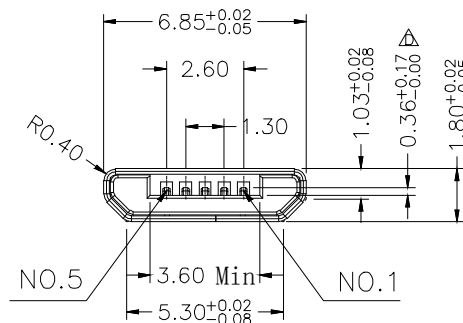
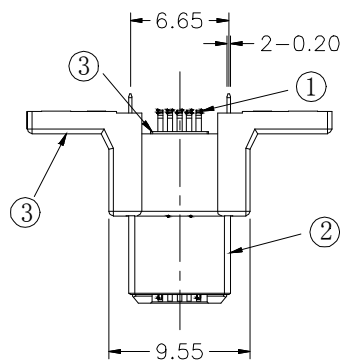


HSF



1. Contact Resistance: 30mOHM Max
2. Dielectric Withstanding Votage: 100V AC For 1 Minute:
3. Insulation Resistance: 1000M OHM Min:
4. Durabililty: 1000 CycIes
5. Marked "◆" Dimensions should Be Checked By QC, As CPK controlled

Ordering Code:

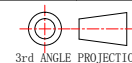
MUMS15 - X - X - X - X - X
 ① ② ③ ④ ⑤ ⑥

- | | |
|-----------------------|-------------------|
| ① Series No: | ⑤ Contact Plating |
| ② Shell Material: | G0: Gold flash |
| B: Brass | G1: 3u" Gold |
| S: stainless steel | G2: 5u" Gold |
| ③ Insulator Material: | G3: 10u" Gold |
| P: PBT+30%GF | G4: 15u" Gold |
| L: LCP | G5: 30u" Gold |
| ④ Contact Material: | ⑥ Packing |
| P: phosphor copper | A: Tray |
| | B: Bag B: Brass |
| | C: Tube |
| | D: Tape & Reel |

Item	Title	Material	Dispose	Remark
1	Terminal	Copper Alloy	Contact Area: Au(See P/N); Solder Area: Sn 50u" Min. Bottom: Ni 30u" Min.	T=0.20
2	Shell	Stainless Steel	Ni 30u" Min.;	T=0.20
3	Insertmold	LCP	UL94V-0	Black
4	Housing	LCP	UL94V-0	Black

Unless Otherwise specified tolerance
 X. ±0.35 X.XX: ±0.20
 X.X: ±0.25 X.XXX: ±0.15

SCALE: As Shown	UNIT: mm
DRAW CAO JIAN	DATE 05/07/2019
CHECK BobYang	DATE 05/07/2019



Antenk® ANTENK ELECTRONICS CO., LTD
 Http://www.antenk.com
 E-mail: sales@antenk.com

TITLE:
 MICRO USB B TYPE PLUG 180° HEIGHT 13mm

DRAWING NO: MUMS15-XXXXX

PRODUCT NO: MUMS15-XXXXX

REV	DESCRIPTION	DATE
1		
2		
3		
4		
5		