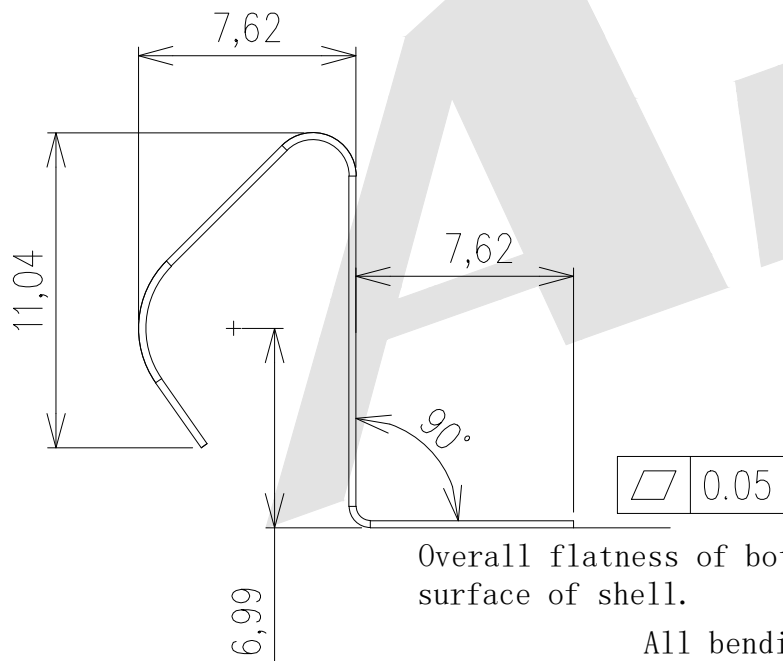
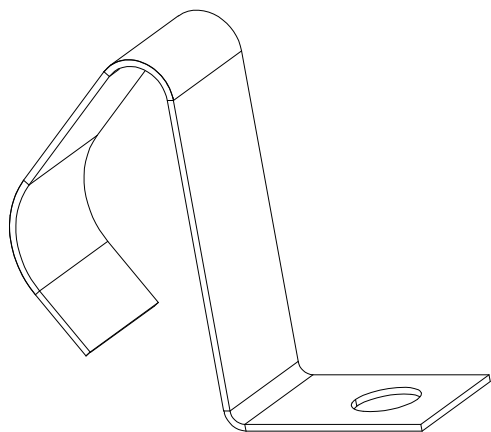
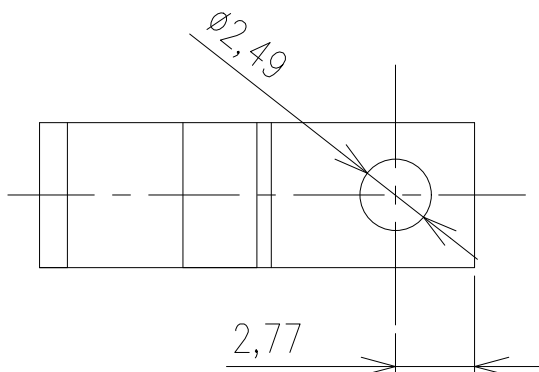


HSF

RoHS



Overall flatness of bottom surface of shell.

All bending and forming shall be adjustable.

NOTES:

- 1. MATERIAL: ANNEALED SPRING STEEL, T=0.25mm.
- 2. PLATING:  
80U" Min TIN PLATED OVERALL  
50U" Min NICKEL PLATED UNDER OVERALL

Order code:

BS - M - SN - X - 5231  
① ② ③ ④ ⑤

- ① BS: Battery Contacts
- ② Apperance for the product
- M: SMT TYPE

- ③ Contact Plating  
SI: NICKEL PLATE  
SN: Tin

- G0: Gold flash
- G1: 3u" Gold
- G2: 5u" Gold
- G3: 10u" Gold
- G4: 15u" Gold
- G5: 30u" Gold

- ④ Packing method  
A: Tray packing  
R: Tape & reel packing  
B: Bag packing

- ⑤ Product number  
5231: 5231 STYLE

Unless Otherwise specified tolerance  
 X.  $\pm 0.30$  X.XX:  $\pm 0.15$   
 X.X:  $\pm 0.20$  X.XXX:  $\pm 0.05$

SCALE: As Shown	UNIT: mm
DRAW Tang Ming Xin	DATE 9/18/2021
CHECK BobYang	DATE 9/18/2021

ANTENK ELECTRONICS CO., LTD  
[Http://www.antenk.com](http://www.antenk.com)  
 E-mail: sales@antenk.com

TITLE: Cell Battery Contacts 5231

DRAWING NO: BS - M - SI - X - 5231

PRODUCT NO: BS - M - SI - X - 5231



REV	DESCRIPTION	DATE