

220 HP

## SD22C

Added power for coal operations

- ▶ Engine model: Cummins NT855-C280S10
- ▶ Net power: 162 kW/220HP/1800 rpm
- ▶ Operating weight: 24.6 t

### Product features

The SD22C coal bulldozer is a modified form of the SD22, featuring advanced performance, high reliability, low fuel consumption and convenient maintenance. The SD22C has a high-capacity coal-dozing blade and is equipped with an engine intake pre-filtering device, helping adapt it to transferring, paving and stacking operations often performed in coal mines and power plant coal yards.



shantui e-shop

# SHANTUI

VALUE THAT WORKS

Shantui Construction Machinery Co., Ltd.

ADDRESS:  
No. 58, G327 Highway  
Jining City, Shandong, CHINA

TEL: +86-537-2909369  
FAX: +86-537-2311219  
EMAIL: trade@shantui.com

# 220 HP SD22C

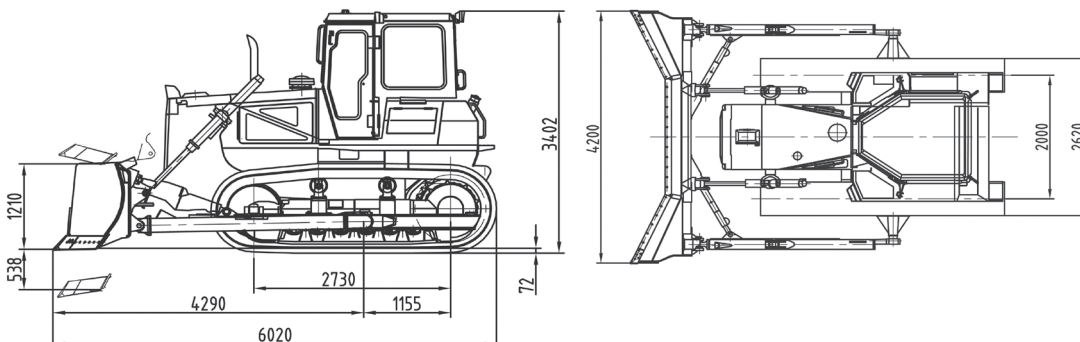
## Technical specifications:

Blade Type	Coal-blade
Min. ground clearance:	405 mm
Ground pressure:	0.066 MPa
Minimum turning radius:	3.3 m
Gradeability:	30°
Track gauge:	2000 mm

SD22C

	ENGINE	Model & type	Cummins NT855-C280S10 In-line, water-cooled 4-cycle, overhead valve direct injection, turbocharged diesel		
		Horsepower	Gross power: 175/235/1800 kW/HP/rpm // Net power: 162/220/1800 kW/HP/rpm		
		Number of cylinders	6-139.7 x 152.4 mm (bore x stroke)		
		Piston displacement	14.010 L		
		Min. fuel consumption	205 g/kW-h		
		Maximum torque	1030 N-m@1250rpm		
	POWER TRANSMISSION SYSTEM	Torque converter	3-element, 1 stage, 1 phase		
		Transmission	Planetary gear, multi-disc clutch, power shift, forced lubrication		
		Main drive	Spiral bevel gear, splash lubrication, single-stage speed reduction		
		Steering clutch	Wet, multi-disc, spring loaded, hydraulically separated, hydraulic control		
		Steering brake	Wet, floating band, foot brake with hydraulic booster		
		Final drive	2-stage speed reduction of spur gear, splash lubrication		
	TRAVEL SPEED	Gear	1st	2nd	3rd
		Forward	0~3.6 km/h	0~6.5 km/h	0~11.2 km/h
		Reverse	0~4.3 km/h	0~7.7 km/h	0~13.2 km/h
	UNDERCARRIAGE SYSTEM	Type	Swing type of sprayed beam, suspended structure of equalizer bar		
		Carrier rollers	2 each side		
		Track rollers	6 each side		
		Track type	Assembled, single-grouser		
		Width of track shoes	660 mm		
		Pitch	216 mm		
	HYDRAULIC SYSTEM	Maximum pressure	14 MPa		
		Pump type	Gear pump		
		Discharge	262 L/min		
		Bore of working cylinder × no.	120 mm × 2		
	BLADE	Blade type	Coal blade		
		Dozing capacity	9 m <sup>3</sup>		
		Efficiency (Theoretical value 40 m)	450 m <sup>3</sup> /h		
		Blade width	4200 mm		
		Blade height	1350 mm		
		Maximum drop below ground	540 mm		
		Lifting height of blade	1210 mm		
		Weight of blade	3464 kg		
	RIPPER (OPTIONAL)	Maximum digging depth of 3-shank ripper	666 mm		
		Maximum lift above ground	555 mm		
		Weight of 3-shank ripper	2495 kg		
		Maximum digging depth of single ripper	695 mm		
		Maximum lift above ground	515 mm		
		Weight of single ripper	2453 kg		

### OVERALL DIMENSIONS Coal blade



▶ THE SPECIFICATIONS ARE SUBJECT TO CHANGE WITHOUT NOTICE. THE PICTURES MAY INCLUDE OPTIONS. THE ACTUAL COLOR & APPEARANCE OF THE PRODUCT MAY DIFFER FROM WHAT IS SHOWN.