

Film capacitors – AC capacitors/薄膜电容--交流电容

Motor Run Capacitors/ 运转电容

Series/Type 系列/类型: CBB60 塑壳 S0

Date/日期:: 2020.10.07

Version: 1

Construction/结构

- Dielectric: polypropylene film/介质:聚丙烯膜
- Electrode: metallized film/电极:金属化膜
- Aluminum can, metal top/塑壳
- Filling material: Vegetable oil, RoHS compatible/灌注材料:环氧树脂,

与 RoHS 一致

Features /特点

- Self-healing properties /自愈能力
- Low dissipation factor /低损耗因子
- Overpressure disconnection safety device /过压断: 开安全装置
- S2 safety class as per IEC 60252-1 : 2011+A1
- 安全等级 S0 按安安全等级 S0 按 IEC 60252-1 : : 2011+A1
- High insulation resistance /高绝缘电阻

Typical applications/典型应用

- For general sine wave applications, mainly as motor run capacitor /应用于一般正弦波, 主要是马达运行电容

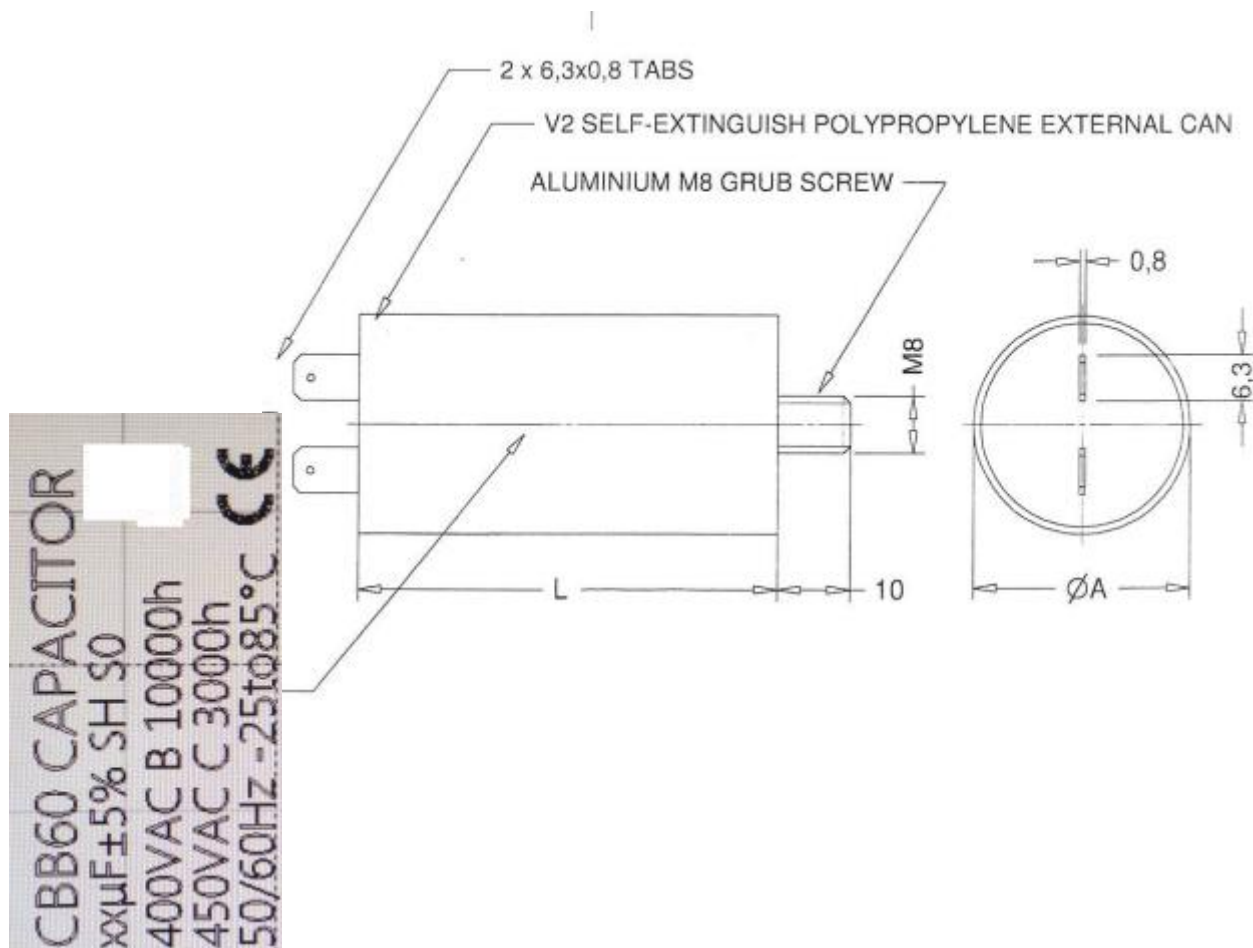
Terminals/端子

250# 1+1 快速连接端子/250# 1+1 fast-on terminal

Technical data and specifications/技术数据和规格	
Reference standards//参考标准	IEC 60252-1 : : 2011+A1 GB/T3667
Safety class to IEC 60252-1 2001-02安全等级(按IEC 60252-1 2001-02)	S0
Life expectancy to IEC 60252 2001预期寿命(按IEC 60252 2001)	Class C
Rated capacitance CR/额定电容CR	3.15uf 4uf 5uf
Tolerance/偏差	±5%
Rated voltage VR/额定电压/VR	450VAC
Rated frequency fR/额定频率/ fR	50/60 Hz
Maximum ratings /最大额定值	
Maximum permissible voltage Vmax /最大允许电压Vmax	1.1 · VR (VR = Rated voltage /额定电压)
Maximum permissible current Imax /最大允许电流Imax	1.3 · IR (IR = Rated current /额定电流)
Routine Test/常规测试	
AC test voltage terminal to terminal VT /端子间交流测试电压VT	2.0 · VR, 10s

Insulation voltage terminals to case /极壳间绝缘电压	3000 V AC, 2s
Insulation resistance R_{ins} or time constant τ /绝缘电阻 R_{ins} 或时间常数 τ at 20 °C, rel. Humidity $\leq 65\%$, 相对湿度 $\leq 65\%$ (minimum as-delivered values) (发布值的最小值)	10000 s
Dissipation factor $\tan \delta$ at 20 °C/20°C 的耗散因子 $\tan \delta$	$\leq 1.0 \cdot 10^{-3}$ (100 Hz)
Maximum rate of voltage risedV/dt _{max} /最大电压增长率 dV/dt _{max}	10 V/ μ s
Climatic data/气候数据	
Climatic category/气候种类	25/85/21 to IEC 60068-1
Lower category T_{min} /最低温度 T_{min}	-25°C
Upper category T_{max} /最高温度 T_{max}	+85 °C
Damp heat test t_{test} /湿热测试 t_{test}	21 days
Mechanical and thermal properties of terminal insulator material//顶部端子套盖材料的机械和热学特性	
Terminal material /端子材料 <ul style="list-style-type: none"> ■ UL 94 V2 compatiblecompatible/与UL 94 V2一致 ■ Grow wire test to IEC60335-1/IEC60695-2-1灼热丝测试（按照IEC60335-A/IEC 60695-2-1/1） ■ Part is compatible to EN 60335-1/部件符合EN60335-1 	Self-extinguishing within 2 seconds of withdrawing glow wire without Igniting wrapping tissue to GWT累计起燃时间不得超过2秒.
Compatibility to RoHS	
Compliance to directive 2002/95/EC	
Approvals: See table for approved ratings	

Dimensional drawings CBB60



V_R Vac	C_R µF	Case dimensions 外 壳尺寸 φ D × H mm	D1 mm	
450	3.15	25*58	25	
450	4	25*58	25	
450	5	30*57	30	