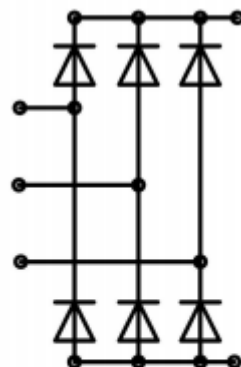
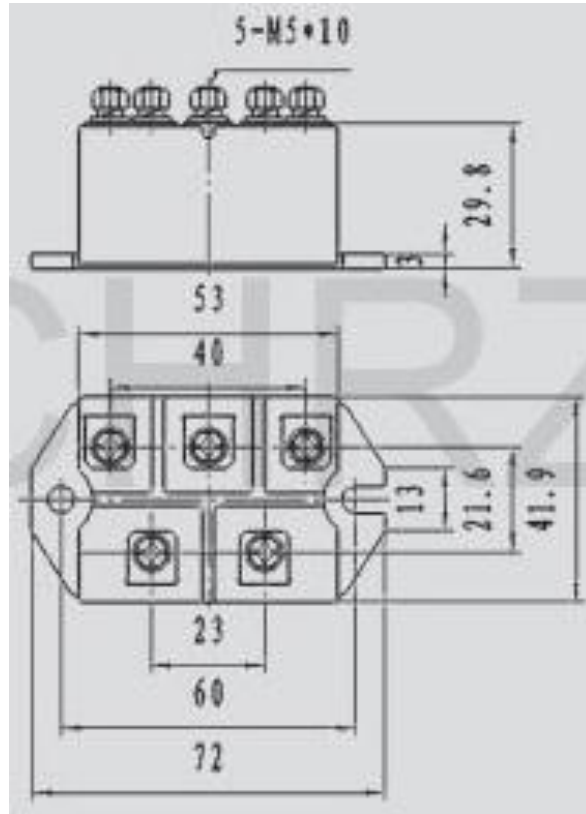


**TYPE : YZPST-SKD82-18**

Parameter	Symbol	Conditions	Values	Units
Repetitive Peak Off-State Voltage	$V_{DRM}$		-	V
Non Repetitive Peak Off-State Voltage	$V_{DSM}$		-	
Repetitive Peak Reverse Voltage	$V_{RRM}$		1800	V
Non Repetitive Peak Reverse Voltage	$V_{RSM}$		1900	V
Average Rectified Output Current	$I_{O(AV)}$	$T_C=85^{\circ}C$	80	A
Surge Forward Current	$I_{FSM}$	50Hz; Half Sine Wave,1Pulse, Non-Repetitive	750	A
I Squared t	$I^2t$	2msec to 10msec	2.8	$KA^2s$
Surge On-State Current	$I_{TSM}$	50Hz; Half Sine Wave,1Pulse, Non-Repetitive	-	A
I Squared t	$I^2t$	2msec to 10msec	-	$KA^2s$
Peak Forward Voltage	$V_{FM}$	$T_j=25^{\circ}C; I_F=150A$	1.60	V
Peak On-State Voltage	$V_{TM}$		-	
Peak Reverse Current	$I_{RM}$	$V_{RM}=V_{RRM}, T_j=150^{\circ}C$	6	mA
Critical Rate of Turned-On Current	$di/dt$	$V_D=2/3V_{DRM}, I_{TM}=2 \cdot I_O, T_j=125^{\circ}C$ $I_G=200mA, di_G/dt=0.2A/\mu s$	-	$A/\mu s$
Critical Rate of Rise of Off-State Voltage	$dv/dt$	$V_D=2/3V_{DRM}, T_j=125^{\circ}C$	-	$V/\mu s$
Gate Current to Trigger	$I_{GT}$	$V_D=6V, I_T=1A, T_j=25^{\circ}C$	-	mA
Gate Voltage to Trigger	$V_{GT}$		-	V
Holding Current	$I_H$		-	mA
Thermal Resistance	$R_{th(j-c)}$	Junction to Case	1.1	$K/W$
	$R_{th(c-f)}$	Case to Fin	0.07	$K/W$
	$T_{vj}$		-40~+150	$^{\circ}C$
	$T_{stg}$		-40~+125	$^{\circ}C$
	$V_{isol}$	a.c. 50Hz; r.m.s.; 1min.	3600	V
Mounting torque	M	Case mounting Terminals	5	N.m

OUTLINE DRAWING (Dimensions in mm)



**SKD**