



## YZPST-MFC92A/1200V

## Maximum Ratings

Symbol	Condition	Ratings	Unit
$I_T$ (AV)	Single phase, half wave, 180° conduction, $T_c: 85^\circ\text{C}$	90	A
$I_{TSM}$	$T_j=25^\circ\text{C}/T_j=125^\circ\text{C}$	2000/1750	A
$I^2t$	$T_j=25^\circ\text{C}/T_j=125^\circ\text{C}$	20000/15000	$\text{A}^2\text{S}$
$(di/dt)_{cr}$	$T_j=125^\circ\text{C}$	100	A/us
Viso	A.C.1min	2500	V
$T_j$		-40~+125	$^\circ\text{C}$
$T_{stg}$		-40~+125	$^\circ\text{C}$
W		100	g

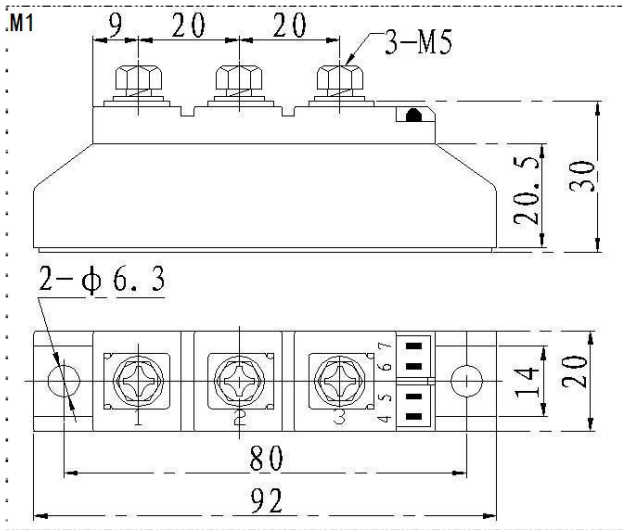
## Electrical Characteristics

Symbol	Condition	Ratings	Unit
$V_{DRM}/V_{RRM}$		1200/1200	V
$I_{DRM}$	At $V_{DRM}$ , Single phase, half wave, $T_j=125^\circ\text{C}$	20	mA
$I_{RRM}$	At $V_{DRM}$ , Single phase, half wave, $T_j=125^\circ\text{C}$	20	mA
$V_{TM}$	On-State Current 300A, $T_j=25^\circ\text{C}$	1.75	V
$I_{GT}/V_{GT}$	$T_j=25^\circ\text{C}$ , $I_T=1\text{A}$ , $V_D=6\text{V}$	150/2.5	mA/V
$V_{GD}$	$T_j=125^\circ\text{C}$ , $V_D=1/2V_{DRM}$	0.25	V
$DV/DT$	$T_j=125^\circ\text{C}$ , $V_D=2/3V_{DRM}$ ,	500	V/us
$I_H$	$T_j=25^\circ\text{C}$	200 (max)	mA
$I_L$	$T_j=25^\circ\text{C}$	400 (max)	mA
$R_{th}(j-c)$	Per module, sin180	0.15	$^\circ\text{C}/\text{W}$



YZPST-MFC92A/1200V

Case Outline And Dimensions



Features

- ★ Standard voltage
- ★ Electrically isolated base plate
- ★ High surge capability
- ★ Hard soldered joints for high reliability

Typical Applications

- ★ DC motor control(e.g. for machine tools)
- ★ AC motor soft starters
- ★ Temperature control(e.g. for ovens,chemical processes)
- ★ Professional light dimming(studios,theaters)

