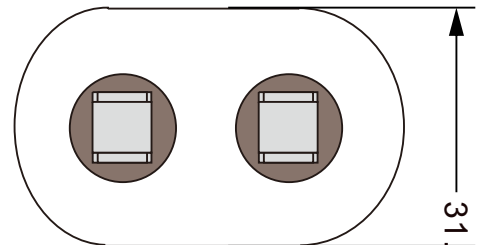
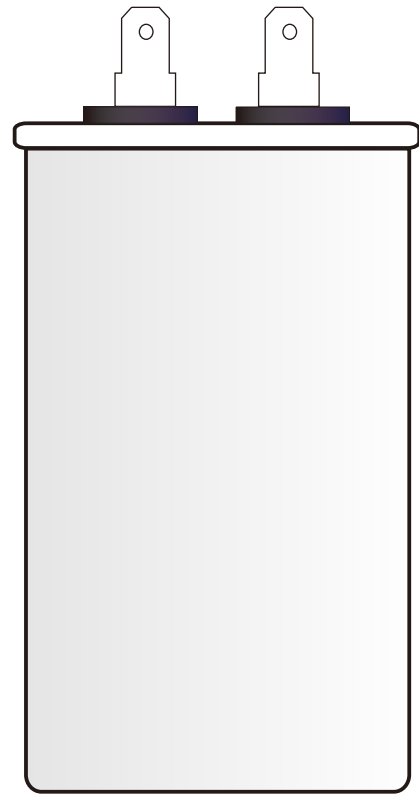
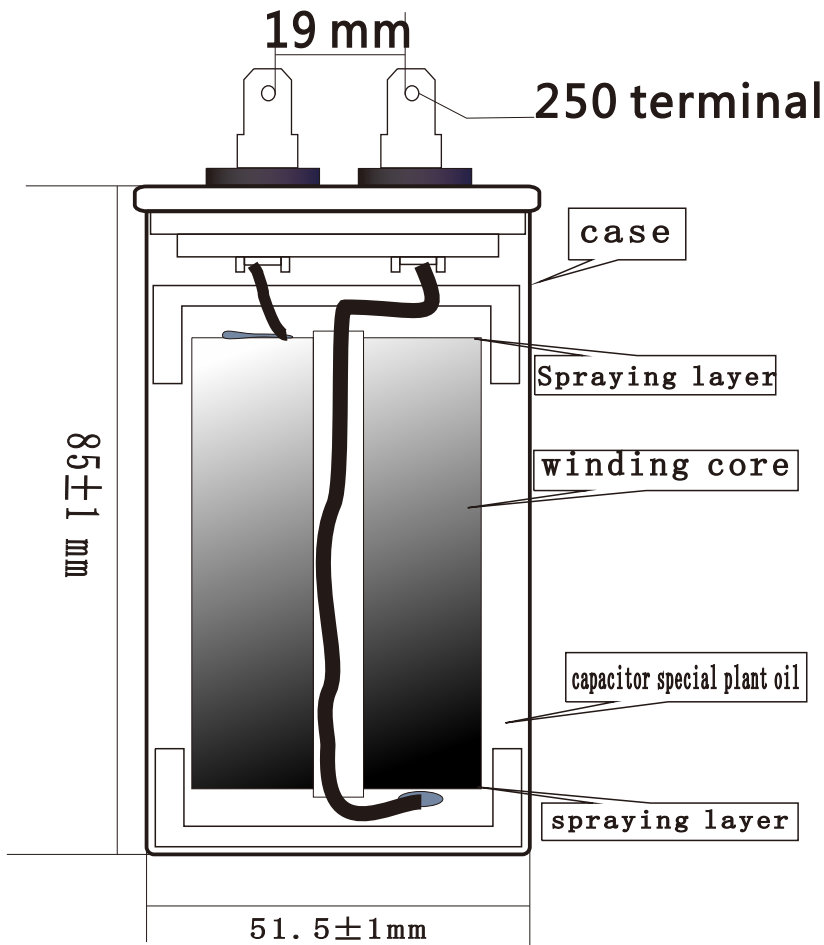


product specification

12.5 μ F/450V

Drawing number



31.50 mm

Appearance view

Process parameters

Serial number	Name	Specification type	Remark
1			Bopp PolyPropylene film
2		31.5*51.5*85	Anti-aluminum case
3			130/50/5mm (0.5Wire)
4	SHUGUANG 1		Colorless transparent
5			

Technical requirement

- 1 Operate according to process
- 2 Capacitance Tolerance $\Delta C \pm 5\%$
- 3 Loss Tangent $tg\delta \leq 0.0040(1000Hz)$
- 4 voltage withstand **2UN, 2S non-breakdown between poles; pole to case 2UN+1000V, 10S** without breakdown and flashover

Drawing mark	Quality	scale	Capacitor Structural drawing	Draw up		
				Review		
				Approval		2019.04
		1:1				