

Technical Specification and Drawing
2500KVA-11/0.55KV
DISTRIBUTION TRANSFORMER
No.2014016

JIANGSHAN SCOTECH ELECTRICAL CO., LTD

Add: No.8 Xinggong 1st Road, Jiangshan, Zhejiang, China

Name: Scott Lee

Tel: +86 13857027511

E-Mail: info@scotech.com

Skype: [dragonelectric123](https://www.skype.com/people/dragonelectric123)

Web: www.scotech.com



JIANGSHAN SCOTECH ELECTRICAL CO.,LTD

Technical Data Sheet

No.	Basic information	Unit	Guaranteed
1	Manufacturer		Jiangshan Scotech Electrical Co.,Ltd
2	Standard		IEC60076
3	Type		Oil immersed distribution transformer
4	Installation		Outdoor
5	Altitude	M	≤1000
6	Rated power	KVA	2500
7	Primary voltage	KV	11
8	Secondary voltage	KV	0.55
9	Vector group		Dyn11
10	Rated Frequency	HZ	50
11	Cooling		ONAN
12	Number of windings		2
13	Number of phases		3
14	Type of tap Changer		NLTC
15	Tapping range		±2*2.5%@primary side

JIANGSHAN SCOTECH ELECTRICAL CO.,LTD

16	Impedance	%	6
17	No-load loss	KW	3.8
18	On load loss	KW	19
19	Basic insulation level		
19.1	Basic impulse lighting withstand voltage- primary side(BIL)	KV	75
19.2	Power Frequency withstand voltage- primary side	KV	28
19.3	Basic impulse lighting withstand voltage- secondary side(BIL)	KV	N/A
19.4	Power Frequency withstand voltage- secondary side	KV	5
19.5	Oil temperature rise @ rated service condition	K	50
19.6	Winding temperature rise @ rated service condition	K	55
20	Material		
20.1	Winding material		Cu
20.2	Core material		Grain oriented silicon steel sheet
20.3	Coolant material		PCB free transformer mineral oil
20.4	HV bushing material		Porcelain
20.5	Neutral bushing material		Porcelain
20.6	LV bushing material		Porcelain

JIANGSHAN SCOTECH ELECTRICAL CO.,LTD

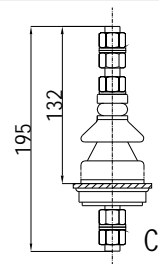
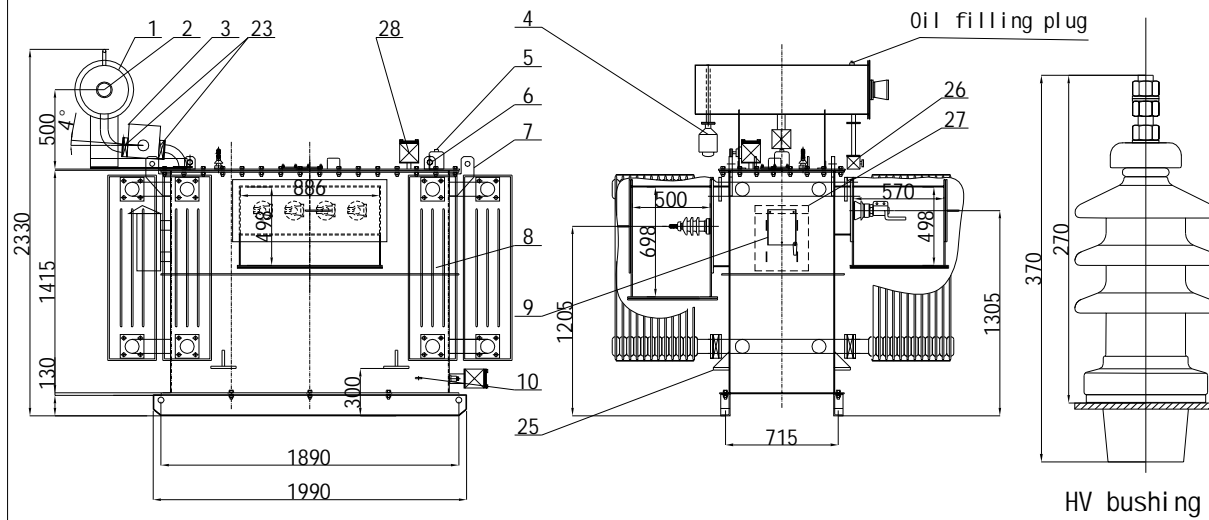
21	Dimension and weight		
21.1	Transport Dimension(L*W*H)	mm	As per drawing
21.2	Transport Weight	kg	As per drawing
21.3	Overall Dimension(L*W*H)	mm	As per drawing
21.4	Total Weight	kg	As per drawing
22	Others		
22.1	Location of HV bushings		Mounted on side of tank inside cable box
22.2	Location of LV bushings		Mounted on side of tank inside cable box
22.3	Location of Neutral bushings		Mounted on side of tank inside cable box
23	Accessories	QTY	Remarks
23.1	Hot dip galvanized radiator	1	/
23.2	Oil temperature indicator with alarm and trip contacts	1	/
23.3	Pressure relief valve	1	/
23.4	Oil level indicator	1	/
23.5	Buchholz relay with alarm and trip contacts	1	/
23.6	Oil conservator	1	/
23.7	Breather	1	/

JIANGSHAN SCOTECH ELECTRICAL CO.,LTD

23.8	Oil sample valve	1	/
23.9	Oil drain valve	1	/
23.10	Oil filling valve	1	/
23.12	Earthing terminal	1	/
23.13	Terminal box	1	Stainless steel
23.14	Lifting lugs	4	For top cover and whole unit
23.15	Skid base	1	/
23.16	No load tap changer	1	/

CONFIDENTIAL

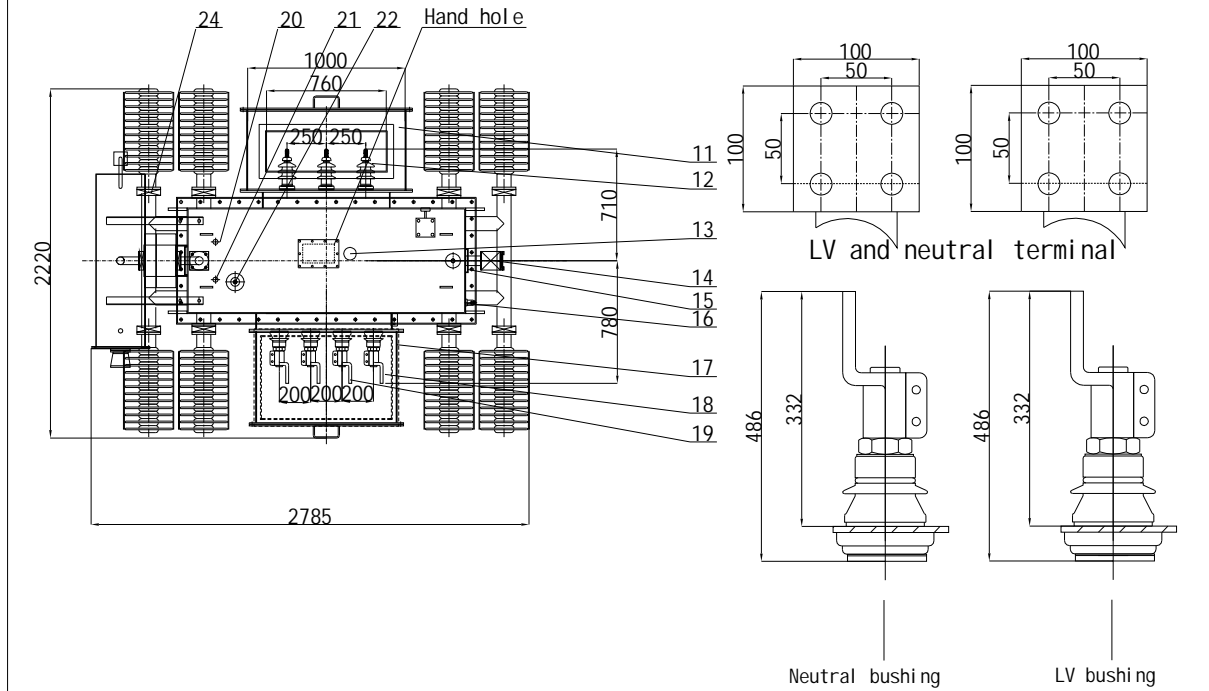




Core earth bushing

Weight (KG)		
Active part	Oil	Total
3420	1310	6050

28	The filter valve	1	φ25 valve		
27	Terminal box	1	Steel		
26	Conservator oil drain valve	1	φ25 valve		
25	Jacking pads	4			
24	Radiator isolating valve	16	φ80Valve		
23	Isolating valve	2	φ50Valve		
22	Core earthing bushing	1	BF-1/315		
21	Thermometer tube	1			
20	Thermometer tube	1			
19	LV bushing	3	BF-1/3000		
18	Neutral bushing	1	BF-1/2000		
17	LV cable box	1			
16	Oil drain valve	1			
15	Rating plate base	1			
14	Tank oil drain valve	1	φ25 valve		
13	No-load tap changer	1	WSP11-125/10-6*5		
12	HV bushing	3	BJL-10/315		
11	HV cable box	1			
10	Earthing steel plate	1			
9	Temp. controller base	1	BWY802AG(TH)		
8	Radiator	8	PC-1000-10/310		
7	Lifting hook	4			
6	Lifting lugs	4			
5	Pressure relief valve	1	YSF4-35/50		
4	Silica gel breather	1	0.5KG		
3	Gas relay	1	QJ1-50A		
2	Oil level gauge	1	YZF2-140		
1	Conservator	1	φ440*1000		
No.	Code	Name	QTY	Material	



2500KVA-11/0.550
Dyn11
Transformer

Jiangshan Scotech
Electrical Co., Ltd.