



WWW.YILONGMACHINERY.COM

品质 ◆ 服务 ◆ 诚信
QUALITY SERVICE INTEGRITY



扫描手机访问
(Wap Bay Scon)



微信公众号
(WeChat Public Number)



创造更洁净的世界
**Resources unlimited recycled
create a cleaner world**

我们的努力是为了实现您的价值和利益的最大化
Our commitment is to maximize your value and profits

合理 • 周到 • 精确 • 高效

目录 CONTENTS

Gold Supplier

阿里巴巴 | 中国供应商

企业简介.....	1-2
Company introduction	
企业资质.....	3-4
Enterprise qualification	
产品大类划分.....	5
Product class	
裂解设备可使用原材料/型号.....	6
The raw material can be used for pyrolysis machine/Model	
裂解设备工艺流程图.....	7
Pyrolysis machine flow chart	
裂解设备配置.....	8
Pyrolysis machine design	
裂解设备备件.....	9
Optional parts for pyrolysis machine	
油品技术参数.....	10
Techical parameters of oil	
轮胎切割机.....	11
Tyre cutting machine	
轮胎破碎机.....	12
Tyre crush machine	
裂解运转设备.....	13-14
Operation machine	
炭黑精炼设备.....	15
Carbon black refining machine	
炭黑造粒设备.....	16
Carbon black make pellet machine	
蒸馏设备.....	17-18
Distillation machine	
柴油检测报告.....	19
Diese oil testing report	
蒸馏设备运转设备.....	20
Running distillation machine	
来访客户.....	21-22
Customer visit	
售后服务保障.....	23-24
After sale service	

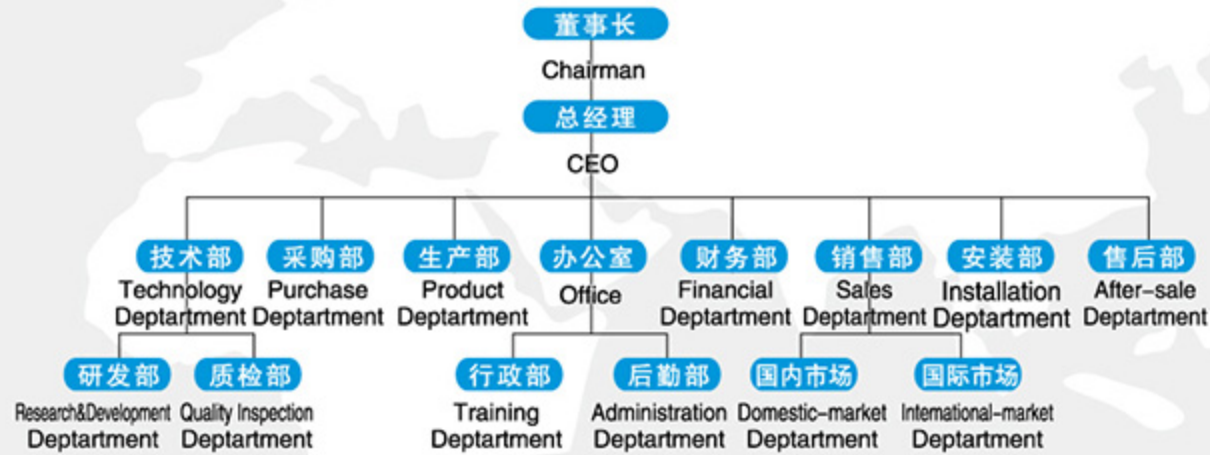


发展历史(History)

- 成立于1998年，主要做国内市场
(Was founded in 1998, main business is domestic market)
- 2011年开始做产品出口，新注册了商丘亿龙机械设备有限公司。
Register one new company in 2011 because start international market export business.
- 占地面积(Cover area)
工厂占地: 40000平方米(Factory area: 40000 square meters)
办公区域: 1500平方米(Office area: 1500 square meters)
- 主要市场(International market)
 - 中国大陆: 33%
 - Chinese Mainland: 33%
 - 南亚: 11% (印度/巴基斯坦/孟加拉国/尼泊尔...)
 - South Asia: 11% (India/Pakistan/Bangladesh/Nepal...)
 - 东南亚: 14% (泰国/菲律宾/马来西亚/柬埔寨/缅甸...)
 - Southeast Asia (Thailand/ Philippines/Malaysia/Cambodia/myanmar...)
 - 中亚: 4% (哈萨克斯坦/吉尔吉斯斯坦...)
 - Central Asia: 4% (/ kyrgyzstan, kazakhstan...)
 - 东亚: 3% (韩国)
 - East Asia: 3% (South Korea)
 - 中东: 8% (伊朗/伊拉克/阿富汗/巴勒斯坦..)
 - Middle East: 8% (Iran/Iraq/Afghanistan/Palestine...)
 - 欧洲: 15% (波兰/保加利亚/土耳其/塞尔维亚/捷克/葡萄牙/乌克兰...)
 - Europe: 15% (Poland/Bulgaria/Turkey/Serbia/Czech/Portugal/Ukrafne...)
 - 非洲: 7% (尼日利亚/肯尼亚/苏丹/南非...)
 - Africa: 7% (Nigeria/Kenya/Sudan/South africa...)
 - 美洲: 5% (牙买加/哥伦比亚)
 - America: 5% (Jamaica/Colombia)

尽我们最大努力**满足**客户所有**需求**!
商丘亿龙机械设备有限公司期待与您的合作!

● 公司组织架构图



● 公司目标:

做一流的产品! 做一流的服务! 做一流的质量!

Do first-class products, first-class service, first-class quality!

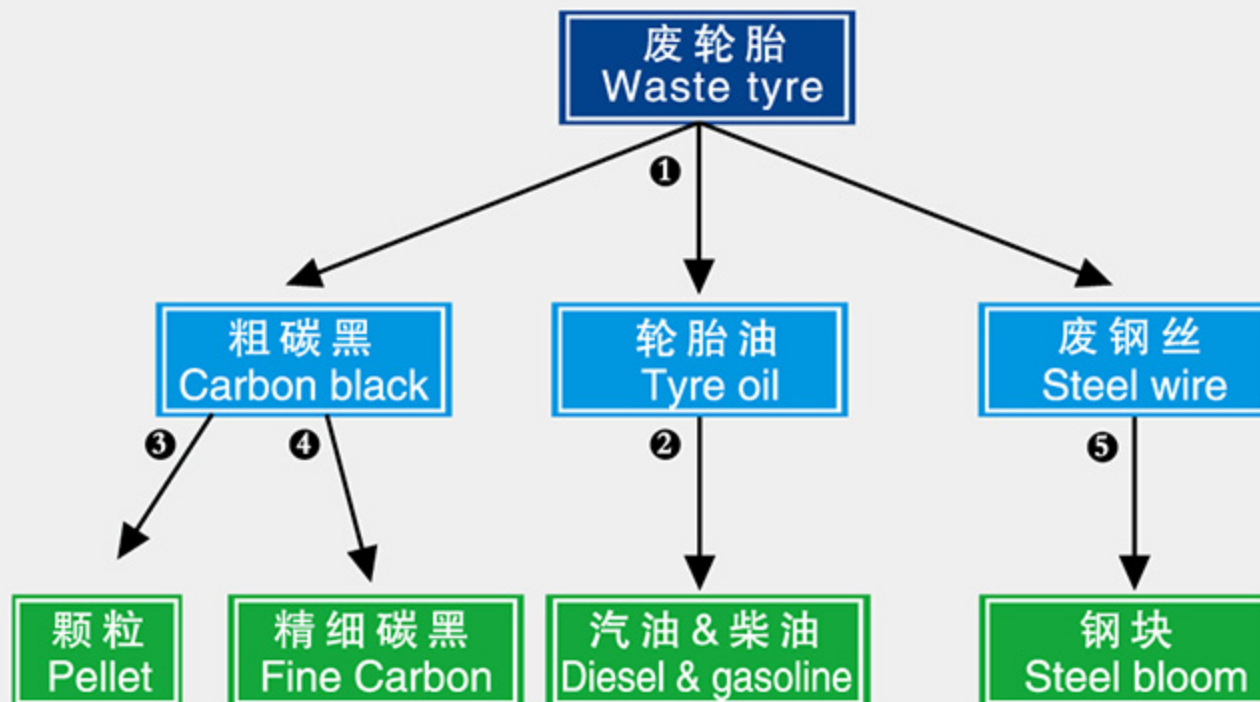
多项权威认证，屡获行业殊荣

Ertification authority and industry awards



Product Classification

产品大类划分



① 裂解设备

③ 炭黑造粒设备

⑤ 液压钢丝打包机

② 蒸馏设备

④ 炭黑精炼设备

① Pyrolysis machine

③ Carbon make pellet machine

⑤ Hydraulic briquetting machine

② Oil distillation machine

④ Carbon refining machine

The raw material can be used for pyrolysis machine

裂解设备可使用原材料



废塑料(waste plastic)
油泥(Oil sludge)
废电缆皮(Scrap cable skin)
废轮胎(Waste tyre)



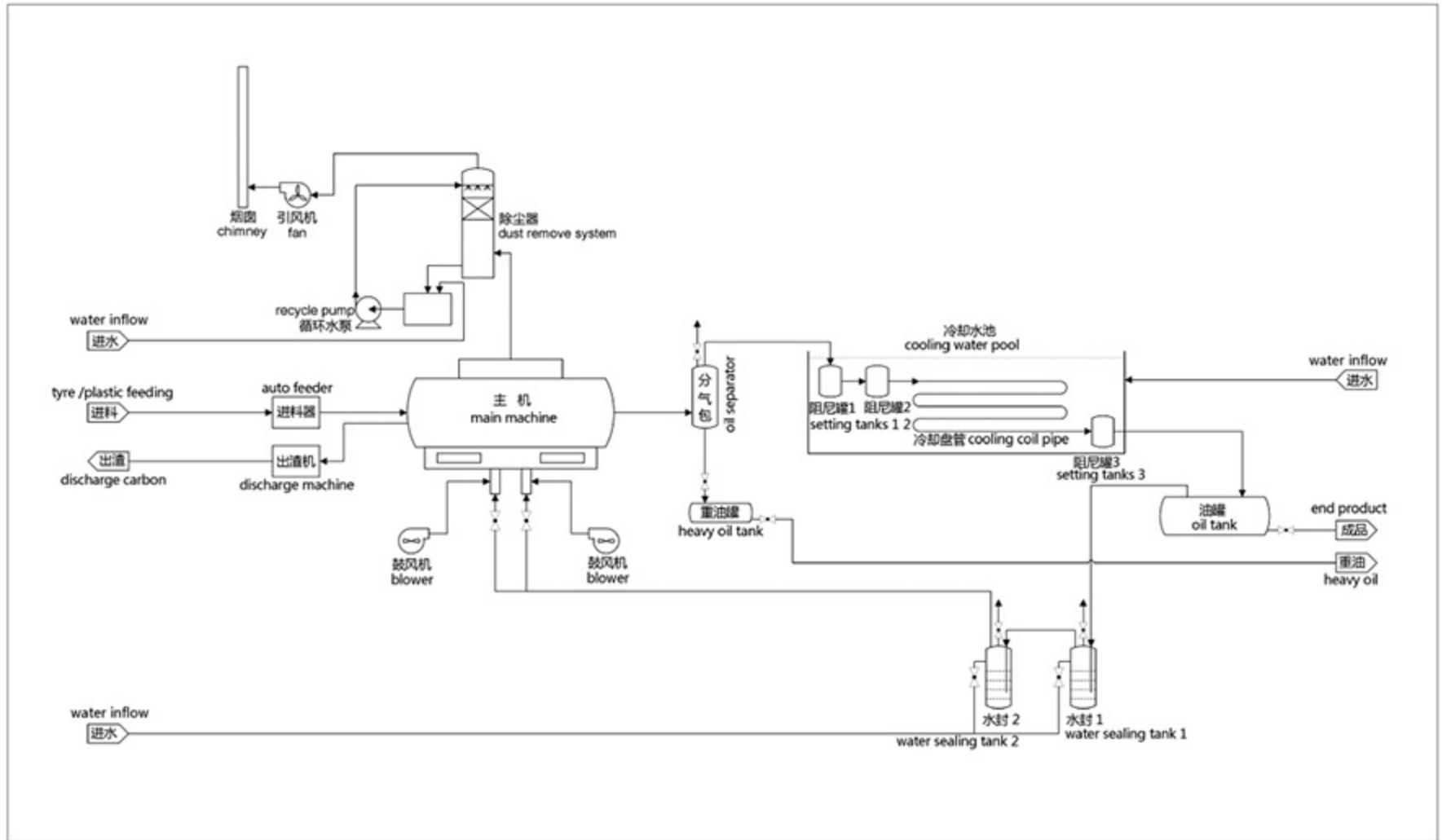
皮革边角料(Leather scrap)
废亚克力(Waste acrylic)
废鞋底(Waste sole)
废橡胶(waste rubber)

裂解设备型号 Pyrolysis machine model

序号(NO.)	型号(Model)	主机尺寸(Main machine size)	处理量(吨/炉)Capacity(ton/batch)
1	LL-2200 × 6000	2200 × 6000mm × 14mm	5
2	LL-2200 × 6600	2200 × 6600mm × 16mm	6
3	LL-2600 × 6000	2600 × 6000mm × 16mm	8
4	LL-2600 × 6600	2600 × 6600mm × 16mm	9
5	LL-2800 × 6000	2800 × 6000mm × 16mm	10
6	LL-2800 × 6600	2800 × 6600mm × 16mm	12
7	LL-2800 × 7500	2800 × 7500mm × 16mm	15

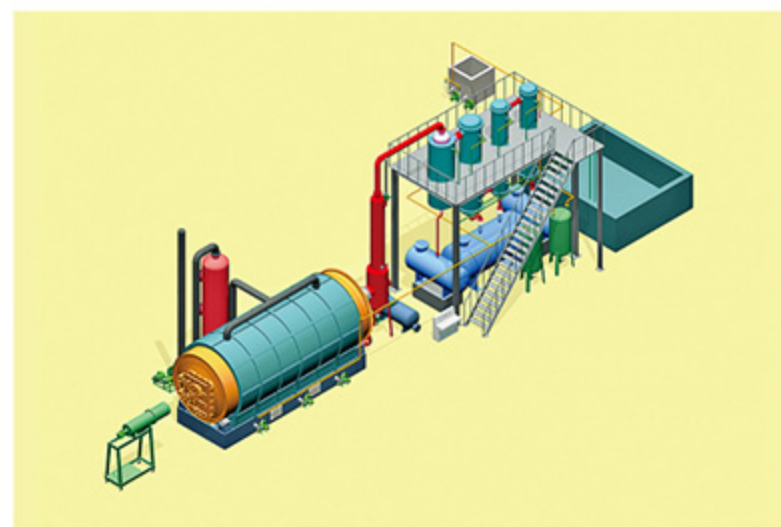
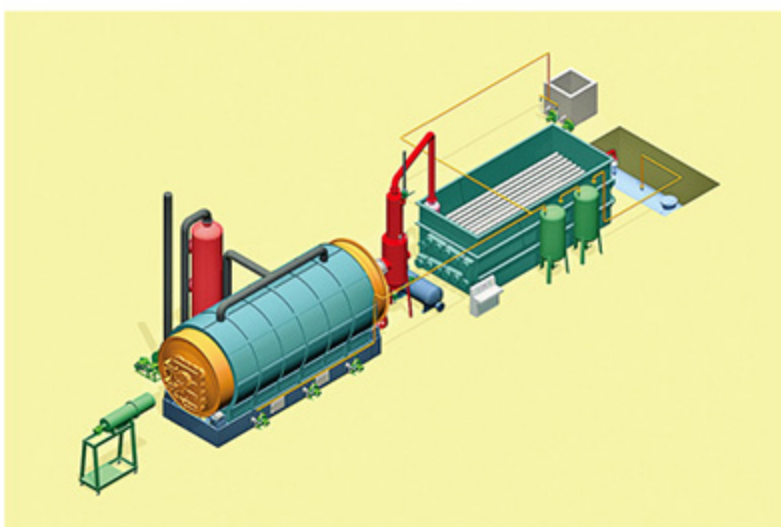
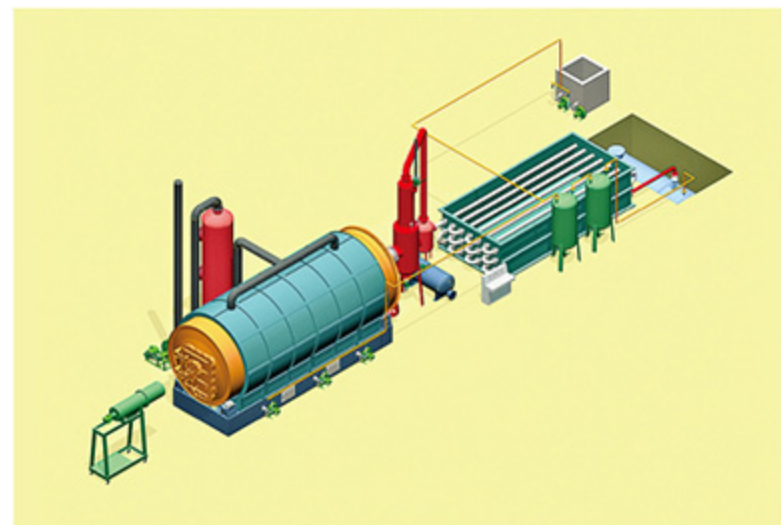
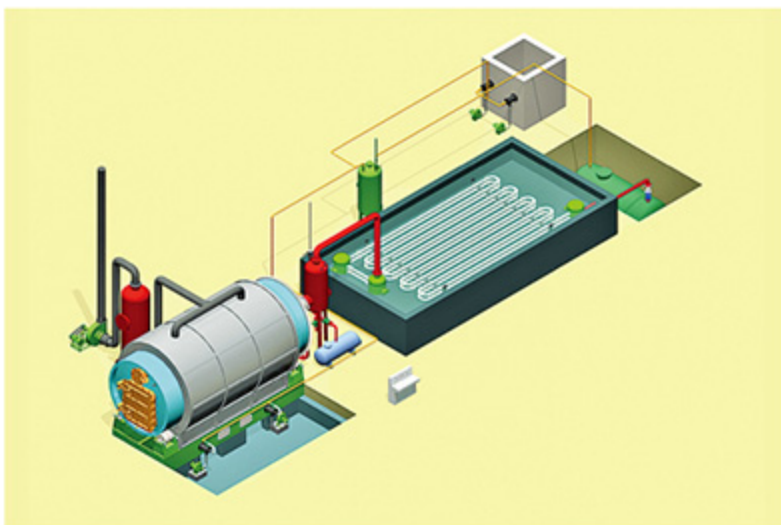
Pyrolysis machine flow chart

裂解设备工艺流程图



Pyrolysis machine design

裂解设备配置



Optional parts for pyrolysis machine

裂解设备备选件

技术

引领世界脚步

TECHNIQUE LEADING THE WORLD TREND

● 自动进料机 Auto feeder



● 输送带 Conveyor belt



● 出钢丝机 Take out steel wire machine from reactor



● 冷却塔 Cooling tower



● 快速出渣机 Automatic carbon discharger



● 燃烧机(油/天然气) Gas/oil burner



Technical parameters of oil

油品技术参数

轮胎油的技术参数

The technical parameter of tire oil

项目(Ltem)	轮胎油(Tire Oil)
密度(Density) g/cm ³	0.87-0.90
凝点(Freezing Point) °C	-10
闪点(Flash Point) °C	50
运动粘度(Kinematic Viscosity) Mpa.s	6
燃烧值(Combustion Value) kj/kg	10500

塑料油的技术参数

The technical parameter of plastic oil

项目(Ltem)	单位(Unta)	塑料油(Plastic Oil)
密度(Density)	g/cm ³	0.82-0.83
凝点(Freezing Point)	°C	10
闪点(Flash Point)	°C	40
运动粘度(Kinematic Viscosity)	Mpa.s	8
燃烧值(Combustion Value)	kj/kg	9500

Tyre cutting machine

轮胎切割机



切圈机 Ring cutter

生产能力(条/小时) Productivity	电机功率(KW) Power
50条piece/h	3KW
主机转速 Spindle speed	重量(kg) Weight
56.8r/min	500kg
外形尺寸(mm) Dimensions	
1800 × 900 × 1500mm	



圈口钢丝分离机 Steel wire separator

生产能力(条/小时) Productivity	设备功率(KW) Power
60条piece/h	11kw
主机转速 Spindle speed	重量(kg) Weight
95r/min	1100kg
外形尺寸(mm) Dimensions	
1500 × 900 × 1300mm	



切条机 Strips cutter

生产能力(条/小时) Productivity	电机功率(KW) Power
1700m/h	4KW
主机转速 Spindle speed	重量(kg) Weight
74m/h	900kg
外形尺寸(mm) Dimensions	
1400 × 800 × 1500mm	

液压切断机 Hydraulic tyre cut machine



Model	QDY700
Motor(kw)	5.5
Processing range(mm)	750-1200
Weight(kg)	1800
Dimension(mm)	1720 × 750 × 1880
Production	10-30pieces tire/hour



切块机 pieces cutter

生产能力(条/小时) Productivity	电机功率(KW) Power
1000kg/h	7.5KW
主机转速 Spindle speed	重量(kg) Weight
74m/h	800kg
外形尺寸(mm) Dimensions	
1000 × 900 × 1150mm	

液压抽钢丝机 Hydraulic remove steel machine



Model	QDY700
Motor(kw)	5.5
Processing range(mm)	750-1200
Weight(kg)	1800
Dimension(mm)	1720 × 750 × 1880
Production	10-30pieces tire/hour

Tyre crush machine

轮胎破碎机



1200型轮胎破碎机

1200 Model fully automatic tyre crush machine

序号(NO.)	项目(Item)	参数(Parameter)
1	进料尺寸(Feeding size)	≤1200以下整个轮胎; ≤1200 whole tyre
2	出料尺寸(output size)	60 × 60mm
3	处理量(capacity)	2-4吨/小时 2-4T/H
4	总功率(Total Power)	120 KW
5	重量(Weight)	15.6 T
6	包装(package)	1 × 40HQ

800型轮胎破碎机

800 Model fully automatic tyre crush machine

序号(NO.)	项目(Item)	参数(Parameter)
1	进料尺寸(Feeding size)	≤800以下整个轮胎; ≤800 whole tyre
2	出料尺寸(output size)	50 × 50mm
3	处理量(capacity)	1-1.5吨/小时; 1-1.5T/H
4	总功率(Total Power)	50 KW
5	重量(Weight)	7.5 T
6	包装(package)	1 × 20HQ



Beyond the self **TO**
超越自我 共创辉煌 create brilliant

Operation machine 裂解运转设备



Operation machine

裂解运转设备



Carbon black refining machine

炭黑精炼设备

国家炭黑质量监督检验中心
检测报告

YILONG MACHINERY

序号	产品名称	规格	数量	生产日期	检验日期
1	炭黑	3300	1000	2023.10.10	2023.10.10
2	炭黑	3300	1000	2023.10.10	2023.10.10
3	炭黑	3300	1000	2023.10.10	2023.10.10
4	炭黑	3300	1000	2023.10.10	2023.10.10
5	炭黑	3300	1000	2023.10.10	2023.10.10
6	炭黑	3300	1000	2023.10.10	2023.10.10
7	炭黑	3300	1000	2023.10.10	2023.10.10
8	炭黑	3300	1000	2023.10.10	2023.10.10
9	炭黑	3300	1000	2023.10.10	2023.10.10
10	炭黑	3300	1000	2023.10.10	2023.10.10

YILONG MACHINERY

炭黑检测报告
Carbon black test report



炭黑生产线 Carbon black production line

Carbon black make pellet machine

炭黑造粒设备



Continuous distillation machine

连续式蒸馏设备

- 蒸馏设备可使用原材料
The raw material can be used for distillation machine



废机油(used engine oil)



轮胎油(tyre oil)

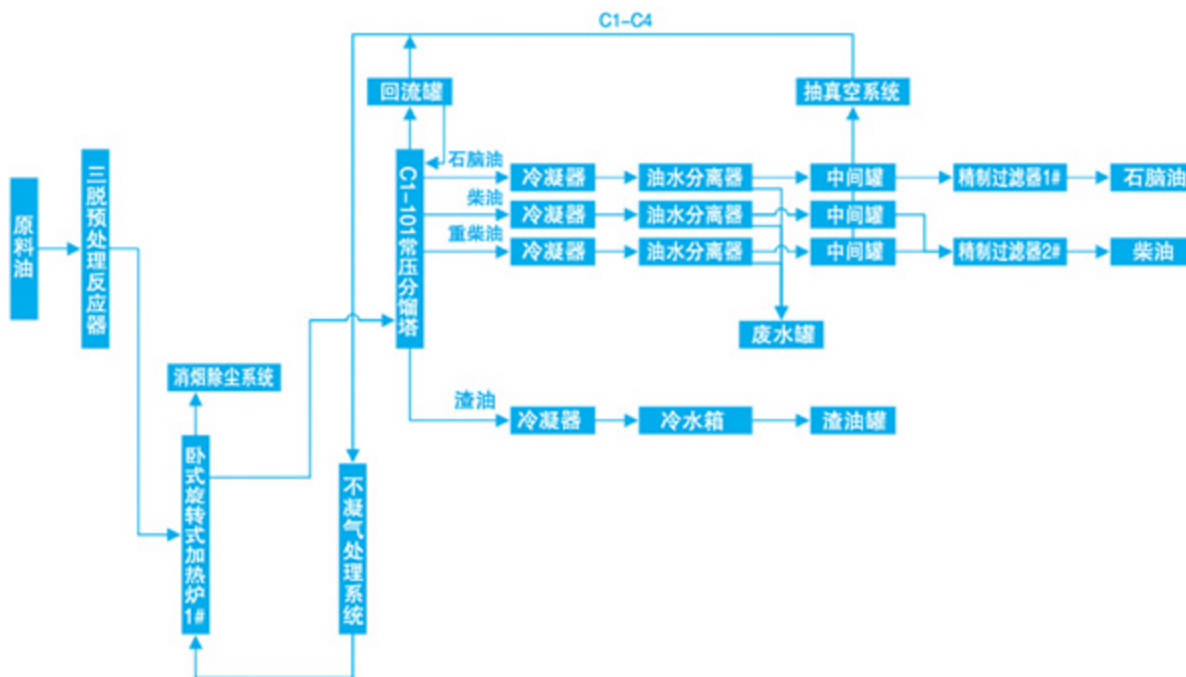


塑料油(plastic oil)



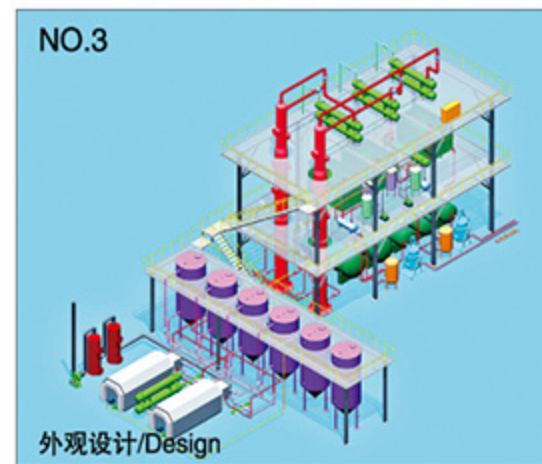
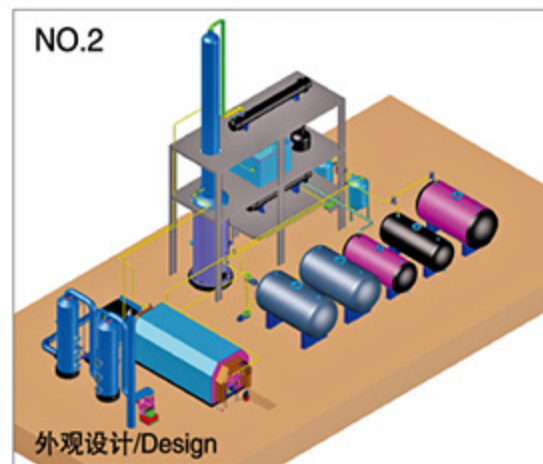
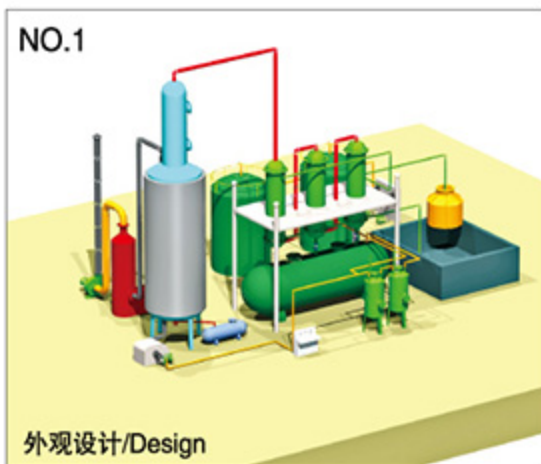
原油(crude oil)

- 连续蒸馏设备工艺流程图
The process flow diagram



Distillation machine

蒸馏设备



可根据终端产品的不同用途选择不同的配置
Choose different design according end product different usage

区别/Difference	NO.1	NO.2	NO.3
自动化/Automatic	无/None	半自动/Semi-Automatic	全自动/Fully-Automatic
连续化/Continuous	无/None	半连续化/Semi-Automatic	连续化/Continuous
PLC 控制/PLC Control	无/None	无/None	是/Yes
终端产品颜色/End Production Color	类似于柴油/Looks like Diesel	类似于柴油/Looks like Diesel	同柴油一样/Same as Diesel
终端产品气味/End Production Smell	不像柴油/Not Like diesel	类似于柴油/Looks like Diesel	同柴油一样/Same as Diesel
柴油标准/Diesel Standard	每一项都不符合柴油标准/Nothing index meet standard	某些指标符合柴油标准/Some index meet standard	所有指标(除硫含量)都符合国际柴油标准 All meet standard, only sulfur content difficult to meet Euro/National standard
储存一段时间后的变化 Appearance After storage for a while	储存一段时间后颜色和气味将和塑料/轮胎油一样 Color and smell will be same as tire/plastic oil after storage for a period	储存一段时间后颜色和气味将和塑料/轮胎油一样 Color and smell will be same as tire/plastic oil after storage for a period	颜色和气味与柴油一样并能固色固味6个月以上 Diesel fixed color and smell can be kept as long as 6 months
处理工艺/Handling Process	物理反应/Physical Reaction	物理和简单化学反应/Physical and Simple Chemical Reaction	化学反应/Chemical Reaction
终端产品用途/Usage	燃料油用于加热/Heating as Furnace Oil	用于船舶, 拖拉机等可以用粗柴油的机器 Boat, tractors which can adopt crude diesel	动力油和发电机 Power oil for engines and electric generator

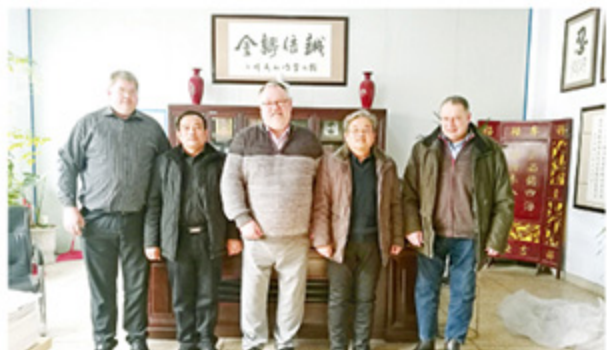
Running distillation machine

蒸馏设备运转设备



来访客户

Customer visit



始于客户需求，终于客户满意
Begin from Customer Demand; End with Customer Satisfaction



来访客户 Customer visit

携手
Hand in hand 共进

WWW.YILONGMACHINERY.COM 合作 Win-win cooperation
共赢



After-sale service

售后服务

优质的售后服务是企业品牌的象征和实力的标志。我们始终本着“一切追求高质量，用户满意为宗旨”的精神，以“最优惠的价格、最周到的服务、最可靠的质量”为原则，竭诚为广大用户服务。

High Quality of after-sales service symbolizes our brand and our ability. We pursue not only the good quality of our products, but also the good after sales services. Your satisfaction with us is our final purpose

■ 完善的管理体系
Perfect management system

■ 先进的生产技术
Advanced production technology

■ 创新的设计理念
Innovative design concept

■ 精良的制造工艺
Sophisticated manufacturing process

■ 严格的质量流程
Strict quality process



管理
MANAGE



创新
INVENTION



团队
TEAM



服务
SERVICE



沟通
COMMUNICATION



执行
EXECUTE



After-sale service 售后服务

始于客户需求，终于客户满意

Begin from Customer Demand; End with Customer Satisfaction

WWW.YILONGMACHINERY.COM

优质服务 High quality service



1

终身保修产品 跟宗服务二年
Tracking service for products
for two years, lifetime warranty

2

维修和调换服务
Maintenance and replacement
service

3

易损件使用周期提醒易损件
有偿提供
Reminding for the service life of
the wearing parts/Paid to provide

4

国外指导安装
Installation guide for customer
from both china and abroad

5

工程师全程安装、指导和培训
Whole process install, guide, training
from our engineer

6

客户档案数据库
Profile dalabase for customer

卓越品质 Excellent quality

专注于
裂解设备 蒸馏设备
Devoted to the field of the Pyrolysis Machine
and Distillation Machine **设备领域**



商丘亿龙机械设备有限公司

SHANGQIU YILONG MACHINERY EQUIPMENT CO.,LTD

电话(Tel): 0370-2940008

传真(Fax): 0370-2288816

邮箱(E-mail): yilongmachinery@163.com

微信公众号: (WeChat public number): yilonglingling

地址: 河南省 商丘市 梁园产业集聚区 亿龙工业园

Add: Yilong industrial park , liangyuan industry gathering area ,
shangqiu city ,henan province,China.

