

# X2-LC83 Series

Pushbutton Switches



## SPECIFICATION

Electrical Rating : 15A 250VAC/125VAC(UL)  
10(4)A 250VAC(VDE)

Mechanical life: Over 30000 cycles

Electrical life: Over 10000 cycles

Contact resistance: <20mΩ

Insulation resistance: >1000MΩ

High voltage resistance: >1500V 1 min.

Ambient temperature: Terminal side -20 to +85°C

Actuating side -20 to +55°C

Storage temperature: -30 to +80°C Max

Atmospheric humidity: Max.85%

Actuating force: 3 to 6N(Depends on different switch function)

Flammability: 94V-2

Temperature rise at the terminal: Max 30°C (UL1054)

Solder ability of terminal: Max 350°C, 3s

## MATERIALS

Housing: PA66

Rocker: PC

Contacts: Silver alloy

Terminal: Copper silver plated

Spring: SUS

Movable Arm: Copper silver plated

Lamp: Neon Lamp, Tungsten Lamp



Bracket: PA66



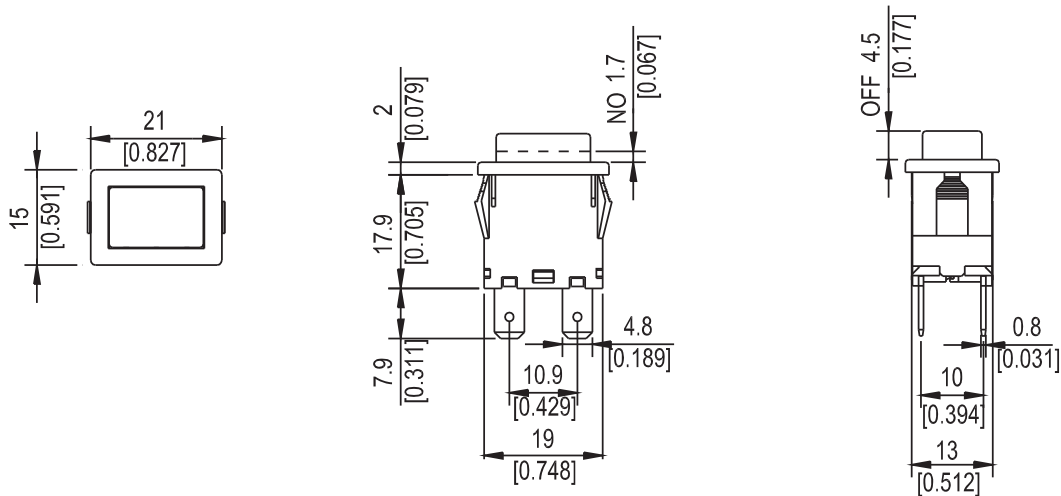
## HOW TO ORDER

<b>X2-LC83</b>	<b>01</b>	<b>K</b>	<b>K</b>	<b>E</b>	<b>T</b>	<b>0</b>	<b>C</b>
Series	Switch Function	Housing Color	Actuator Color	Marking	Terminal Type	Lamp Voltage	Safety Approval
Series				E No Marking			
01 ON - OFF			W White			0 No lamp	
02 (ON) - OFF			K Black			1 125V AC	
03 ON-OFF (with lamp)			R Red			2 250V AC	C 4 Safety Approvals
04 (ON) - OFF(with lamp)		W White	Y Yellow(illu)			3 12V DC	E None Approvals
05 ON - OFF		K Black	M Green(illu)			4 24V DC	
06 (ON) - OFF			D Red(illu)				
07 ON-OFF(with lamp)					T Quick connect tab type		
08 (ON)-OFF(with lamp)							

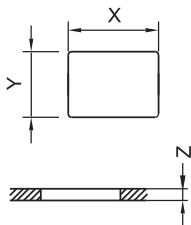
## OPTIONS OF SWITCH FUNCTION

Item No	POLES&THROWS	Push button position ( ):Momentary		
		Down	Center	Up
				
X2-LC8301	SPST	ON	None	OFF
X2-LC8302	SPST	(ON)	None	OFF
X2-LC8303	SPST(with lamp)	ON	None	OFF
X2-LC8304	SPST(with lamp)	(ON)	None	OFF
X2-LC8305	DPST	ON	None	OFF
X2-LC8306	DPST	(ON)	None	OFF
X2-LC8307	DPST(with lamp)	ON	None	OFF
X2-LC8308	DPST(with lamp)	(ON)	None	OFF

## DIMENSION



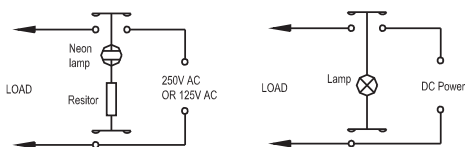
## PANEL CUT OUT



Z	Y	X
0.70~1.25	12.90~13.00	19.10~19.20
1.25~2.00	12.90~13.00	19.30~19.40
2.00~3.00	12.90~13.00	19.50~19.60

## CIRCUITS FOR SWITCH WITH LAMP

Circuits for LC8303,LC8304



Circuits for LC8307,LC8308

