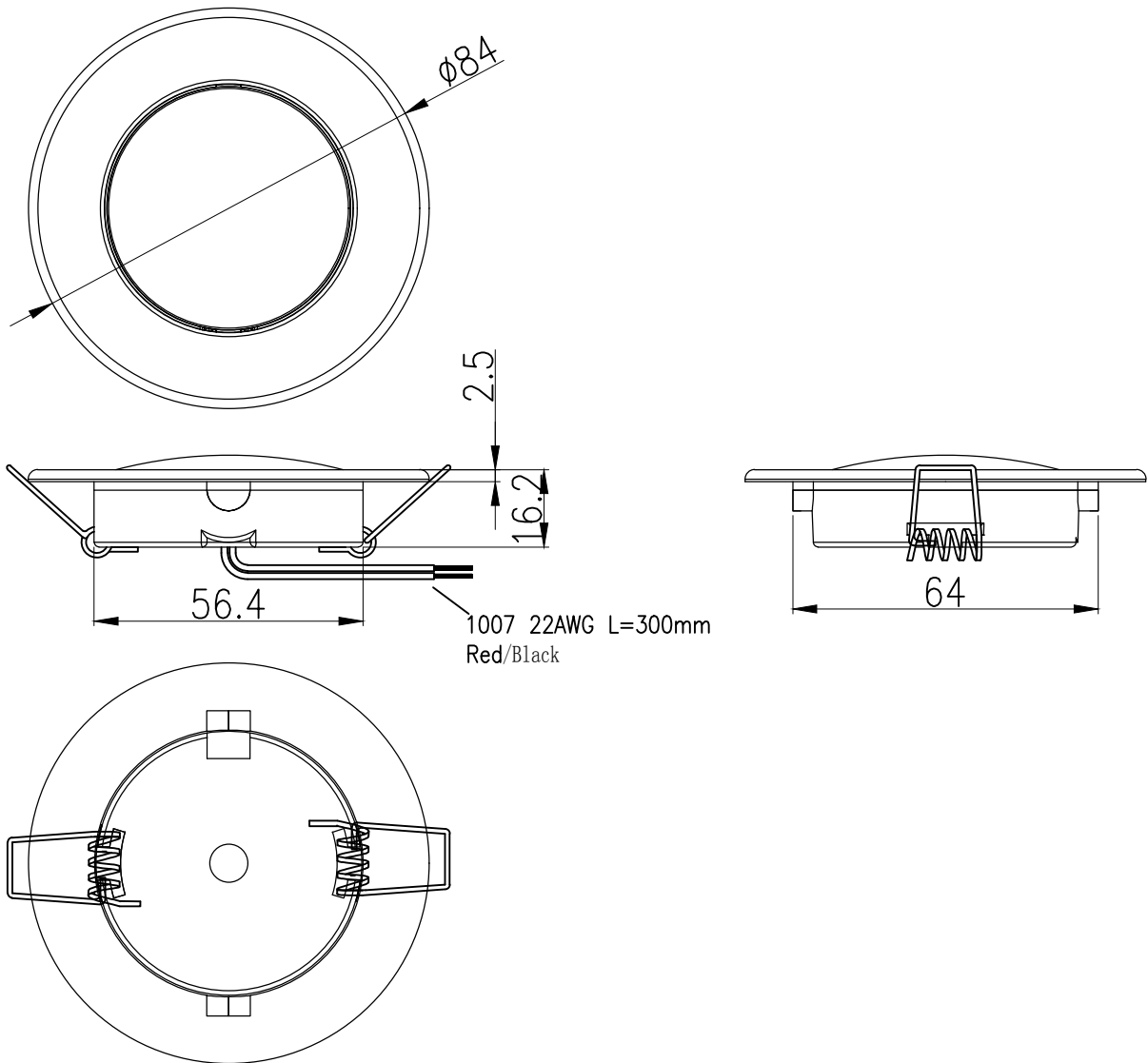


Rating	DC 12~24V / Max 1.8W	<div style="text-align: center;">Mounting hole</div>
Insulation Resistance	DC 500V 100MΩ 1 Minute	
Dielectric Strength	AC 1500V 1 minute	
Operating Temperature	-20°~+60°C	
LED Type	SMD LED White* 6 PCS	
CCT	6000K ± 20%	
Luminous Flux	130 lm ± 20%	
Sealing	IP53	
Beam Pattern	60°	



								△
								△
Date		Name		Description				No.
Drawn	Checked	Approved	YM BOM No.	Model Name		Reading lamp		
COCO			Customer No.	Model No.		YML049		Rev.
08/27/'15			Unit	mm	Yeswitch Electronics LTD			0