

# X2-LC210 Series

Pushbutton Switches



## SPECIFICATION

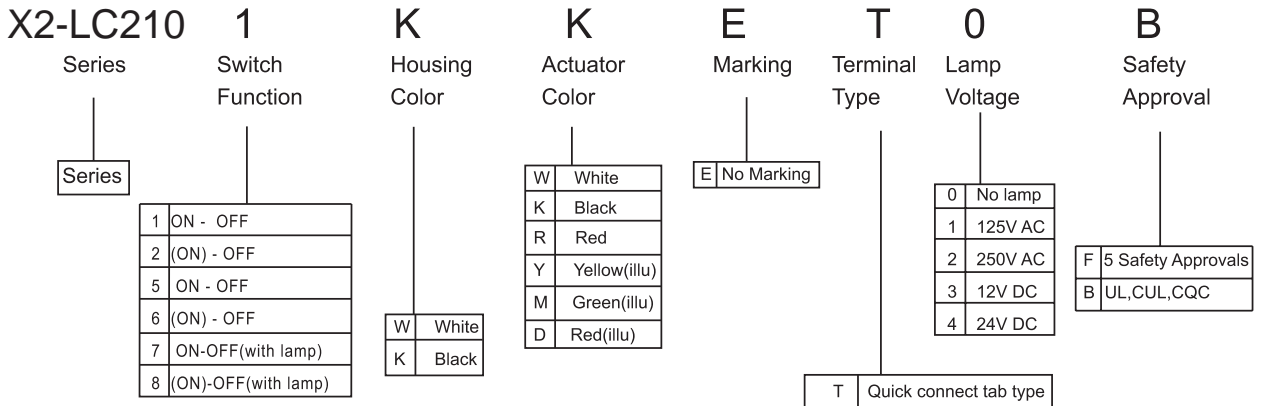
Electrical Rating : 16A 250VAC/125VAC(UL)  
 10(4)A 250VAC(VDE,ENEC)  
 Mechanical life: Over 30000 cycles  
 Electrical life: Over 10000 cycles  
 Contact resistance: <20mΩ(Initial)  
 Insulation resistance: >1000MΩ  
 High voltage resistance: >1500V 1 min.  
 Ambient temperature: Terminal side -20 to +85°C  
 Actuating side -20 to +55°C  
 Storage temperature: -30 to +85°C  
 Atmospheric humidity: Max.85%  
 Actuating force: 3 ~8N(Depends on different switch function)  
 Flammability: UL94 V-2  
 Temperature rise at the terminal: Max 30°C (UL1054)  
 Solder ability of terminal: Max 350°C, 3s

## MATERIALS



Housing: PA66  
 Rocker: PC/PA66  
 Contacts: Silver alloy  
 Terminal: Brass silver plated  
 Spring: SWC  
 Movable Arm: C2680  
 Bracket: PA66



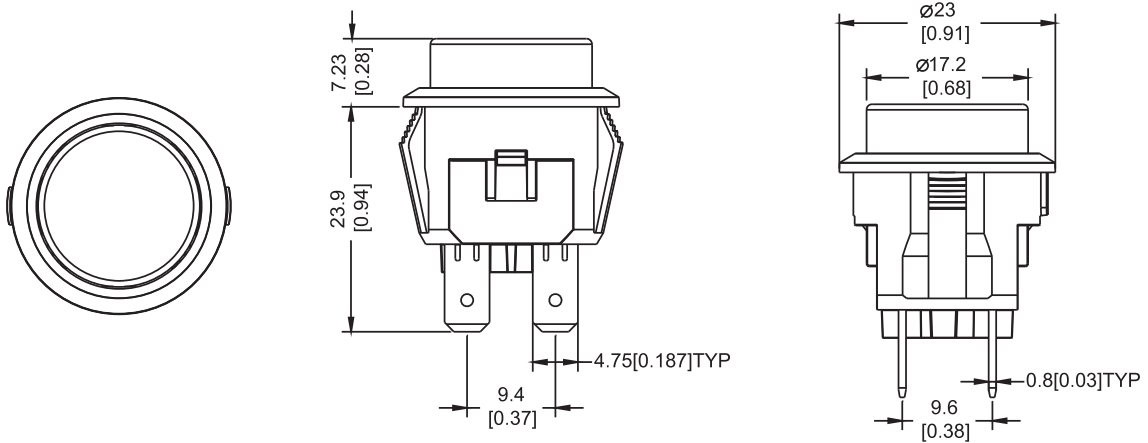
## HOW TO ORDER



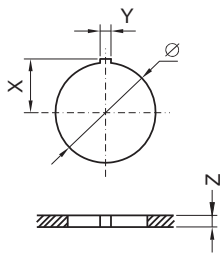
## OPTIONS OF SWITCH FUNCTION

Item No	POLES & THROWS	Down	Center	Up
			••	
X2-LC2101	SPST	ON	None	OFF
X2-LC2102	SPST	(ON)	None	OFF
X2-LC2105	DPST	ON	None	OFF
X2-LC2106	DPST	(ON)	None	OFF
X2-LC2107	DPST(with lamp)	ON	None	OFF
X2-LC2108	DPST(with lamp)	(ON)	None	OFF

## DIMENSION



## PANEL CUT OUT



PANEL CUT OUT			
Z	Y	X	$\varnothing$
0.7~1.25	2	11	$\varnothing 20.5$
1.25~2.0	2	11	$\varnothing 20.5$
2.0~3.0	2	11	$\varnothing 20.5$

## CIRCUITS FOR SWITCH WITH LAMP

