

CZL-YB- x xk-L Type Load Cell

Brief introduction:

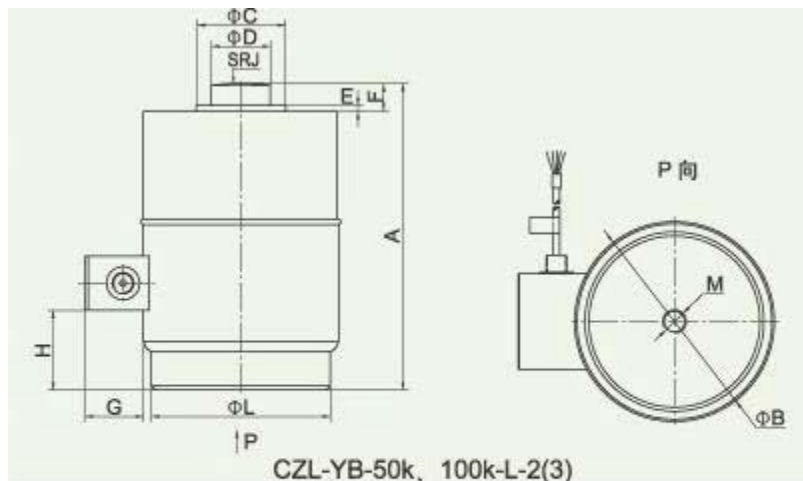
CZL-YB- $\times \times k$ -L type load cell is sealed hermetically with double cavity cap welding, bearing compression force, its dynamic reaction is good, it has good stabilization and anti over load and can be used successfully in the harshest of environments. It can be easily installed, simple used and has good compatibility, suitable for use in a wide range of truck scale, railway scale and general process weighing applications etc. It has protection grade specified as IP68.



Main uses:

It can be easily installed, simple used and has good compatibility, suitable for use in a wide range of truck scale, railway scale and general process weighing applications etc.

Dimension:



型号 Type	量程 Cap.	A	B	C	D	E	F	G	H	J	M	L
CZL-YB-500k-L-2(3)	50k	154.4	107.95	41.40	43.43	6.1	22.1	31.73	20.39	152.4	3/4-16UNF-2B	98.43
CZL-YB-100k-L-2(3)	100k	215.9	127.76	62.23	65.28	8.8	26.8	32.75	58.49	304.8	3/4-16UNF-2B	117.35

Technical data:

型号 Specifications		CZL-YB-50k, 100k -L-2		CZL-YB-50k, 100k -L-3	
		lb	50k	100k	50k
最大秤量 (Emax) Maximum capacity	t	22.68	45.36	22.68	45.36
	mV/V	2 ± 0.002		3 ± 0.003	
灵敏度 Sensitivity					
准确度等级 Accuracy class				0.05	
非线性 Nonlinearity	%F.S.			± 0.05	
滞后 Hysteresis	%F.S.			± 0.05	
重复性 Repeatability	%F.S.			0.03	
蠕变 Creep	%F.S./30min			± 0.05	
最小静载荷输出恢复值 Minimum dead load output return	%F.S.			± 0.05	
温度对最小静载荷输出的影响 Temp. effect on min. dead load output	%F.S./5℃			0.007	
温度对灵敏度的影响 Temp. effect on sensitivity	%F.S./5℃			0.007	
最小静载荷 Minimum dead load	% Emax			1	
最大安全负荷 Maximum safe overload	% Emax			200	
极限过负荷 Ultimate overload	% Emax	300		200	
供桥电压 Supply voltage	V			10 - 15 (DC/AC)	
零点平衡 Zero balance	%F.S.			± 1	
输入电阻 Input resistance	Ω			350 ± 3.5	
输出电阻 Output resistance	Ω			350 ± 3.5	
绝缘电阻 Insulation resistance	MΩ			> 5000	
温度补偿范围 Compensated temperature range	℃			-10 - +40	
使用温度范围 Operating temperature range	℃			-30 - +70	
连接电缆 Connect cable	mm			φ 7.5 × 3048	
接线方式 Method of connecting wire	输入Input(+): 红Rod 输入Input(-): 黑Black 输出Output(+): 绿Green 输出Output(-): 白White 屏蔽 Shield 裸线 Bare				