

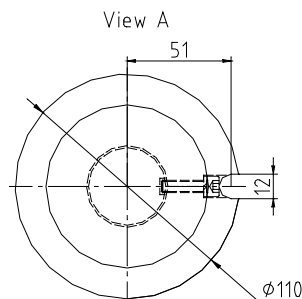
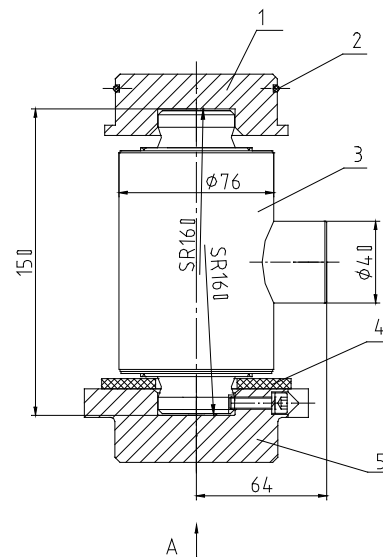
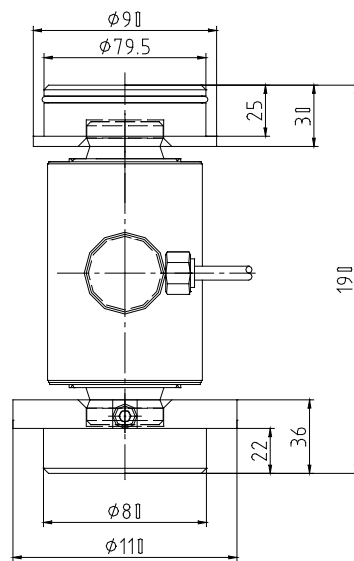
CZL-YB-30-ST Type Load Cell

Introduction of Products:

CZL-YB type (made of stainless steel) column load cell is hermetically sealed, and has protection grade specified as IP68. It has high ability to correct core and prevent turning. Argon-arc welded, taking compression force, its dynamic reaction is good. Easily installed, it can be highly over-loaded and used in truck scale, motion railway scale, hopper scale and so on.



Installation Size (Unit: mm)



1. 压头 Upper Receiver
2. O形密封圈 O Ring
3. 传感器体 Load Cell
4. 密封垫 Gasket
5. 底座 Lower Receiver

Main technical data

最大秤量 (Emax) Maximum capacity	t	30	
灵敏度 Sensitivity	mV/V	2.0±0.002	
准确度等级 Accuracy class		C3	C2
最大分度数 Maximum number of load cell interval		3000	2000
最小检定分度值 Minimum load cell verification interval		Emax /10000	Emax /7000
综合误差 Combined error	%F.S.	0.02	0.023
重复性 Repeatability	%F.S.	0.01	0.015
蠕变 Creep	%F.S./30 min	±0.0245	±0.0245
最小静载荷输出恢复值 Minimum dead load output return	%F.S.	±0.017	±0.025
温度对最小静载荷输出的影响 Temp. effect on min. dead load output	%F.S./5℃	±0.007	±0.010
温度对灵敏度的影响 Temp. effect on sensitivity	%F.S./5℃	±0.007	±0.009
最小静载荷 Minimum dead load	% Emax	1	
最大安全负荷 Maximum safe overload	% Emax	125	
极限过负荷 Ultimate overload	% Emax	300	
供桥电压 Supply voltage	V	10~15 (DC/AC)	
零点平衡 Zero balance	%F.S.	±1	
输入电阻 Input resistance	Ω	1310±20	
输出电阻 Output resistance	Ω	1000±3	
绝缘电阻 Insulation resistance	MΩ	≥5000	
温度补偿范围 Compensated temperature range	℃	-10~+40	
使用温度范围 Operating temperature range	℃	-30~+70	
连接电缆 Connect cable	mm	Φ6.7×13000	
接线方式 Method of connecting wire	输入 Input (+): 绿 Green 输入 Input (-): 黑 Black 输出 Output (+): 白 White 输出 Output (-): 红 Red 反馈 Sense (+): 黄 Yellow 反馈 Sense (-): 蓝 Blue 屏蔽 Shield: 黄 Yellow		