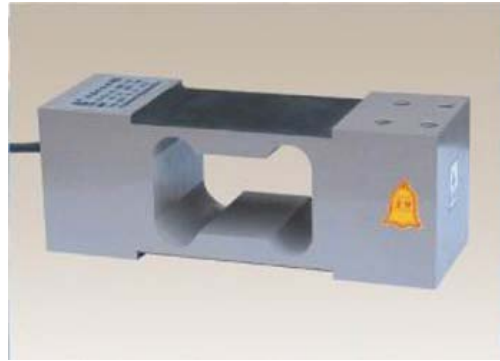


## B-XG Type Load Cell

### Brief introduction:

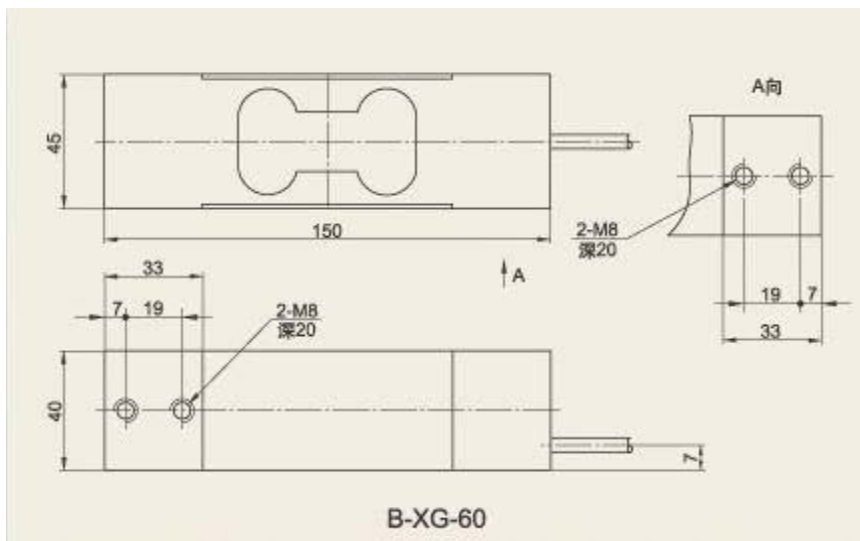
B-XG type box load cell (made of aluminum alloy) has a one-point structure. Corner adjustment assures same output from different point on ruled surface when it is loaded. It is suitable for single load-cell scale such as platform scale, health scale. This kind of load cell is easily installed and convenient for used, and has sealing specified as IP67. It is used to be explosive dangerous circumstance, the explosion-proof symbol is ExibII BT6.

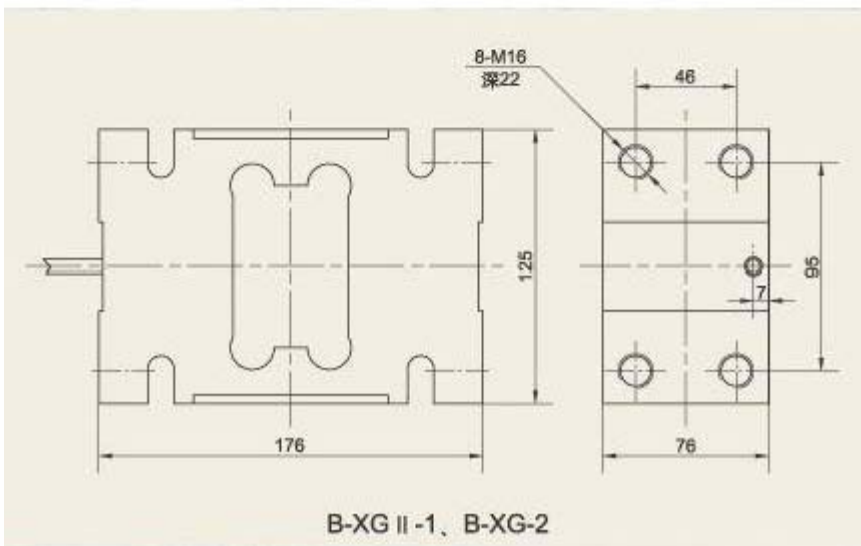
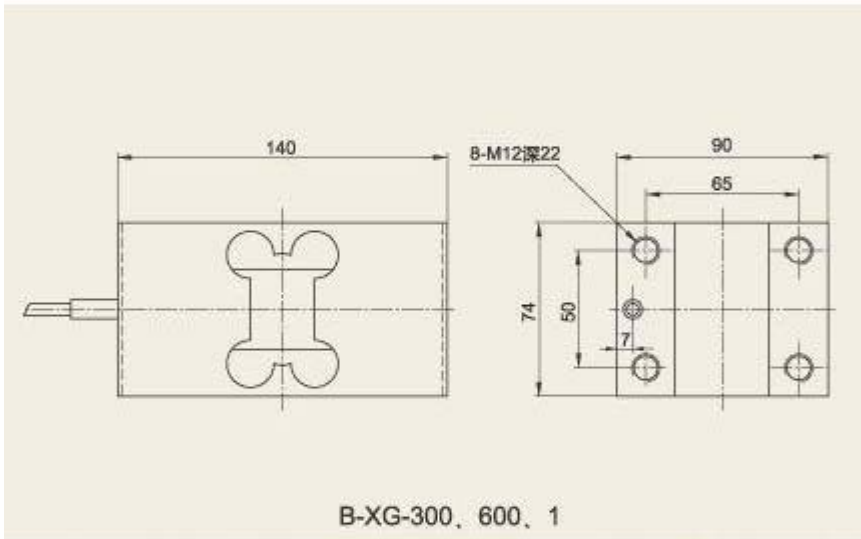
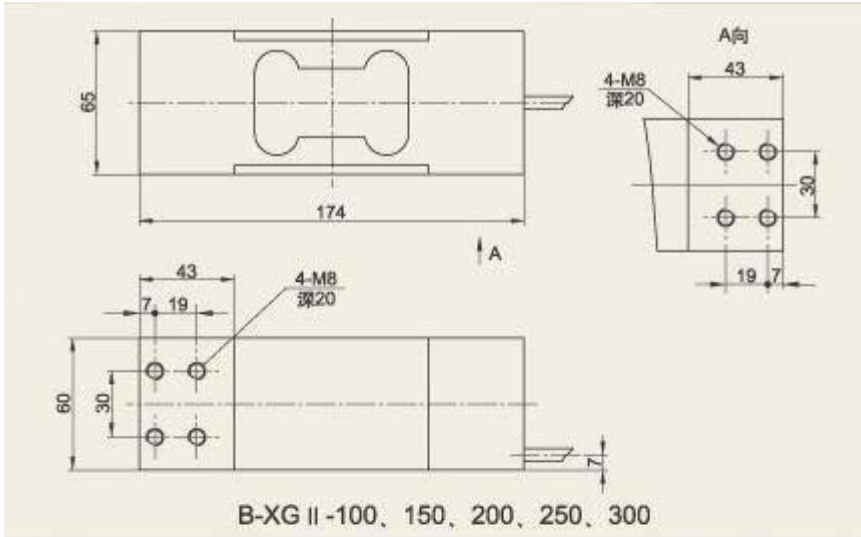


### Main uses:

It is suitable for single load-cell scale such as platform scale, health scale.

### Dimension:





**Technical data:**

|   |  |                                   |                |
|---|--|-----------------------------------|----------------|
| 最大秤量 (Emax) Maximum capacity                        | kg   | 60, 100, 150, 200, 250, 300, 2000 | 300, 600, 1000 |
| 灵敏度 Sensitivity                                     | mV/V   | 2.0 ± 0.08                        |                |
| 准确度等级 Accuracy class                                |  | C3                                |                |
| 最大分度数 Maximum number of load cell interval          |  | 3000                              |                |
| 最小检定分度值 Minimum load cell verification interval     |  | Emax /10000                       |                |
| 综合误差 Combined error                                 | %F.S.  | 0.02                              |                |
| 重复性 Repeatability                                   | %F.S.  | 0.01                              |                |
| 蠕变 Creep  | %F.S./30min  | ± 0.0245                          |                |
| 最小静载荷输出恢复值 Minimum dead load output return          | %F.S.  | ± 0.017                           |                |
| 温度对最小静载荷输出的影响 Temp. effect on min. dead load output | %F.S./5℃   | ± 0.007                           |                |
| 温度对灵敏度的影响 Temp. effect on sensitivity               | %F.S./5℃   | ± 0.007                           |                |
| 最小静载荷 Minimum dead load                             | % Emax   | 1                                 |                |
| 最大安全负荷 Maximum safe overload                        | % Emax   | 150                               |                |
| 极限过负荷 Ultimate overload                             | % Emax   | 200                               |                |
| 四角误差 Four corner error                              | %F.S.  | 0.03                              |                |
| 供电电压 Supply voltage                                 | V  | 10 - 15 (DC/AC)                   |                |
| 零点平衡 Zero balance                                   | %F.S.  | ± 1                               |                |
| 输入电阻 Input resistance                               | Ω  | 400 - 420                         | 400 - 440      |
| 输出电阻 Output resistance                              | Ω  | 349 - 355                         |                |
| 绝缘电阻 Insulation resistance                          | MΩ   | > 5000                            |                |
| 温度补偿范围 Compensated temperature range                | ℃  | -10 ~ +40                         |                |
| 使用温度范围 Operating temperature range                  | ℃  | -20 ~ +60                         |                |
| 连接电缆 Connect cable                                  | mm   | Φ4.7 × 1500(2000 kg) Φ4.7 × 3000) | Φ4.7 × 5000    |
| 接线方式 Method of connecting wire                      | 输入 Input (+): 红 Red 输入 Input (-): 白 White<br>输出 Output (+): 绿 Green 输出 Output (-): 蓝 Blue<br>屏蔽 Shield: 黄 Yellow |                                   |                |