



# 产品规格书

## PRODUCT SPECIFICATION

客户名称 CUSTOMER: \_\_\_\_\_

产品型号 MODEL: HN1201-16A-2.0k

客户型号 USER'S MODEL: \_\_\_\_\_

日期 DATE: 2020-3-10

江苏华能电子有限公司			客户回签		
HUAWHA			CUSTOMER		
SERVE RATITY			CUSTOMER RATIGY		
拟制	审核	批准	检验	审核	批准
REPORT	CHECKED	APPROVED	TEST	CHECKED	APPROVED
唐华萍	工稿萍用章	张长华			

江苏华能电子有限公司

JIANGSU HUAWHA ELECTRONICS CO.,LTD

地址：江苏省泰州市兴化市陈堡镇工业园区

ADD:Chenbao Industrial Park, Chenbao Town, Xinghua,Taizhou City, Jiangsu China.

电话 [TEL:0523-83710666](tel:0523-83710666) 传真 [FAX:0523-83724866](tel:0523-83724866)

网址: [www.huawha.com](http://www.huawha.com) 邮箱:

**1.基本规格/General specification**

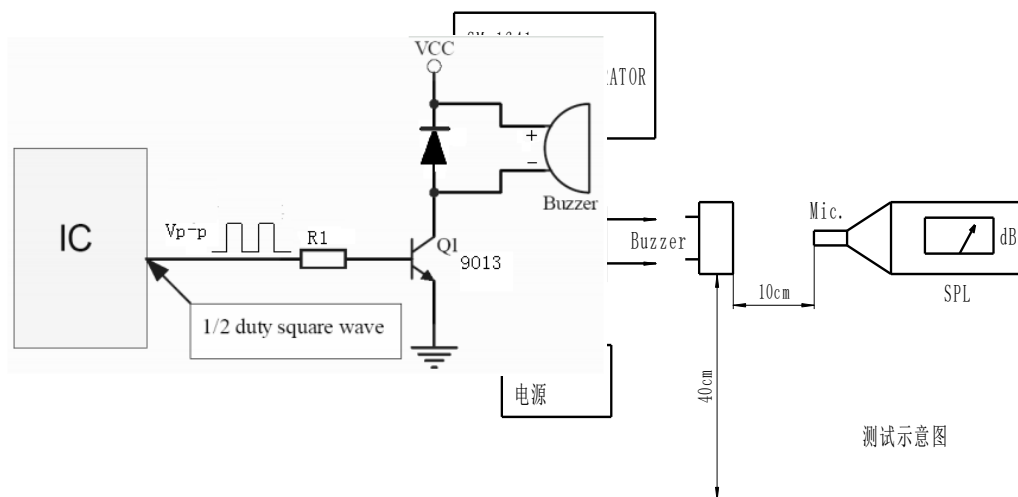
项目/Item		规格/Spec	条件/Condition
1	额定电压 Rated voltage	3.0Vo-p	
2	工作电压 Operation voltage	1.5~5Vo-p	
3	声压 Sound Pressure Level=SPL	Min 85dB	测试环境：标准状态，标准驱动电路， 额定电压 测试距离：0.1m Standard State,Standard Drive Circuit. Rated voltage,Distance at 0.1m
4	电流 current	Max50mA	
5	振荡频率 Oscillation frequency	2000Hz	
6	电阻 Coil Resistance	16 ± 5 Ω	
7	工作温度范围 Operating Temperature	-20~+70℃	
8	保存温度范围 Storage temperature	-30~+80℃	
9	外部尺寸 Externals size (mm)	φ 12*H9	参阅附图 Refer to the attached drawing
10	重量 Mass	1.8g	
11	材质 Housing Material	PBT	

**2.电气和声学测试条件/Electrical And Acoustical Measuring Condition**

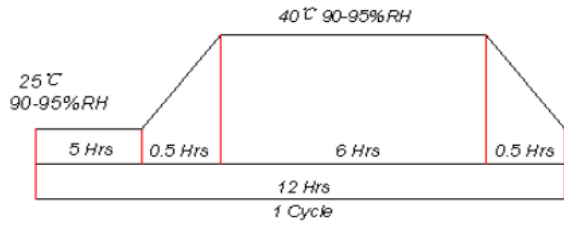
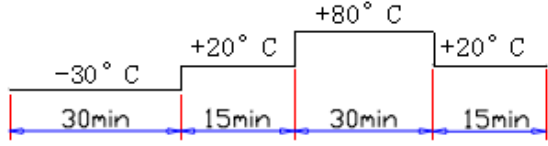
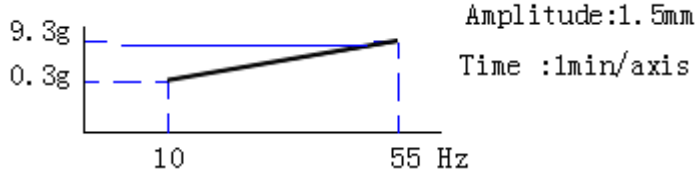
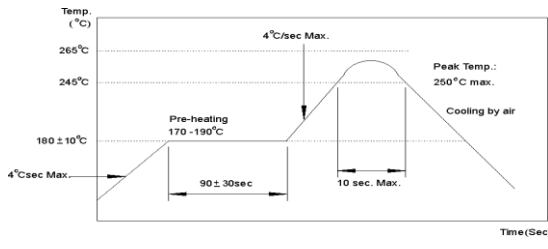
**驱动电路/Recommended Driving Circuit**

**设置 Recommended Setting**

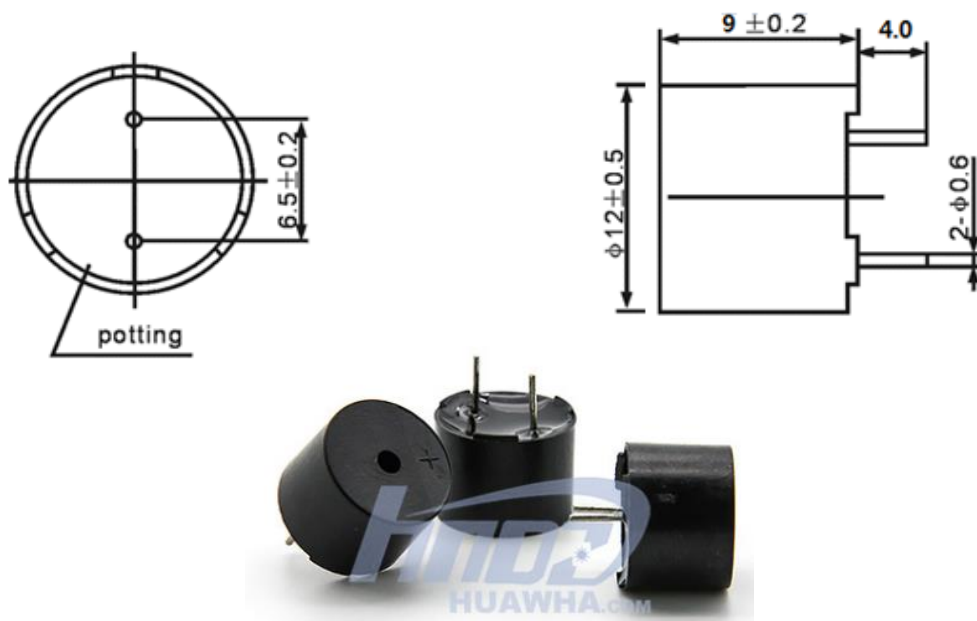
Resonant frequency, 1/2 duty cycle. Square wave.  
Signal amplitude should be large enough to saturate the transistor.



## 3.可靠性测试/Reliability Test

	项目 ITEM	测试方法 TEST
1	高温试验 High Temperature Test	在+80℃±2℃储存温度下存放 96 小时，恢复 2 小时后测试 After being placed in a chamber with +80±2℃ for 96 hours and then being placed in normal condition for 2 hours
2	低温试验 Low Temperature Test	在-20℃±2℃储存温度下存放 96 小时，恢复 2 小时后测试 After being placed in a chamber with -20±2℃ for 96 hours and then being placed in normal condition for 2 hours
3	恒定湿热试验 Humidity Test	
4	温度变化试验 Temperature Cycle Test	 <p>Make this test for 5 cycle without applying power, then expose to the room temperature for 2 hours 不加负载，按 5 次循环测试，然后在室温下恢复 2 小时</p>
5	振动试验 Vibration Test	 <p>Amplitude:1.5mm Time :1min/axis</p> <p>Make this test for the directions of X,Y,Z for 2 hours each (total 6 hours). 振动频率 10-55Hz, 振幅 1.5mm, 在 X, Y, Z 3 个方向各 2 小时</p>
6	跌落试验 Drop Test	70cm 高自由掉落到 40mm 的木板上，每个方向三次 Drop on a hard wood board of 40mm thick, any directions, three times, at the height of 70cm
7	插针的抗拉强度试验 Terminal Strength Pulling Test	插针承受 1.0kg 拉力，负荷时间 5s The force 5 seconds of 1.0kg is applied to each terminal.
8	可焊性试验 Solder ability Test	焊锡温度 255±5℃，浸润时间为 3±0.5s，试验后目测产品情况 Lead terminals are immersed in rosin for 5 seconds and then immersed in solder bath of 255±5℃ for 3±0.5 seconds.
9	回流焊测试 Soldering Test	

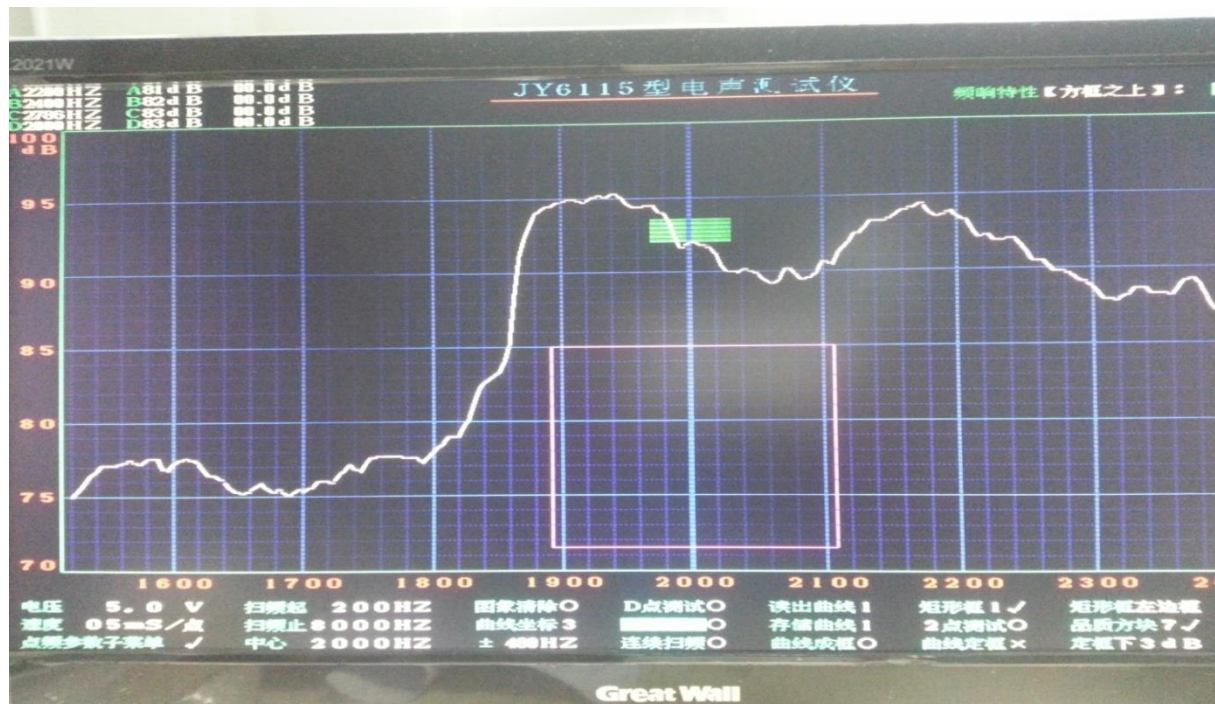
#### 4.尺寸图 Dimension



\*Unit: mm; Tolerance:  $\pm 0.3\text{mm}$  Except Specified

\*Housing Material: BlackPBT

#### 5.频率响应/Frequency Response



3.0V<sub>o-p</sub> 50% duty Square wave,10cm

6.包装 packing



QTY:100PCS



QTY:1000PCS



QTY:5000PCS

50\*42\*27