



产品规格书 PRODUCT SPECIFICATION

客户名称 CUSTOMER: _____

产品型号 MODEL: HND-4216

客户型号 USER'S MODEL: _____

日期 DATE: 2020-3-28

江苏华能电子有限公司			客户回签		
HUAWHA			CUSTOMER		
SERVE RATITY			CUSTOMER RATIGY		
拟制	审核	批准	检验	审核	批准
REPORT	CHECKED	APPROVED	TEST	CHECKED	APPROVED
唐华萍	工稿萍用章	张长华			

江苏华能电子有限公司
 JIANGSU HUAWHA ELECTRONICS CO.,LTD
 地址：江苏省泰州市兴化市陈堡镇工业园区
 ADD:Chenbao Industrial Park, Chenbao Town, Xinghua,Taizhou City, Jiangsu China.
 电话 [TEL:0523-83710666](tel:0523-83710666) 传真 FAX:0523-83724866
 网址: www.huawha.com 邮箱:

1.基本规格/General specification

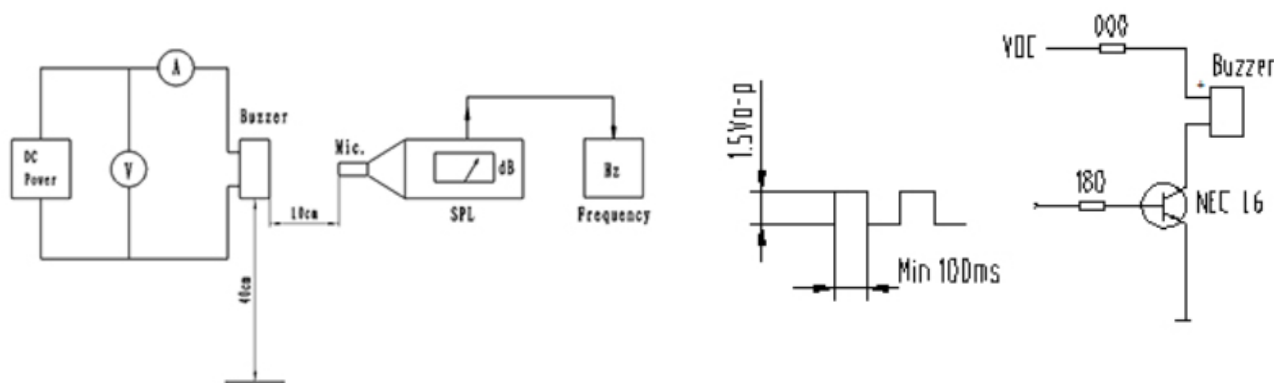
项目/Item		规格/Spec	条件/Condition
1	额定电压 Rated voltage	12.0VDC	
2	工作电压 Operation voltage	3~18VDC	
3	声压 Sound Pressure Level=SPL	Min 100dB	测试环境：标准状态，标准驱动电路， 额定电压 测试距离：0.1m Standard State,Standard Drive Circuit. Rated voltage,Distance at 0.1m
4	电流 current	Max12mA	
5	振荡频率 Oscillation frequency	2700±500Hz	
6	工作温度范围 Operating Temperature	-20~+60℃	
7	保存温度范围 Storage temperature	-30~+70℃	
8	外部尺寸 Externals size (mm)	φ41.8*H16	参阅附图 Refer to the attached drawing
9	重量 Mass	12g	
10	材质 Housing Material	PPO	

2.电气和声学测试条件/Electrical And Acoustical Measuring Condition

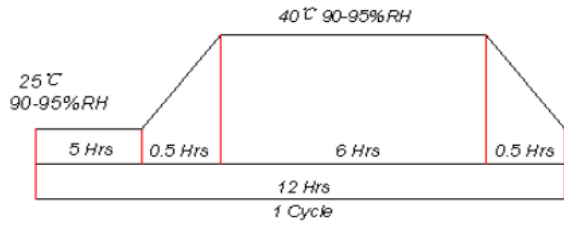
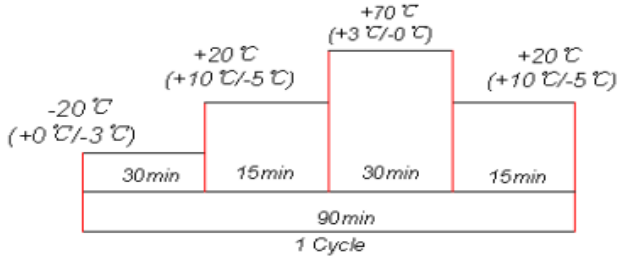
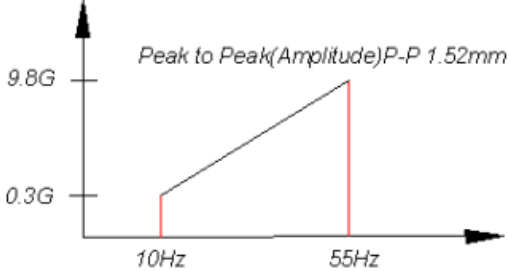
驱动电路/Recommended Driving Circuit

设置 Recommended Setting

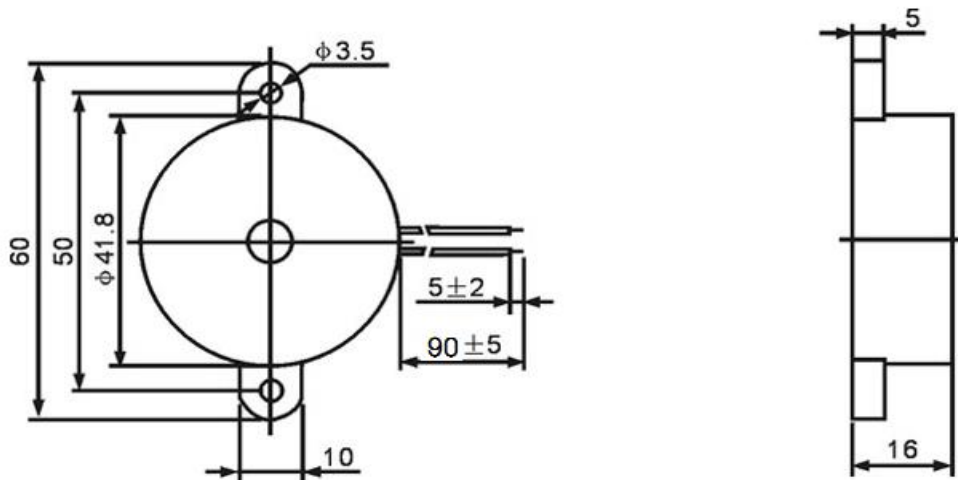
Resonant frequency, 1/2 duty cycle. Square wave.
Signal amplitude should be large enough to saturate the transistor.



3.可靠性测试/Reliability Test

	项目 ITEM	测试方法 TEST						
1	高温试验 High Temperature Test	在+80℃±2℃储存温度下存放 96 小时，恢复 2 小时后测试 After being placed in a chamber with +80±2℃ for 96 hours and then being placed in normal condition for 2 hours						
2	低温试验 Low Temperature Test	在-20℃±2℃储存温度下存放 96 小时，恢复 2 小时后测试 After being placed in a chamber with -20±2℃ for 96 hours and then being placed in normal condition for 2 hours						
3	恒定湿热试验 Humidity Test							
4	温度变化试验 Temperature Cycle Test							
5	振动试验 Vibration Test							
6	跌落试验 Drop Test	70cm 高自由掉落到 40mm 的木板上，每个方向三次 Drop on a hard wood board of 40mm thick, any directions, three times, at the height of 70cm						
7	插针的抗拉强度试验 Terminal Strength Pulling Test	插针承受 1.0kg 拉力，负荷时间 5s The force 5 seconds of 1.0kg is applied to each terminal.						
8	可焊性试验 Solder ability Test	焊锡温度 255±5℃，浸润时间为 3±0.5s，试验后目测产品情况 Lead terminals are immersed in rosin for 5 seconds and then immersed in solder bath of 255±5℃ for 3±0.5 seconds.						
9	回流焊测试 Soldering Test	<table border="1" style="width: 100%; border-collapse: collapse;"> <thead> <tr> <th style="text-align: center;">温度 Temp.(℃)</th> <th style="text-align: center;">时间 Time(Sec.)</th> <th style="text-align: center;">可焊接次数 Times</th> </tr> </thead> <tbody> <tr> <td style="text-align: center;">245±15</td> <td style="text-align: center;">180℃预热 40~70秒 245℃ 3秒 above 180℃ time 40~70</td> <td style="text-align: center;">3</td> </tr> </tbody> </table>	温度 Temp.(℃)	时间 Time(Sec.)	可焊接次数 Times	245±15	180℃预热 40~70秒 245℃ 3秒 above 180℃ time 40~70	3
温度 Temp.(℃)	时间 Time(Sec.)	可焊接次数 Times						
245±15	180℃预热 40~70秒 245℃ 3秒 above 180℃ time 40~70	3						

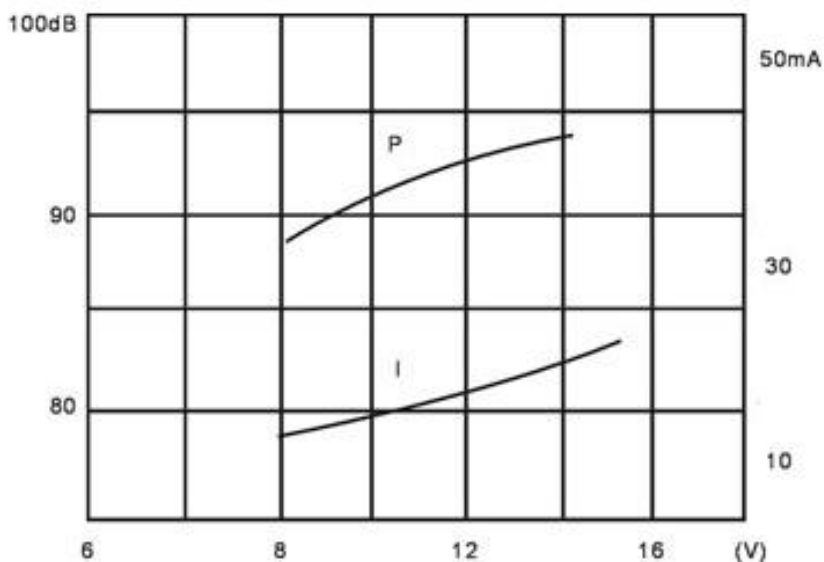
4.尺寸图 Dimension



*Unit: mm; Tolerance: ± 0.5 mm Except Specified

*Housing Material: Black PPO

5.频率响应/Frequency Response



12.0V 50% duty Square wave, 10cm