



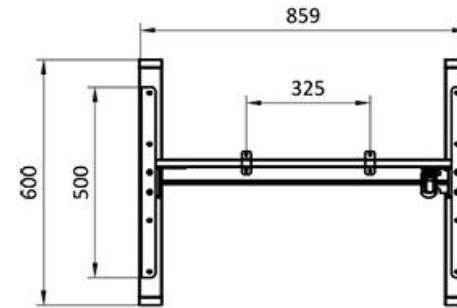
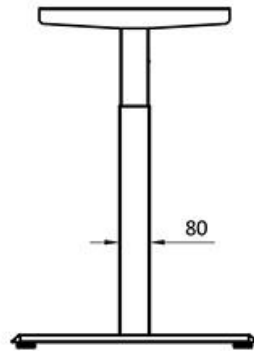
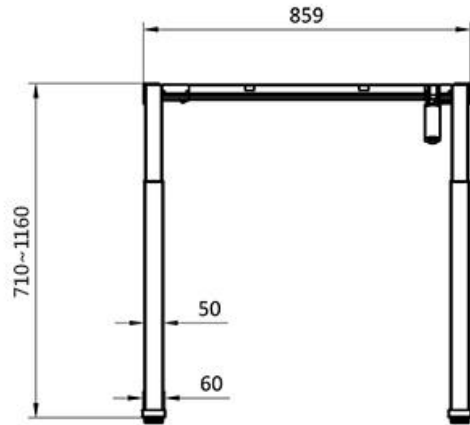
Desk Frame Color



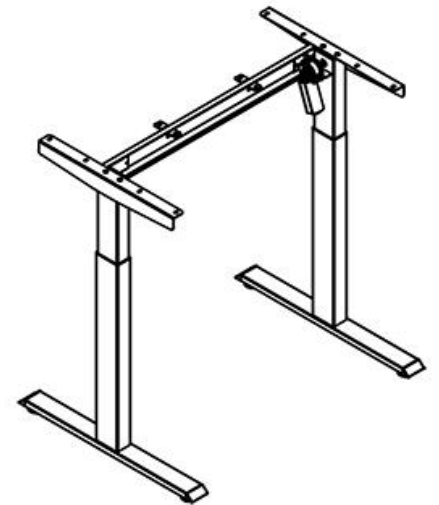
Specifications

Item No.	UD3A-02
Height Range	710-1160mm (27.9"-45.7")
Base Width	859mm (33.8")
Weight Capacity	80kg (176lbs)
Max.Speed	22mm/s
Noise Decibel	<50dB
Input Voltage	AC 110V-220V
GW/NW	20 / 18KG
Packing Size	1080(L) x 330(W) x 143(H)mm 1/1

Dimension



Unit:mm



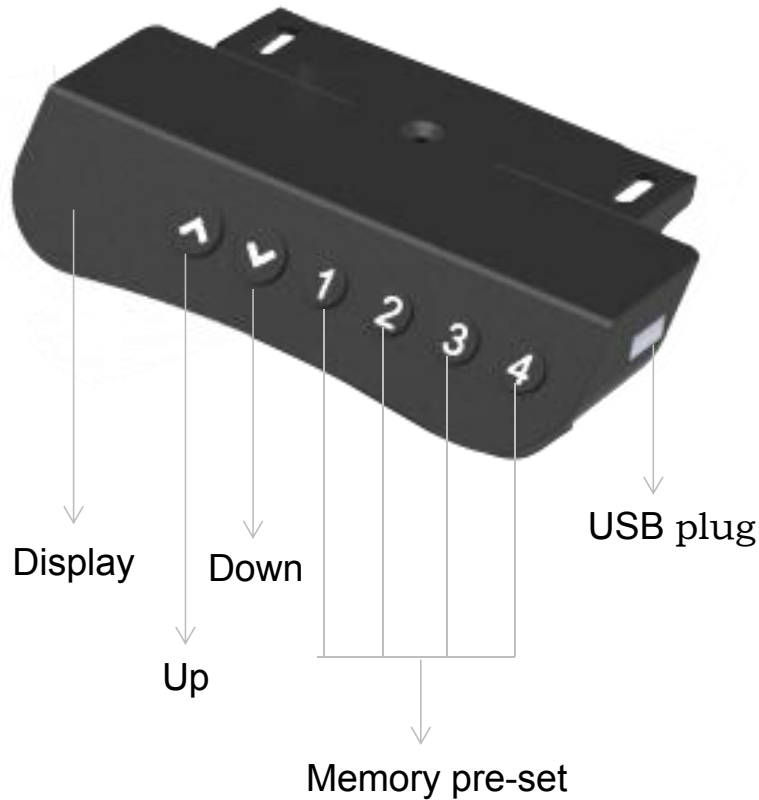








UD3A -Grey



UD3A -White

4 Memory Buttons Handset(With USB)



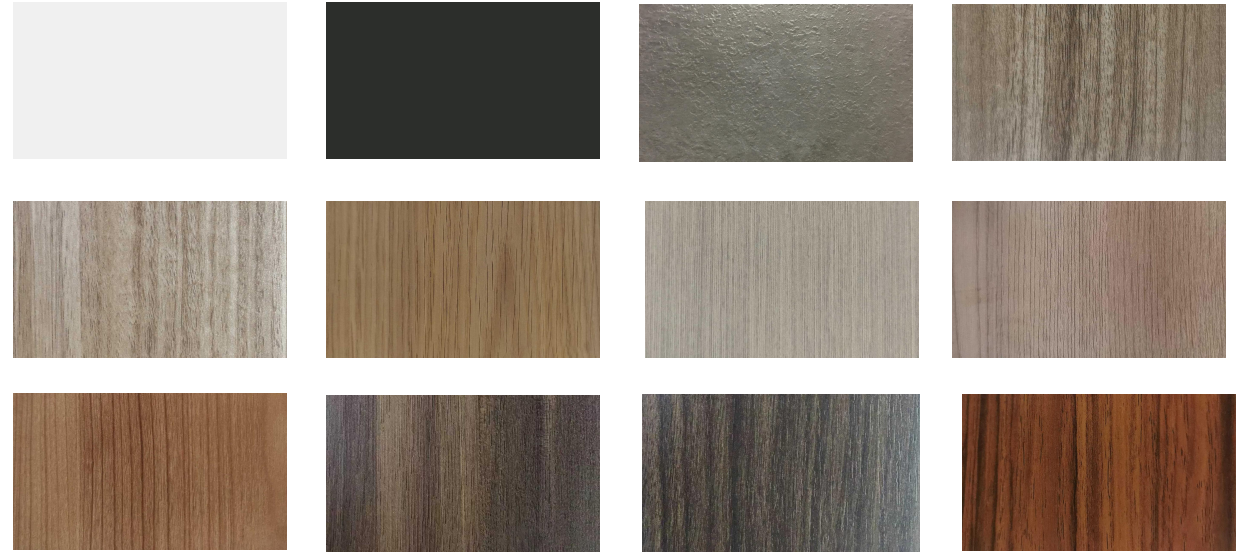
-  4 Memory Buttons
-  With the USB plug
-  CM/INCH Conversion
-  Child Safety Lock
-  Adjustable Collision Sensitivity
-  Can be customized logo

Handset Multiple choices



NO Memory Buttons(With USB)

Desktop Colors



Material Choices



Particle Board



Density Board

Edge Choices



Standard Edge



Optional Accessories

Uplift have a strong resource integration ability, we can provide you one-stop solution for desks.



Anti-Fatigue Standing Mat



CPU Holder



Monitor Arm



Office Partition



Socket



Serpentine Tube

Package(Only frame)

Individual carton 1080 mm x 330 mm x 143 mm

Gross weight: 20kg Net weight: 18kg

20GP/40GP/40HQ:442/884/1080pcs

