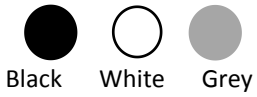
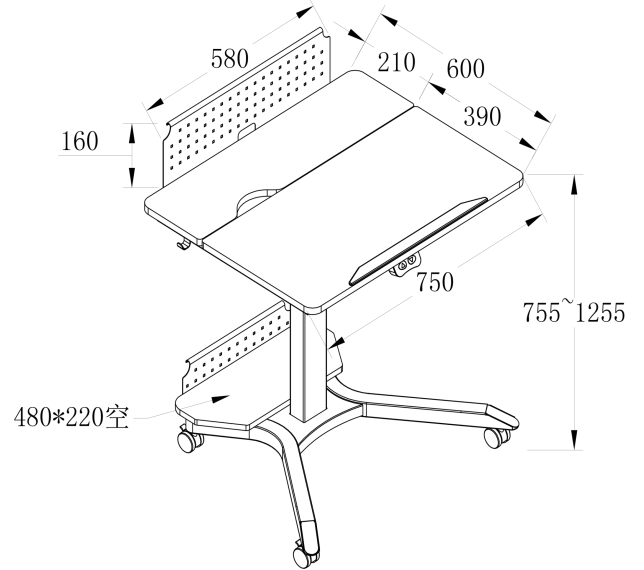


TD-03 Specifications



Item No:	TD-03		
Height range:	755-1255mm (29.7"~49.4")	Input voltage:	AC 110V-220V
Tabletop size:	750*600*15mm	Output voltage:	DC 24V
Max.speed:	22mm/s	Duty cycle:	Max.10%
Noise:	≤50dB	N.W.:	28.5kg
Load capacity:	50kg	G.W.:	31kg
Material:	Cold rolled steel	Tabletop Material:	MDF
Packing info:	One set per carton, the dimension is 845*790*235mm		
Function:	<ol style="list-style-type: none"> 1. Anti Collision Feature 2. Up and Down Handset 3. Overheat/Overload Protection 4. With USB Charging Port 5. Optional for Charging or Battery 		
Control box and handset:			