



# UD3 Single motor standing desk

**Suzhou Uplift Intelligent Technology Co., Ltd**

**Add:**NO.4955, East Taihu Road, Linhu Town, Wuzhong District, Suzhou China

**Web:**[www.upliftec.com](http://www.upliftec.com)

**Tel:**86-13382165719 / 86-0512-66591748

**Eamil:**[info@upliftec.com](mailto:info@upliftec.com)

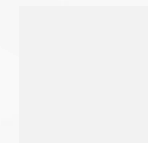


**UPLIFTEC**  
Motion creates future

[www.upliftec.com](http://www.upliftec.com)



### Desk Frame Color



White



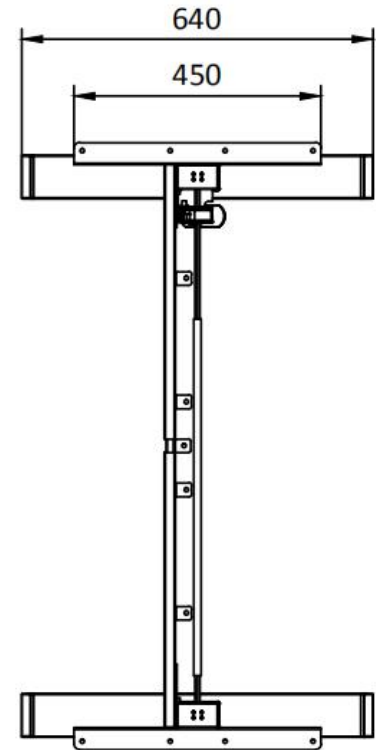
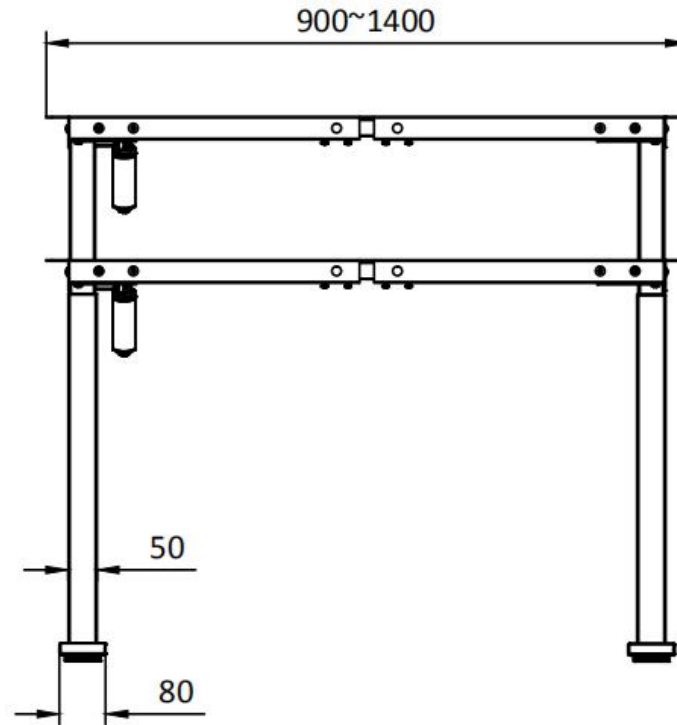
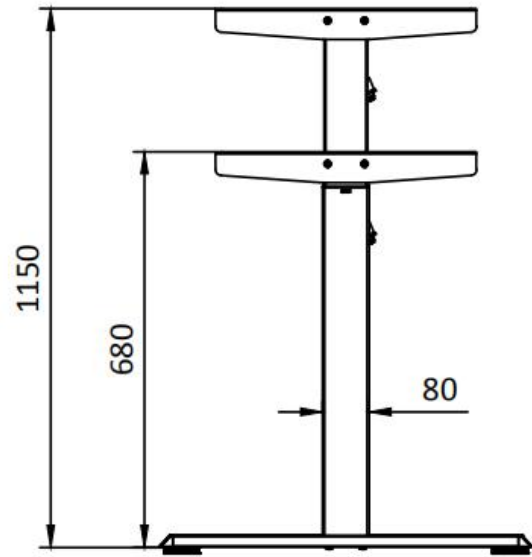
Grey



Black



## Dimensions

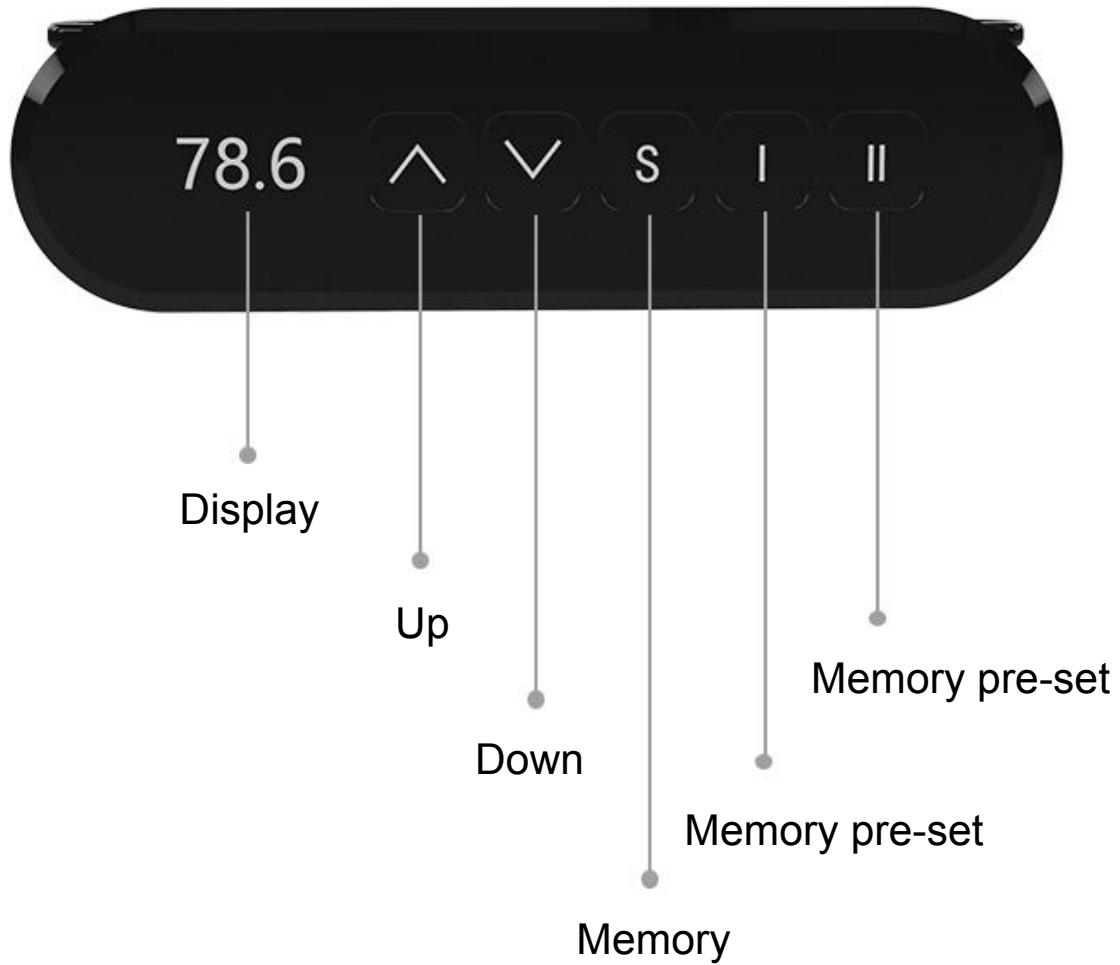


mm



## Specifications

Model	UD3
Height range	700-1170mm
Width range	900-1400mm
Recommended tabletop size	1200-1800mm
Speed	32mm/s
Noise	≤50bd
Weight capacity	80kg/180IBS
Input voltage	AC 110V-220V
Output voltage	DC 24V
GW/NW	28/27kg
Packing size	1080*330*143mm



### Hand Control

- 2 Memory Buttons
- Water-proof in front side
- Silicone Button
- 90-degree mounting angle
- Polychromatic collocation

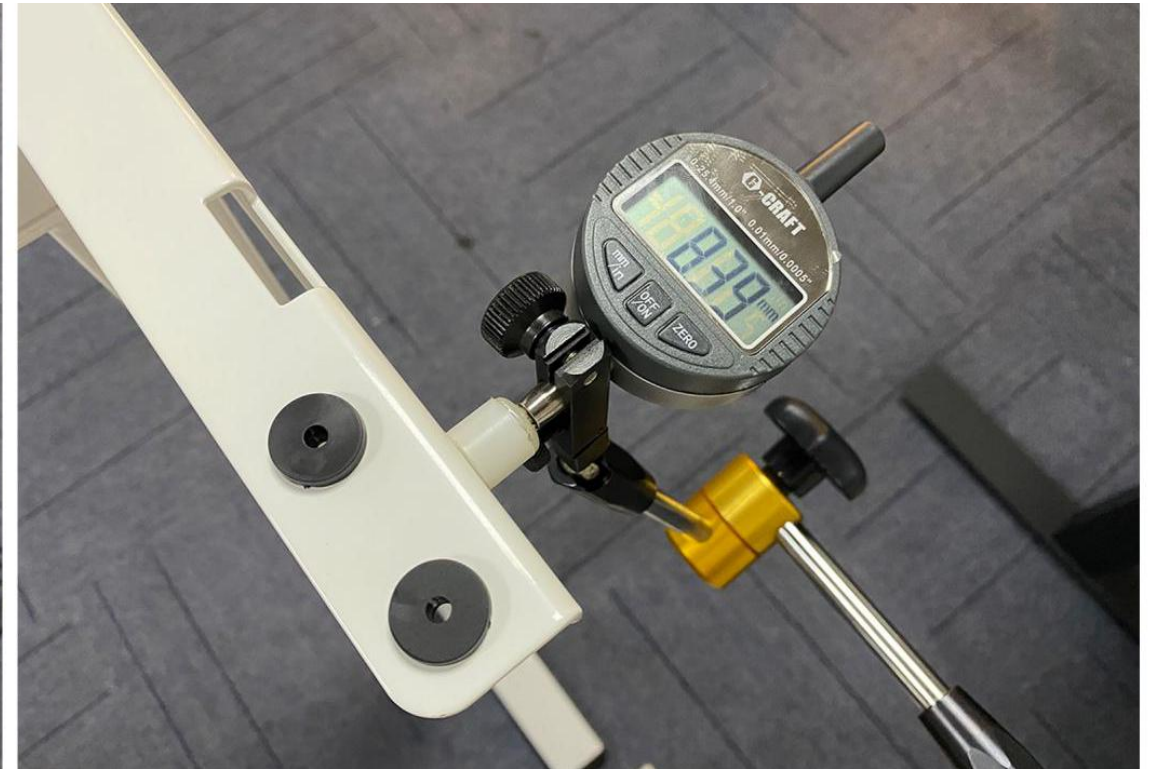


To height point with push force 100N .  
See stability testing values



Uplift products

Offset distance : 3.19mm



Others

Offset distance : 8.39mm



Under the same silent environment  
Noise test



Uplift products  
Noise:41.5db



Other  
Noise:52.8db



**UPLIFTEC**  
Motion creates future

[www.upliftec.com](http://www.upliftec.com)

## Optional desktop color







**UPLIFTEC**  
Motion creates future

[www.upliftec.com](http://www.upliftec.com)

## Optional accessories

Uplift have a strong resource integration ability, can provide you with desk one-stop solution.



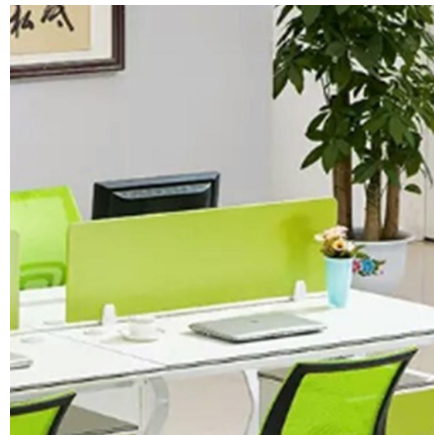
Anti-fatigue standing mat



Support racket



Monitor arm



Office partition



Socket



Serpentine tube



**UPLIFTEC**  
Motion creates future

[www.upliftec.com](http://www.upliftec.com)

## Packaging

Size : 1080\*330\*143mm,GW/NW:28/27kg



First floor



Protective layer

# THANK YOU

**Suzhou Uplift Intelligent Technology Co., Ltd**

**Add:**NO.4955, East Taihu Road, Linhu Town, Wuzhong District, Suzhou China

**Web:**[www.upliftec.com](http://www.upliftec.com)

**Tel:**86-13382165719 / 86-0512-66591748

**Eamil:**[info@upliftec.com](mailto:info@upliftec.com)

