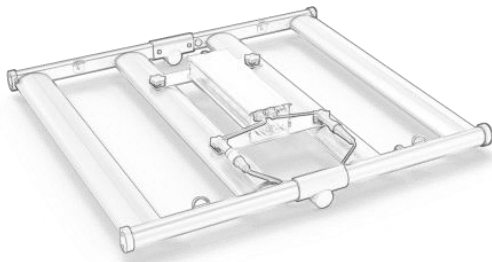
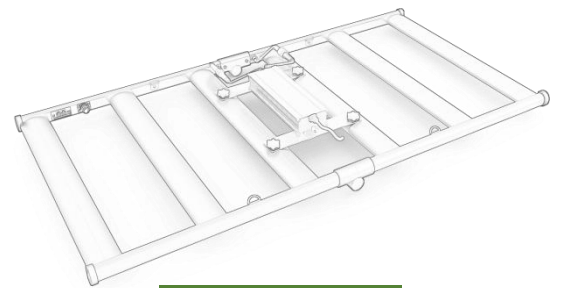


PRODUCT SPECIFICATION

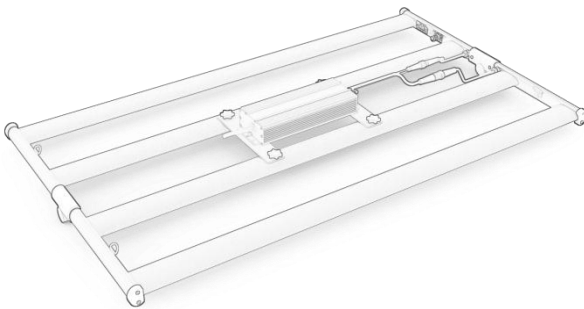
AGLEX M Series



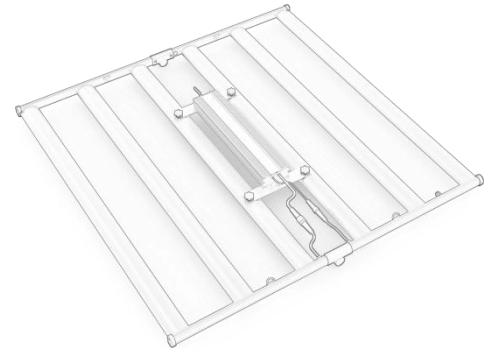
AGL-240W



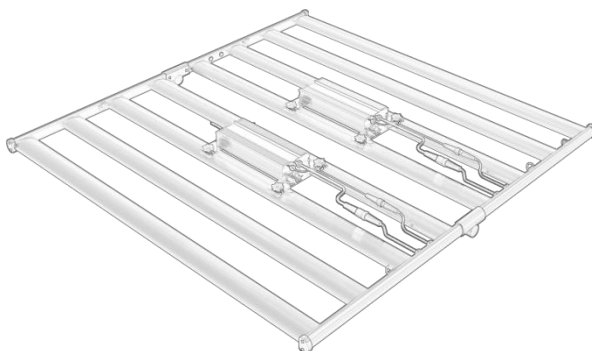
AGL-320W



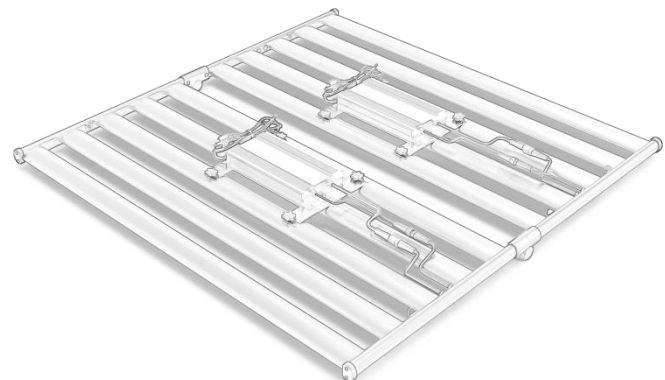
AGL-400W



AGL-650W



AGL-800W



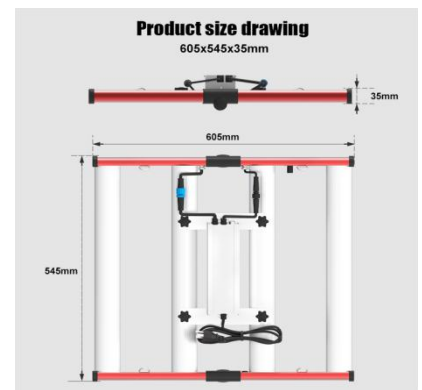
AGL-1000W

Product Introduction

- Folding up to 180°, easy to carry and install.
- With detachable driver, it's more flexible for applications in low rooms, on vertical racks, etc.
- Full-cycle spectrum is suitable for all stages of plants growth.
- Daisy chained.
- Dimmable 0-10V.
- Fan-free passive thermal management and efficient aluminum heat sink
- make no noise to ensure longer life time.

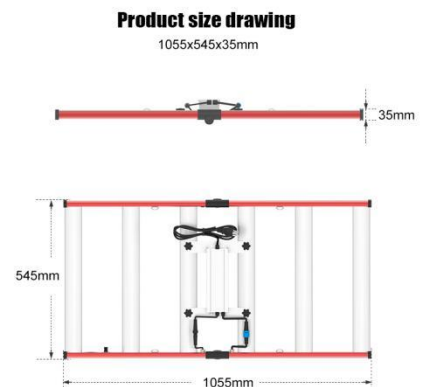
AGL-240W

Actual Power: 240w±5%	Materials: Aluminum
Perfect Coverage: 3x4ft@12"	Input Voltage: AC100-277V
Item Weight: 8.05 lbs.(3.65KG)	Lifespan: >50000 Hours



AGL-320W

Actual Power: 320w±5%	Materials: Aluminum
Perfect Coverage: 4.5x4ft@12"	Input Voltage: AC100-277V
Item Weight: 12.35 lbs.(5.6KG)	Lifespan: >50000 Hours



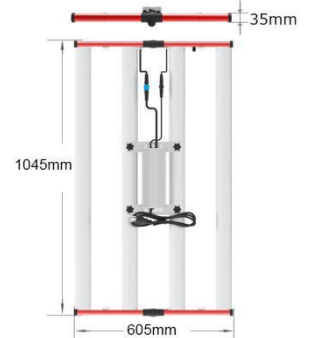
Product Detail

AGL-400W

Actual Power: 400w±5%	Materials: Aluminum
Perfect Coverage: 4.5x4ft@12"	Input Voltage: AC100-277V
Item Weight: 14.33 lbs.(6.5KG)	Lifespan: >50000 Hours

Product size drawing

605x1045x35mm

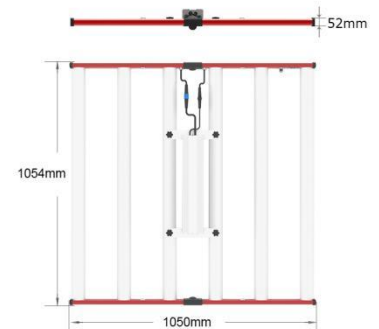


AGL-650W

Actual Power: 650w±5%	Materials: Aluminum
Perfect Coverage: 6x6ft@12"	Input Voltage: AC100-277V
Item Weight: 20.76 lbs.(9.35KG)	Lifespan: >50000 Hours

Product size drawing

1054x1050x52mm

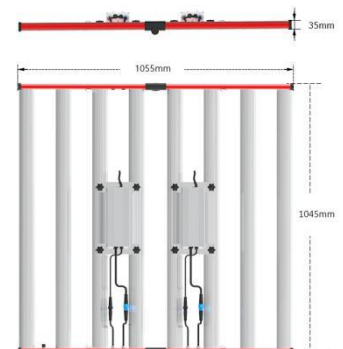


AGL-800W

Actual Power: 800w±5%	Materials: Aluminum
Perfect Coverage: 6x6ft@16"	Input Voltage: AC100-277V
Item Weight: 23.59 lbs.(10.7KG)	Lifespan: >50000 Hours

Product size drawing

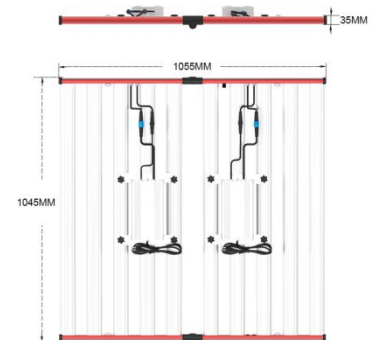
Product size:1055x1045x35mm



AGL-1000W

Actual Power: 1000w±5%	Materials: Aluminum
Perfect Coverage: 6x6ft@16"	Input Voltage: AC100-277V
Item Weight: 41.89 lbs.(19.7KG)	Lifespan: >50000 Hours

Product size drawing
1054x1045x35mm



Product Features



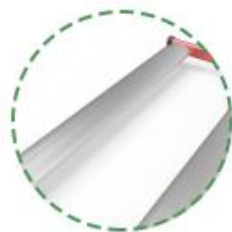
Daisy Chain Function

Connect 100 lamps with RJ14 ports for simultaneous control, commercial planting-friendly



180° Foldable

Quick installation, reduce labor cost



Aluminum Material

Fast heat dissipation, extend the lifespan

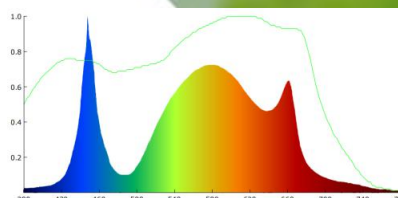


High Top Bin LEDs

High-performance diode, 2.9µmol/J PPE

BEST COMMERCIAL LED GROW LIGHT SOLUTIONS

Replace traditional HPS HID CMH grow lights with eco price



Product Parameter

➤ The following A/B/C options refer to different models for the same wattage. The main difference is the LED brand, LED quantity, and some other parameters. Please refer to the table below for specification.

Model Number	AGL-400W	AGL-650W	AGL-800W	AGL-1000W
Input Voltage	AC100-277V / 50-60HZ			
Input Wattage	400W±5%	650W±5%	800W±5%	1000 W±5%
Amp	AC120V-3.5 A AC220V-1.88A	AC120V-5.3 A AC220V-2.84A	AC120V-7.08A AC220V-3.75A	AC120V-8.33A/ AC220V-4.45A
LED Quantity	A:1152 pcs B: 1280 pcs C: 1440 pcs	A:1728 pcs B: 2040 pcs C: 2160 pcs	A:2304 pcs B: 2720 pcs C: 2880 pcs	A: 2880pcs C: 3600 pcs
Led Ratio	A: White (4000K) + Red(650-660nm) + IR (730-740nm) B: White (4000K) + Red (650-660nm) C: Samsung lm301B (4000K) + Osram Red 660nm			
Lamp Size (MM)	1050×605×88	1055×1050×85	1055×1050×88	1055×1050×88
N.W. (KG)	6.7	9.35	10.7	14.5
Single Package (CM)	111*37*13	111*60*13	111*60*13	111*60*17
G.W. (KG)	8.5	13.3	15.45	19
Dimming Signal	0-10V	0-10V	0-10V	0-10V
Dimming Level	25%-50%-75%-100%			
PPFD (μmol/s)	A:1080 B:1120 C:1160	A:1674 B:1764 C:1885	A:2160 B:2240 C:2320	A:2700 C:2900
PPE (μmol/j)	2.7/2.8/2.9	2.7/2.8/2.9	2.7/2.8/2.9	2.7/2.8/2.9
Radiation Flux (mW)	A: 262239.22 B:242987.83 C: 261525.52	A: 373021.22 B:407843.44 C: 446996.97	A: 485448.47 B: 512897.63 C: 548361.31	A: 657458.31 C: 740305.06
Luminous Flux (lm)	A: 82472.95 B: 77110.72 C: 82066.76	A:117323.14 B: 128024.23 C: 139428.58	A: 153184.17 B: 161340.06 C: 171298.77	A: 200270.0 C: 231204.82
Lifespan (Hours)	50,000	50,000	50,000	50,000
Contents	Adjustable Hanging Rope RJ11signal wire-2m Stainless Hangers			
Warranty	3years	3years	3years	3years

Certification

intertek
INTEGRATED

AUTHORIZATION TO MARK

This authorizes the application of the Certification Mark(s) shown below in the models described in the Product(s) Covered section when made in accordance with the conditions set forth in the Certification Agreement and Listing Report. This authorization also applies to multiple states products identified on the condition page of the Listing Report.

This document is the property of Intertek Testing Services and is not transferable. The certification mark(s) may be applied only at the location of the Party Authorized To Apply Mark.

Applicant: Shenzhen Ameri Technology Co., Ltd.	Manufacturer: Shenzhen Ameri Technology Co., Ltd.
Address: 4/F, Building 4, Zhenhui Industrial Zone, #118 Changzhen Road, Yutang Street, Guangming District, Shenzhen City, Guangdong	Address: 4/F, Building 4, Zhenhui Industrial Zone, #118 Changzhen Road, Yutang Street, Guangming District, Shenzhen City, Guangdong
Country: China	Country: China
Contact: Jinyu Huang	Contact: Jinyu Huang
Phone: 13803001872	Phone: 13803001872
FAX: NA	FAX: NA
Email: jyhuang@aglex.com	Email: jyhuang@aglex.com

Party Authorized To Apply Mark: Same as Manufacturer
Report Issuing Office: Intertek Testing Services Shenzhen Limited Longhua Branch

Control Number: 8521033 Authorized by: [Signature] for L. Matthew Smith, Certification Manager



This document supersedes all previous Authorizations to Mark for the report number. This document authorizes the use of the ETL Intertek Certification Mark for the products described in the report. The use of the ETL Intertek Certification Mark is a privilege granted by Intertek to the applicant and is not a guarantee of performance. The use of the ETL Intertek Certification Mark is subject to the terms and conditions of the Intertek Certification Agreement and Listing Report. The use of the ETL Intertek Certification Mark is not a guarantee of performance. The use of the ETL Intertek Certification Mark is subject to the terms and conditions of the Intertek Certification Agreement and Listing Report.

Intertek Testing Services NA, Inc.
3435 Riverchase Way, Hoover, AL 36038
Telephone: (205) 962-1100 or (800) 435-6627 Fax: (205) 962-1107

Standard(s):	Luminaires [IEC 60598-2-21 Ed.3]
Standard(s):	Luminaires [OSHA 22.2120.0 2021 Ed.0]
Standard(s):	Horticultural Lighting Equipment and Systems [ANSI CANUL 809:2019 Ed.1]
Product:	Horticulture(L) luminaires
Model(s):	AGL-240W-MC, AGL-320W-MC, AGL-400W-MC, AGL-650W-MC, AGL-800W-MC, followed by 01, 02 or 03.

GTS Global United Technology Services Co., Ltd.

Report No.: GTS2021C70C0085F01

TEST REPORT

Applicant: Shenzhen Ameri Technology Co., Ltd.

Address of Applicant: 4/F, Building 4, Zhenhui Industrial Zone, #118 Changzhen Road, Yutang Street, Guangming District, Shenzhen City, Guangdong, China

Manufacturer/Factory: Shenzhen Ameri Technology Co., Ltd.

Address of Manufacturer/Factory: 4/F, Building 4, Zhenhui Industrial Zone, #118 Changzhen Road, Yutang Street, Guangming District, Shenzhen City, Guangdong, China

Equipment Under Test (EUT)

Product Name: Horticultural Luminaires

Model No.: AGL-240W-MCxx, AGL-320W-MCxx, AGL-400W-MCxx, AGL-650W-MCxx, AGL-800W-MCxx

Applicable standards: FCC CFR Title 47 Part 15 Subpart B

Date of sample receipt: July 08, 2021

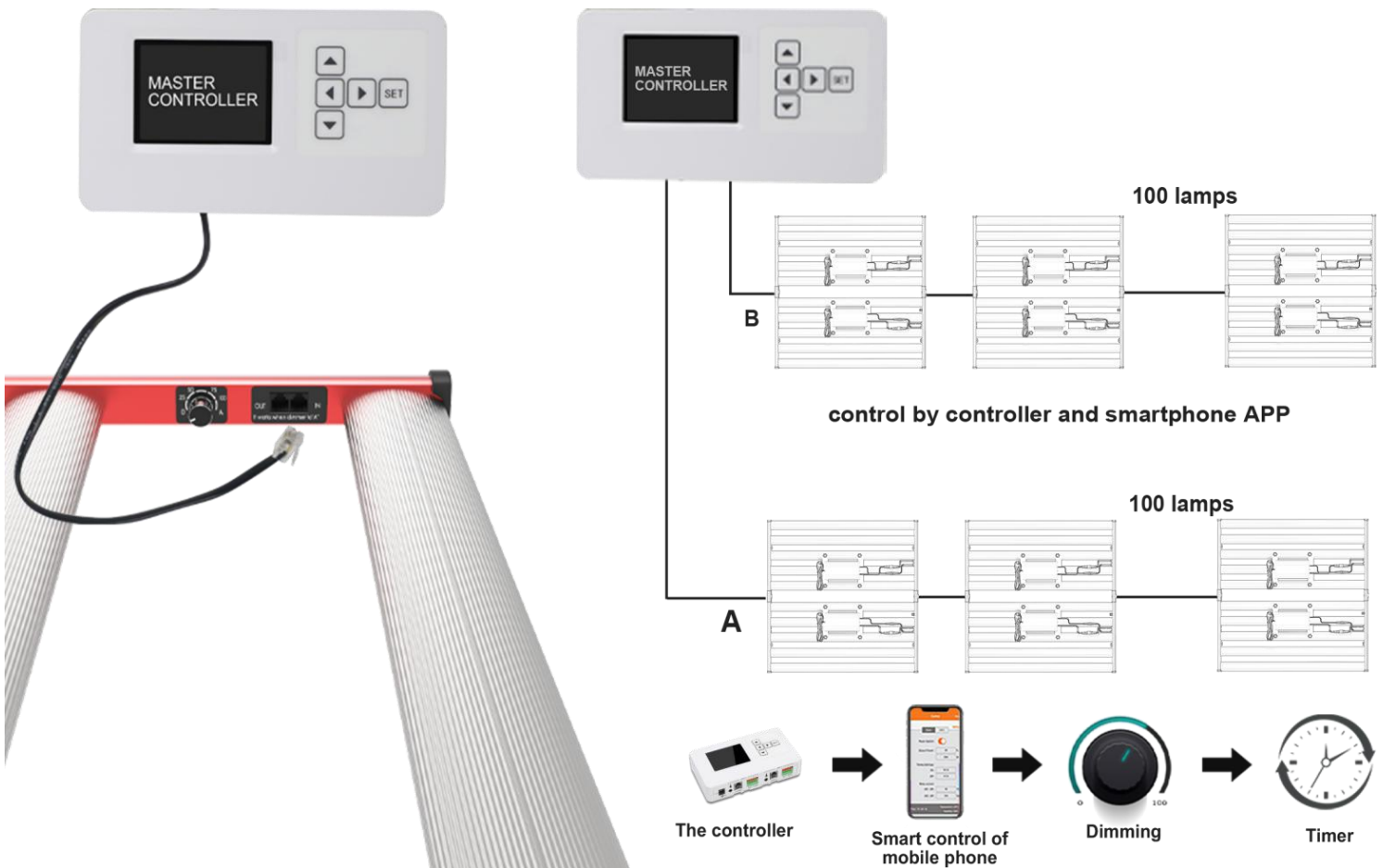
Date of Test: July 08-14, 2021

Date of report issued: July 15, 2021

Test Result : Pass *

* In the configuration tested, the EUT complied with the standards specified above.

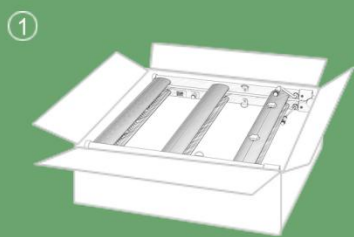
Daisy Chain Function



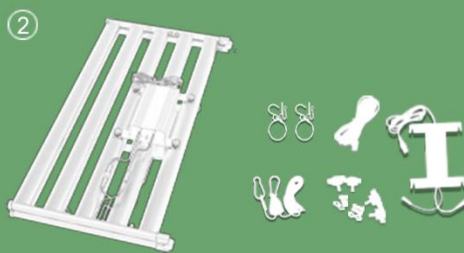
Application



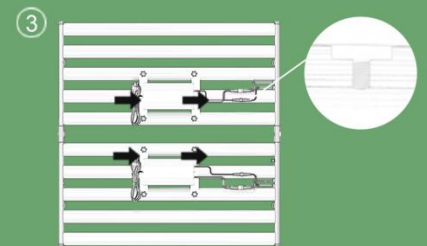
Installation Steps



Unboxing



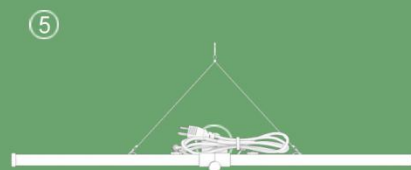
Lamp and accessories



180° unfolding plant lamp



Install the driver



Hang light with packed hanger



Plug to power on the lamp