

NS-8318P

自動電加熱式褲管壓平機

Automatic Electric Heated Legger Press



- 適用於褲管壓熨
- 鉸剪式動作，使操作速度靈巧
- 採用PLC配合人機對話界面(HMI)，多程式壓燙選擇
- 根據不同布料選擇不同壓熨方式：輕壓、重壓
- 上、下可噴蒸氣及蒸汽保溫設計，下模備抽濕功能
- 上模採用電加熱，工作溫度可達180°C
- 噴蒸汽孔分布均勻，使壓熨效果更佳

選購件：

NS-3400系列真空抽濕泵

- Suitable for pressing legger
- Scissor action design for fast operation
- Adopt PLC & user-friendly touch screen interface; multiple pressing programs available for selection
- Different pressing modes (light press, heavy press) to cater for different requirement of various fabrics
- Both upper and lower moulds can spray steam, plus heat preservation design; the lower mould could vacuum
- Upper mould is electric heated and the operating temperature can reach 180°C
- Uniformly distributed steam spraying holes make better pressing effect

Option:

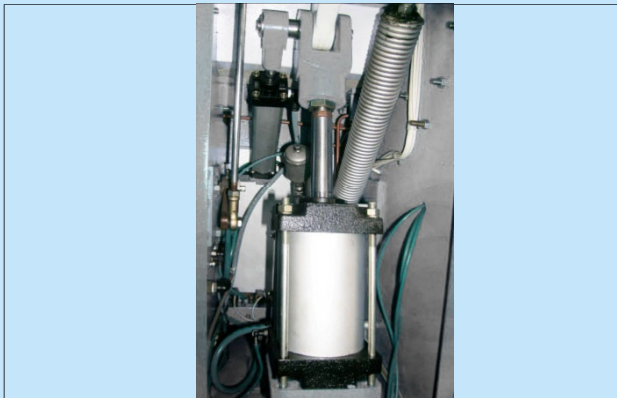
NS-3400 series vacuum pump



PLC可編程觸摸顯示屏
PLC & Touch Screen



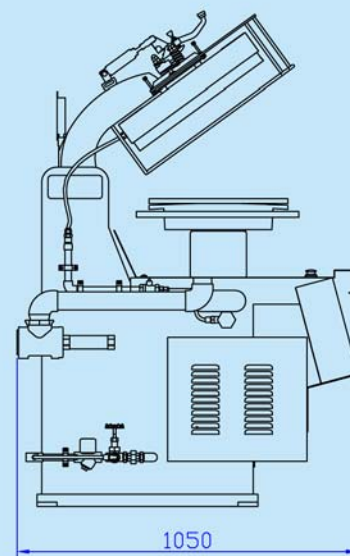
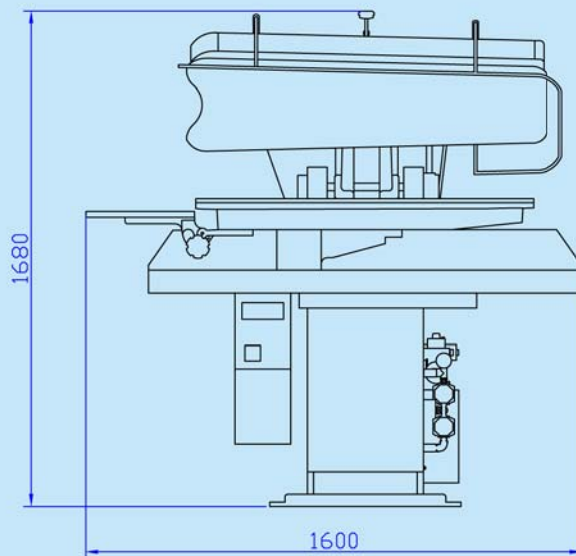
控制電箱
Electric Control Box



雙氣缸加壓系統
Double-cylinder pressing system



操作中
In working



型號 Model	電源 Power Supply	總功率(kW) Total Power	壓縮空氣壓力(kgf/cm ²) Compressed Air Pressure	耗壓縮空氣量(L/min) Compressed Air Consumption	耗蒸汽氣量(kg/hr) Steam Consumption	淨重(kg) Net Weight	機身尺寸(mm) Machine Size
NS-8318P	3PH/380V/50Hz	4.6	5	150	20	504	1600x1050x1680



藝誠(余氏)發展有限公司
Ngai Shing Development Limited

香港九龍長沙灣永康街52號地下
G/F., 52 Wing Hong St.,
Cheung Sha Wan, Kln., Hong Kong.

Tel: (852) 2741 9981, 2742 0078 E-MAIL: info@ngaishing.com
Fax: (852) 2785 3149 Http://www.ngaishing.com