

NS-8402P

自動恤衫側縫壓平機

Automatic Sleeve Side Seam Press



操作示范
Operation demonstration

- 適用於襯衫側縫粘合壓熨
- 采用PLC可編程控制器控制及人性化觸摸顯示屏操作
- 垂直加壓方式，壓力分佈均勻，壓熨更平整
- 輕壓、脈沖、重壓三種壓熨方式供選擇設定，可滿足不同面料需求
- 上模加熱采用六個獨立數字式溫度控制器控制，溫度控制更精確
- 下模氣袋配合耐壓的高溫矽膠條，可消除側縫壓熨時側縫與袖山底骨位的厚薄偏差，達到最佳壓熨效果
- 獨立真空抽濕泵，有助衣物定位、冷卻，定型效果佳
- 備有不同的側縫模，可來樣測試選擇合適的一款跟機模

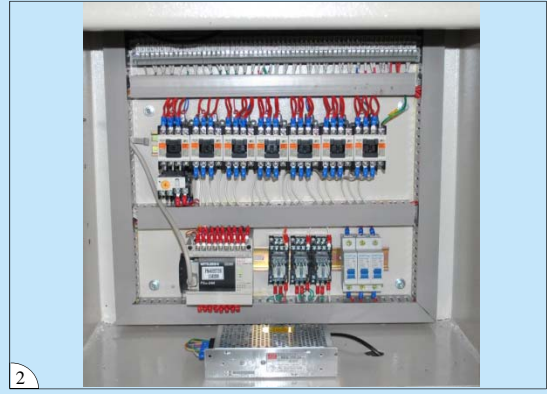
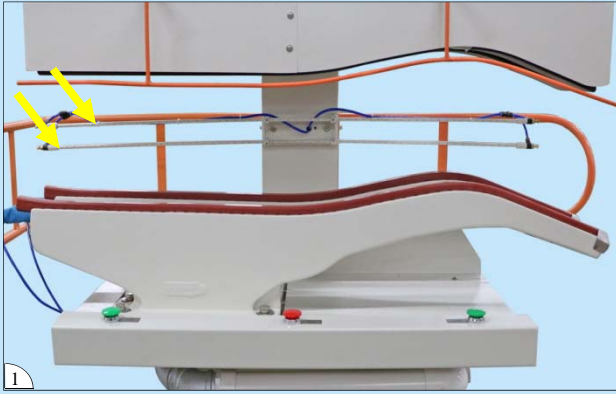
選購件:

- O-J-01-1 吹風冷卻系統(壓縮空氣)
- 各種側縫模(B款、C款、D款)

- Suitable for shirt side seam fusing and pressing
- Adopt PLC and user friendly touch screen for operation
- Vertical pressing mode provides uniform pressure distribution and smooth effect
- Three pressing modes, i.e. light press, pulse press and heavy press, are available for selection to cater for different fabrics
- With six independent digital thermostats for accurate temperature control of upper mould
- Lower mould airbag combined with pressure-proof high temperature silica rubber, can offset the thickness difference between side seam and under armhole seam, thereby to achieve perfect pressing effect
- With independent vacuum pump to facilitate garment fixing, cooling and shaping
- Different side seam moulds available for sample test and select one of them as standard

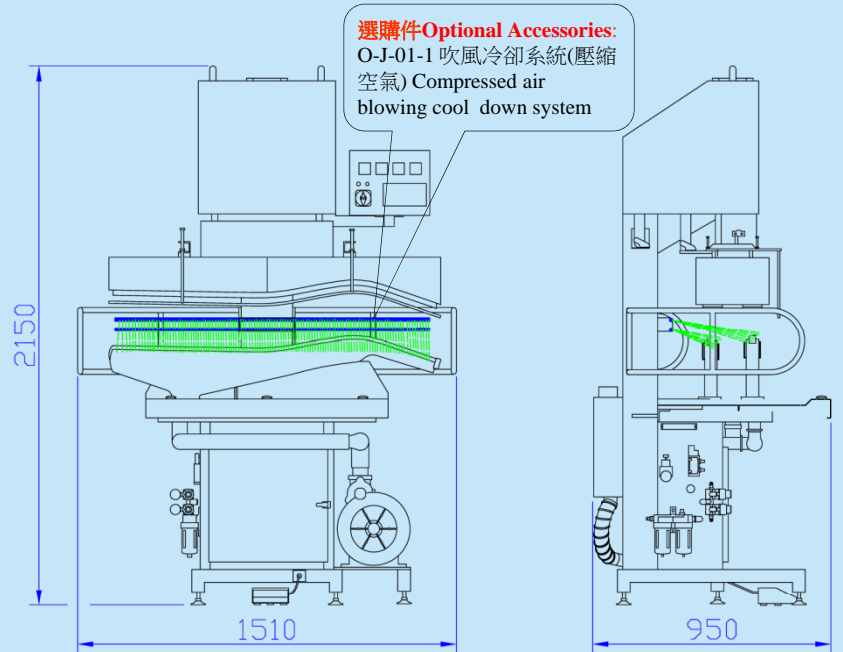
Optional Accessories:

- O-J-01-1 Compressed air blowing cool down system
- Various side seam moulds(type B, C, D)



- 1. 選購件：O-J-01-1 吹風冷卻系統(壓縮空氣)
- 2. PLC可編程控制器、優質電器元件
- 3. 獨立真空抽濕泵，有助衣物定位、冷卻，定型效果佳
- 4. 數字式溫度控制器、觸摸顯示屏操作控制面板

- 1. **Optional Accessories:** O-J-01-1 Compressed air blowing cool down system
- 2. PLC and high quality electric elements
- 3. Independent vacuum pump facilitates garment positioning, cooling and shaping
- 4. Digital thermostat and touch screen control panel



型號 Model	電源 Power Supply	總功率(kW) Total Power	發熱線功率 (kW) Heater Power	真空泵功率(kW) Vacuum Pump Power	壓縮空氣壓力(kgf/cm ²) Compressed Air Pressure	耗壓縮空氣量(L/min) Compressed Air Consumption	平均粘合壓力(kgf/cm ²) Average Fusing Pressure	淨重(kg) Net Weight	機身尺寸(mm) Machine Size
NS-8402P	3PH/380V/50Hz	5.2	4	1.1	5	316.5	2.5	550	1510x950x2150

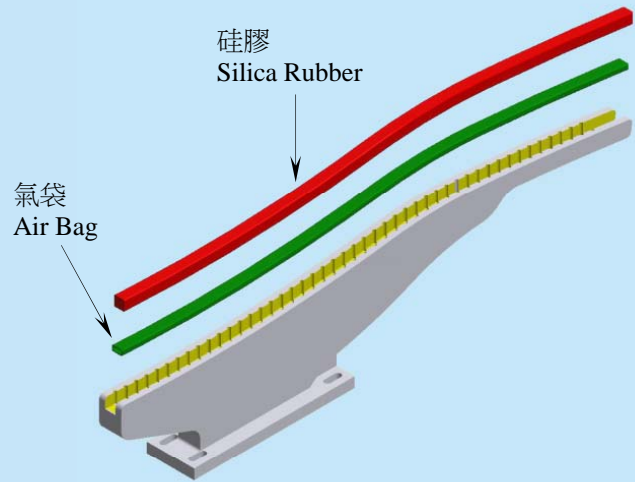


藝誠(余氏)發展有限公司
Ngai Shing Development Limited

香港九龍長沙灣永康街52號地下
G/F., 52 Wing Hong St.,
Cheung Sha Wan, Kln., Hong Kong.


Tel: (852) 2741 9981, 2742 0078 E-MAIL: info@ngaishing.com
Fax: (852) 2785 3149 Http://www.ngaishing.com

特別設計下模，可消除側縫壓熨時側縫與袖山底骨位的厚薄偏差Unique design of the lower mould can offset the thickness difference between side seam and under armhole seam

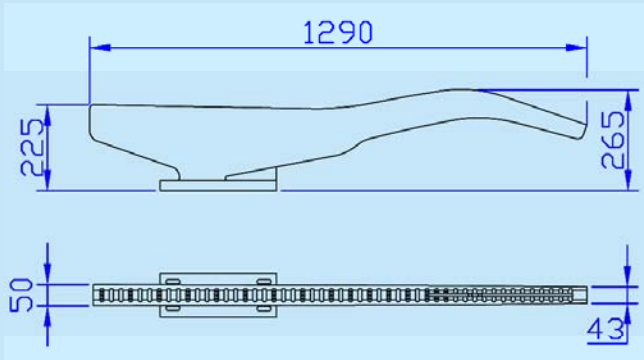


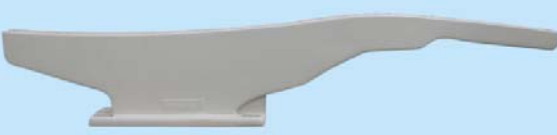
選購件 (每款模包括一對上模和一對下模)

Optional Accessories (Each type consists of a pair of upper moulds and a pair of lower moulds)

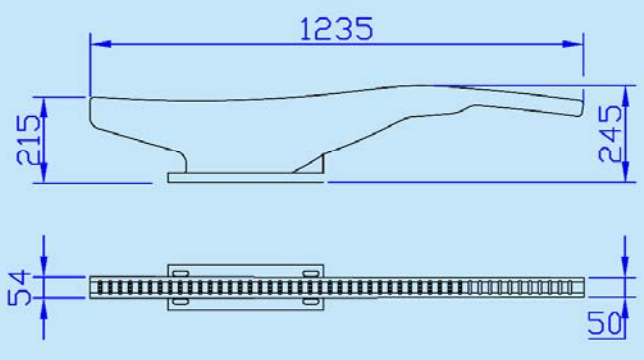



B款下模
Lower mould Type B
編號：M05040302B



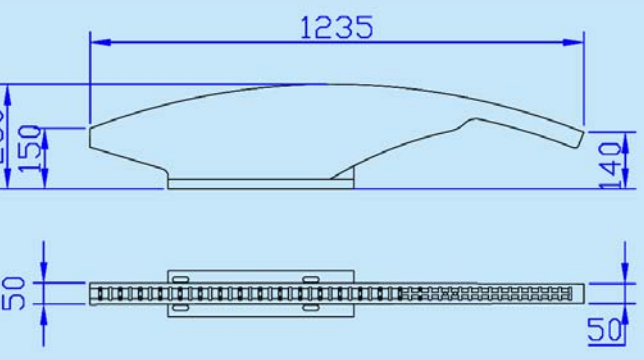


C款下模 (標準跟機模)
Lower mould Type C (Standard)
編號：M05040303C





D款下模
Lower mould Type D
編號：M05040304D



*